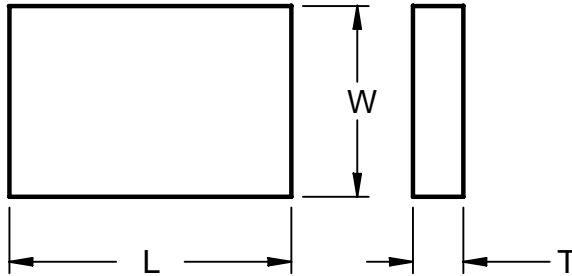
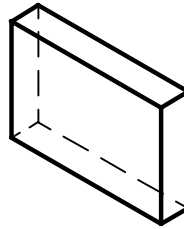


**DIMENSIONAL TOLERANCES**

.062 to .383 ±.007  
 .448 to 1.00 ±.010  
 1.062 & up ±.020

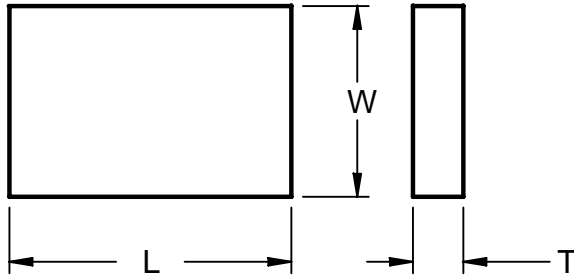
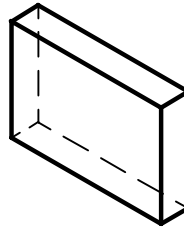
Insert	L	W	T	L	W	T	Notes
1010	5/8	1/8	1/16	.635	.133	.070	
1015	1/4	5/32	1/16	.258	.164	.070	
1020	1/4	3/16	1/16	.258	.196	.070	
1024	1/2	3/16	1/16	.510	.196	.075	
1025	1/4	1/4	1/16	.258	.258	.070	
1030	5/16	1/4	1/16	.320	.258	.070	
1035	3/4	1/8	3/32	.760	.133	.102	
1040	5/16	3/16	3/32	.320	.196	.102	
1045	5/16	1/4	3/32	.320	.258	.102	
1050	1/2	3/16	3/32	.510	.196	.102	
1060	3/8	1/4	3/32	.383	.258	.102	
1070	1/2	1/4	3/32	.510	.258	.102	
1080	3/8	5/16	3/32	.383	.320	.102	
1090	3/8	3/8	3/32	.383	.383	.102	
1100	1/2	3/8	3/32	.510	.383	.102	
1105	1/2	7/16	3/32	.510	.448	.102	
1107	1/2	3/16	1/8	.510	.196	.133	
1109	5/8	3/16	1/8	.635	.196	.133	
1110	3/4	3/16	1/8	.760	.196	.133	
1120	1/2	1/4	1/8	.510	.258	.133	
1130	5/8	1/4	1/8	.635	.258	.133	
1140	3/4	1/4	1/8	.760	.258	.133	
1150	7/16	5/16	1/8	.448	.320	.133	
1160	1/2	5/16	1/8	.510	.320	.133	
1170	5/8	5/16	1/8	.635	.320	.133	



**DIMENSIONAL TOLERANCES**

.062 to .383 ±.007  
 .448 to 1.00 ±.010  
 1.062 & up ±.020

Insert	L	W	T	L	W	T	Notes
1180	1/2	3/8	1/8	.510	.383	.133	
1190	3/4	3/8	1/8	.760	.383	.133	
1200	1/2	1/2	1/8	.510	.510	.133	
1210	3/4	1/2	1/8	.760	.510	.133	
1215	3/4	3/4	1/8	.760	.760	.133	
1220	9/16	3/8	5/32	.572	.383	.164	
1230	3/4	3/4	5/32	.760	.383	.164	
1240	5/8	5/8	5/32	.635	.635	.164	
1244	1/2	1/2	3/16	.510	.258	.196	
1250	7/16	5/16	3/16	.448	.320	.196	
1260	5/8	5/16	3/16	.635	.320	.196	
1270	1/2	3/8	3/16	.510	.383	.196	
1280	5/8	3/8	3/16	.635	.383	.196	
1290	3/4	3/8	3/16	.760	.383	.196	
1291	7/8	3/8	3/16	.885	.383	.196	
1300	5/8	7/16	3/16	.635	.448	.196	
1310	13/16	7/16	3/16	.822	.448	.196	
1320	1/2	1/2	3/16	.510	.510	.196	
1330	3/4	1/2	3/16	.760	.510	.196	
1340	3/4	3/4	3/16	.760	.760	.196	
1350	9/16	3/8	1/4	.572	.383	.258	
1360	3/4	3/8	1/4	.760	.383	.258	
1370	5/8	7/16	1/4	.635	.448	.258	
1380	3/4	1/2	1/4	.760	.510	.258	
1390	1	9/16	1/4	1.010	.572	.258	



**DIMENSIONAL TOLERANCES**

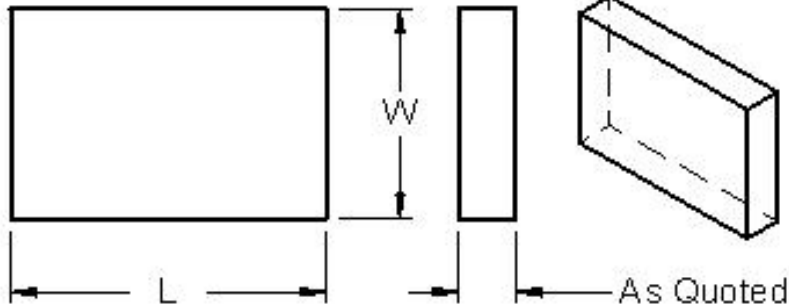
.062 to .383 ±.007  
 .448 to 1.00 ±.010  
 1.062 & up ±.020

Insert	L	W	T	L	W	T	Notes
1400	5/8	5/8	1/4	.635	.635	.258	
1405	3/4	3/4	1/4	.760	.760	.258	
1410	1	3/4	1/4	1.010	.760	.258	
1415	1	1	1/4	1.010	1.010	.258	
1420	5/8	5/8	5/16	.635	.448	.320	
1430	15/16	7/16	5/16	.948	.448	.320	
1440	3/4	1/2	5/16	.760	.510	.320	
1450	1	1/2	5/16	1.010	.510	.320	
1460	1	5/8	5/16	1.010	.635	.320	
1470	3/4	3/4	5/16	.760	.760	.320	
1475	1	3/4	5/16	1.010	.760	.320	
1480	1-1/4	3/4	5/16	1.270	.760	.320	
1490	3/4	1/2	3/8	.760	.510	.383	
1500	1	1/2	3/8	1.010	.510	.383	
1510	1	5/8	3/8	1.010	.635	.383	
1515	1-1/4	5/8	3/8	1.270	.635	.383	
1520	1-1/4	3/4	3/8	1.270	.760	.383	
1525	1-1/2	3/4	3/8	1.520	.760	.383	
1530	1	3/4	1/2	1.010	.760	.510	
1540	1-1/4	3/4	1/2	1.270	.760	.510	
1550	1-1/2	3/4	1/2	1.520	.760	.510	

# Tungste-Met

Style

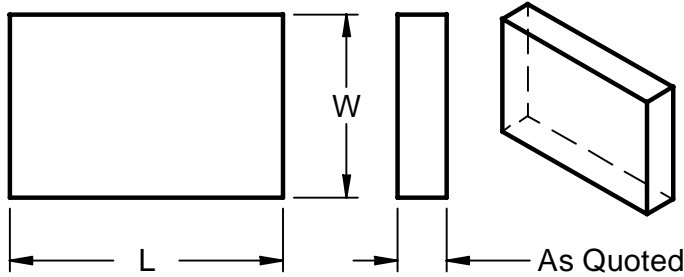
**NON-STANDARD  
RECTANGLES**



### DIMENSIONAL TOLERANCES

.062 to .383 ±.007  
.448 to 1.00 ±.010  
1.062 & up ±.020

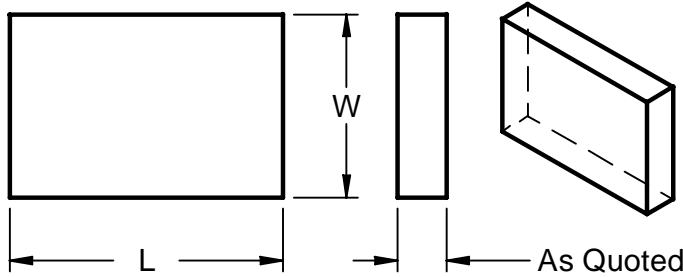
Insert	W	L					Notes
1/16 X 1/4	.068	.257					
1/16 X 3/4	.069	.765					
1/16 X 1-1/4	.066	1.270					
1/16 X 1-1/2	.075	1.523					
3/32 X 13/64	.112	.221					
3/32 X 1/4	.100	.260					
3/32 X 5/16	.100	.322					
3/32 X 1/2	.099	.510					
3/32 X 3/4	.114	.777					
3/32 X 13/16	.099	.824					
3/32 X 1	.100	1.010					
3/32 X 1-1/16	.098	1.078					
3/32 X 1-1/4	.098	1.270					
3/32 X 1-3/8	.102	1.375					
3/32 X 2	.114	2.030					
3/32 X 2-1/2	.119	2.520					
1/8 X 3/16	.133	.192					
1/8 X 5/16	.151	.330					
1/8 X 3/8	.132	.385					
1/8 X 1/2	.135	.510					
1/8 X 5/8	.142	.638					
1/8 X 11/16	.135	.700					
1/8 X 3/4	.144	.765					
1/8 X 7/8	.138	.887					
1/8 X 1	.135	1.020					



### DIMENSIONAL TOLERANCES

.062 to .383 ±.007  
.448 to 1.00 ±.010  
1.062 & up ±.020

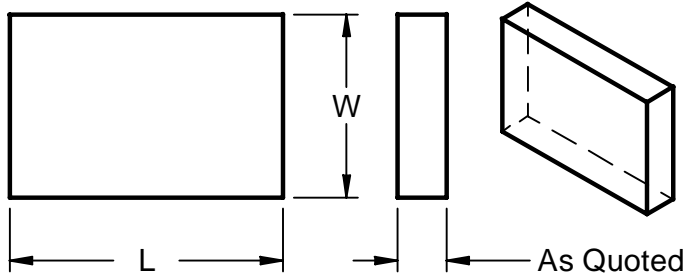
Insert	W	L					Notes
1/8 X 1-1/16	.140	1.075					
1/8 X 1-1/8	.151	1.145					
1/8 X 1-1/4	.138	1.285					
1/8 X 1-1/2	.143	1.520					
1/8 X 2	.146	2.046					
9/64 X 3-7/32	.162	3.227					
9/64 X 3-11/32	.152	3.415					
5/32 X 3/16	.163	.194					
5/32 X 5/16	.151	.330					
5/32 X 3/8	.168	.390					
5/32 X 1/2	.163	.510					
5/32 X 5/8	.165	.635					
5/32 X 3/4	.166	.780					
5/32 X 7/8	.164	.890					
5/32 X 1	.171	1.020					
11/64 X 25/32	.181	.797					
11/64 X 1	.183	1.020					
3/16 X 3/16	.200	.200					
3/16 X 3/8	.195	.385					
3/16 X 7/16	.194	.448					
3/16 X 17/32	.198	.540					
3/16 X 5/8	.197	.635					
3/16 X 3/4	.210	.760					
3/16 X 13/16	.194	.824					
3/16 X 7/8	.194	.889					



### DIMENSIONAL TOLERANCES

.062 to .383 ±.007  
.448 to 1.00 ±.010  
1.062 & up ±.020

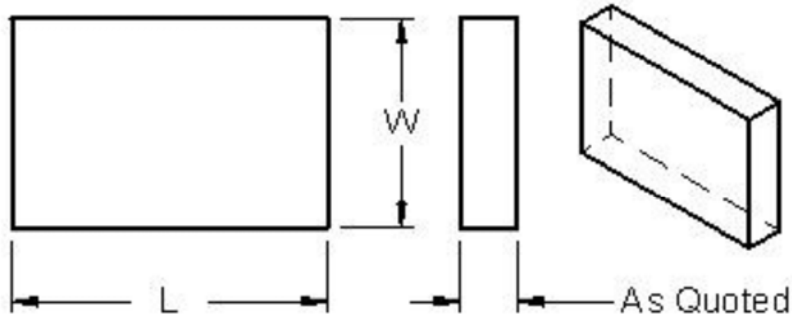
Insert	W	L					Notes
3/16 X 1	.194	1.010					
3/16 X 1-1/8	.202	1.158					
3/16 X 1-1/4	.203	1.267					
3/16 X 1-5/16	.194	1.328					
3/16 X 1-3/8	.197	1.395					
3/16 X 1-1/2	.199	1.518					
3/16 X 2	.204	2.035					
13/64 X 3/4	.223	.770					
7/32 X 7/32	.230	.230					
7/32 X 5/16	.233	.327					
7/32 X 3/8	.228	.385					
7/32 X 1/2	.229	.514					
1/4 X 7/16	.258	.448					
1/4 X 9/16	.272	.588					
1/4 X 11/16	.273	.713					
1/4 X 25/32	.267	.789					
1/4 X 13/16	.260	.828					
1/4 X 7/8	.258	.885					
1/4 X 31/32	.268	.977					
1/4 X 1	.265	1.020					
1/4 X 1-1/4	.272	1.286					
1/4 X 1-5/16	.292	1.318					
1/4 X 1-1/2	.271	1.520					
1/4 X 1-9/16	.267	1.568					
1/4 X 1-5/8	.275	1.645					



### DIMENSIONAL TOLERANCES

.062 to .383 ±.007  
.448 to 1.00 ±.010  
1.062 & up ±.020

Insert	W	L					Notes
1/4 X 1-3/4	.265	1.780					
1/4 X 2	.260	2.020					
1/4 X 2-1/4	.275	2.273					
1/4 X 2-1/2	.260	2.530					
1/4 X 3	.268	3.025					
9/32 X 3/8	.292	.395					
5/16 X 5/16	.319	.319					
5/16 X 17/32	.330	.554					
5/16 X 21/32	.328	.682					
5/16 X 3/4	.325	.765					
5/16 X 25/32	.321	.790					
5/16 X 7/8	.320	.888					
5/16 X 1	.320	1.020					
5/16 X 1-1/4	.327	1.272					
5/16 X 1-5/16	.326	1.328					
5/16 X 1-1/2	.329	1.517					
5/16 X 1-9/16	.338	1.568					
5/16 X 1-3/4	.319	1.765					
5/16 X 2	.322	2.020					
5/16 X 2-1/16	.331	2.081					
3/8 X 3/8	.392	.392					
3/8 X 7/16	.385	.447					
3/8 X 11/16	.385	.705					
3/8 X 25/32	.398	.784					
3/8 X 57/64	.397	.903					

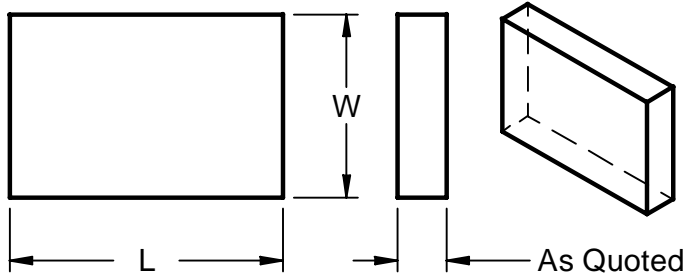


### DIMENSIONAL TOLERANCES

.062 to .383 ±.007  
 .448 to 1.00 ±.010  
 1.062 & up ±.020

Insert	W	L					Notes
3/8 X 1	.400	1.040					
3/8 X 1-1/8	.389	1.152					
3/8 X 1-1/4	.393	1.279					
3/8 X 1-3/8	.384	1.390					
3/8 X 1-1/2	.392	1.540					
3/8 X 1-3/4	.392	1.770					
3/8 X 2	.392	2.025					
3/8 X 2-1/4	.390	2.280					
3/8 X 2-1/2	.390	2.530					
13/32 X 1/2	.417	.513					
13/32 X 1-9/16	.420	1.563					
7/16 X 3/4	.450	.765					
7/16 X 7/8	.452	.890					
7/16 X 1	.452	1.038					
7/16 X 1-3/4	.447	1.780					
15/32 X 1-1/2	.482	1.520					
31/64 X 51/64	.483	.798					
1/2 X 5/8	.512	.635					
1/2 X 25/32	.520	.781					
1/2 X 13/16	.517	.830					
1/2 X 7/8	.513	.892					
1/2 X 1-1/32	.528	1.056					
1/2 X 1-1/16	.520	1.092					
1/2 X 1-1/4	.515	1.267					
1/2 X 1-5/16	.528	1.312					





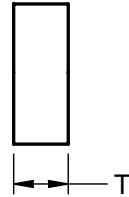
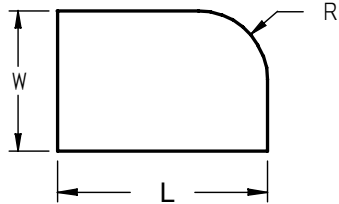
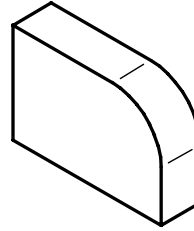
### DIMENSIONAL TOLERANCES

.062 to .383  $\pm$ .007  
.448 to 1.00  $\pm$ .010  
1.062 & up  $\pm$ .020

Insert	W	L					Notes
1/2 X 1-3/8	.510	1.395					
1/2 X 1-1/2	.518	1.535					
1/2 X 1-9/16	.531	1.577					
1/2 X 1-3/4	.530	1.765					
1/2 X 1-7/8	.525	1.910					
1/2 X 2	.530	2.015					
1/2 X 2-1/4	.525	2.285					
1/2 X 2-1/2	.535	2.520					
35/64 X 7/8	.553	.900					
9/16 X 9/16	.577	.577					
9/16 X 3/4	.572	.760					
9/16 X 2-1/2	.582	2.540					
5/8 X 23/32	.648	.721					
5/8 X 3/4	.635	.762					
5/8 X 7/8	.637	.898					
5/8 X 1-1/8	.633	1.145					
5/8 X 1-1/2	.635	1.521					
5/8 X 1-3/4	.642	1.780					
5/8 X 1-7/8	.640	1.905					
5/8 X 2	.645	2.020					
5/8 X 2-13/32	.642	2.425					
3/4 X 7/8	.765	.890					
3/4 X 57/64	.775	.905					
3/4 X 1-5/32	.768	1.176					
3/4 X 1-3/4	.760	1.780					



W (Width)	R (Rad.)
1/8 Thru 1/4	1/8
9/32 Thru 3/8	3/16
Over 3/8	1/4

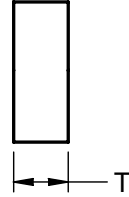
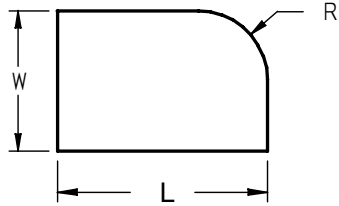
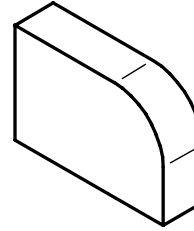


DIMENSIONAL TOLERANCES	
UP to 3/8	+ .015-.000
3/8 - 1	+ .020-.000
1 and up	+ .040-.000

## STYLE 2000

Insert	L	W	T	L	W	T	Notes
2000	1	1/2	1/8	1.012	.510	.133	
2010	5/8	1/8	1/16	.635	.133	.070	
2015	1/4	5/32	1/13	.258	.164	.070	
2020	1/4	3/16	1/16	.258	.196	.070	
2030	5/16	1/4	1/16	.320	.258	.070	
2040	5/16	3/16	3/32	.320	.196	.102	
2050	1/2	3/16	3/32	.510	.196	.102	
2060	3/8	1/4	3/32	.383	.258	.102	
2070	1/2	1/4	3/32	.510	.258	.102	
2080	3/8	5/16	3/32	.383	.320	.102	
2090	3/8	3/8	3/32	.383	.383	.102	
2100	1/2	3/8	3/32	.510	.383	.102	
2105	1/2	7/16	3/32	.510	.448	.102	
2110	3/4	3/16	1/8	.760	.196	.133	
2118	7/16	1/4	1/8	.448	.258	.133	
2120	1/2	1/4	1/8	.510	.258	.133	
2130	5/8	1/4	1/8	.635	.258	.133	
2140	3/4	1/4	1/8	.760	.258	.133	
2150	7/16	5/16	1/8	.448	.320	.133	
2160	1/2	5/16	1/8	.510	.320	.133	
2170	5/8	5/16	1/8	.635	.320	.133	
2180	1/2	3/8	1/8	.510	.383	.133	
2190	3/4	3/8	1/8	.760	.383	.133	
2200	1/2	1/2	1/8	.510	.510	.133	
2210	3/4	1/2	1/8	.760	.510	.133	

W (Width)	R (Rad.)
1/8 Thru 1/4	1/8
9/32 Thru 3/8	3/16
Over 3/8	1/4



DIMENSIONAL TOLERANCES	
UP to 3/8	+ .015-.000
3/8 - 1	+ .020-.000
1 and up	+ .040-.000

## STYLE 2000

Insert	L	W	T	L	W	T	Notes
2215	3/4	3/4	1/8	.760	.760	.133	
2220	9/16	3/8	5/32	.572	.383	.164	
2230	3/4	3/8	5/32	.760	.383	.164	
2240	5/8	5/8	5/32	.635	.635	.164	
2250	7/16	5/16	3/16	.448	.320	.196	
2260	5/8	5/16	3/16	.635	.320	.196	
2270	1/2	3/8	3/16	.510	.383	.196	
2280	5/8	3/8	3/16	.635	.383	.196	
2290	3/4	3/8	3/16	.760	.383	.196	
2300	5/8	7/16	3/16	.635	.448	.196	
2310	13/16	7/16	3/16	.822	.448	.196	
2320	1/2	1/2	3/16	.510	.510	.196	
2330	3/4	1/2	3/16	.760	.510	.196	
2340	3/4	3/4	3/16	.760	.760	.196	
2350	9/16	3/8	1/4	.572	.383	.258	
2360	3/4	3/8	1/4	.760	.383	.258	
2390	1	9/16	1/4	1.010	.572	.258	
2410	1	3/4	1/4	1.010	.760	.258	
2430	15/16	7/16	5/16	.948	.448	.320	
2440	3/4	1/2	5/16	.760	.510	.320	
2450	1	1/2	5/16	1.010	.510	.320	
2460	1	5/8	5/16	1.010	.635	.320	
2480	1-1/4	3/4	5/16	1.270	.760	.320	
2550	1-1/2	3/4	1/2	1.520	.760	.510	









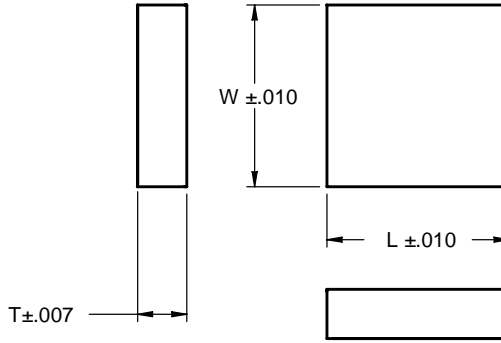






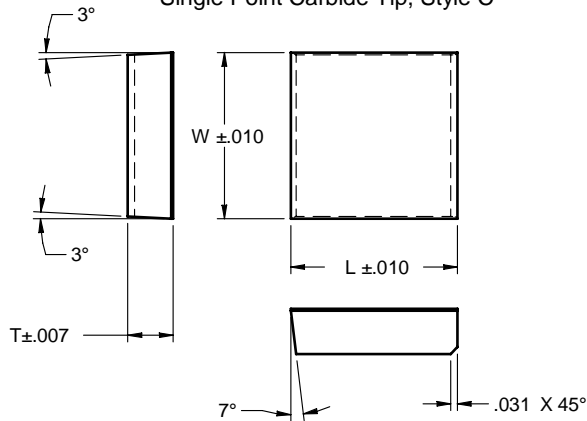


Single Point Carbide Tip, Style C



Insert	T	W	L				Notes
C-4	.064	.258	.320				Style 1030
C-5	.102	.320	.383				Style 1080
C-6	.102	.383	.383				Style 1090
C-7	.102	.448	.510				Style 1105
C-64	.268	.757	.757				Style 1405
C-66	.320	.757	.757				Style 1470
C-86	.320	1.010	.760				Style 1475

Single Point Carbide Tip, Style C

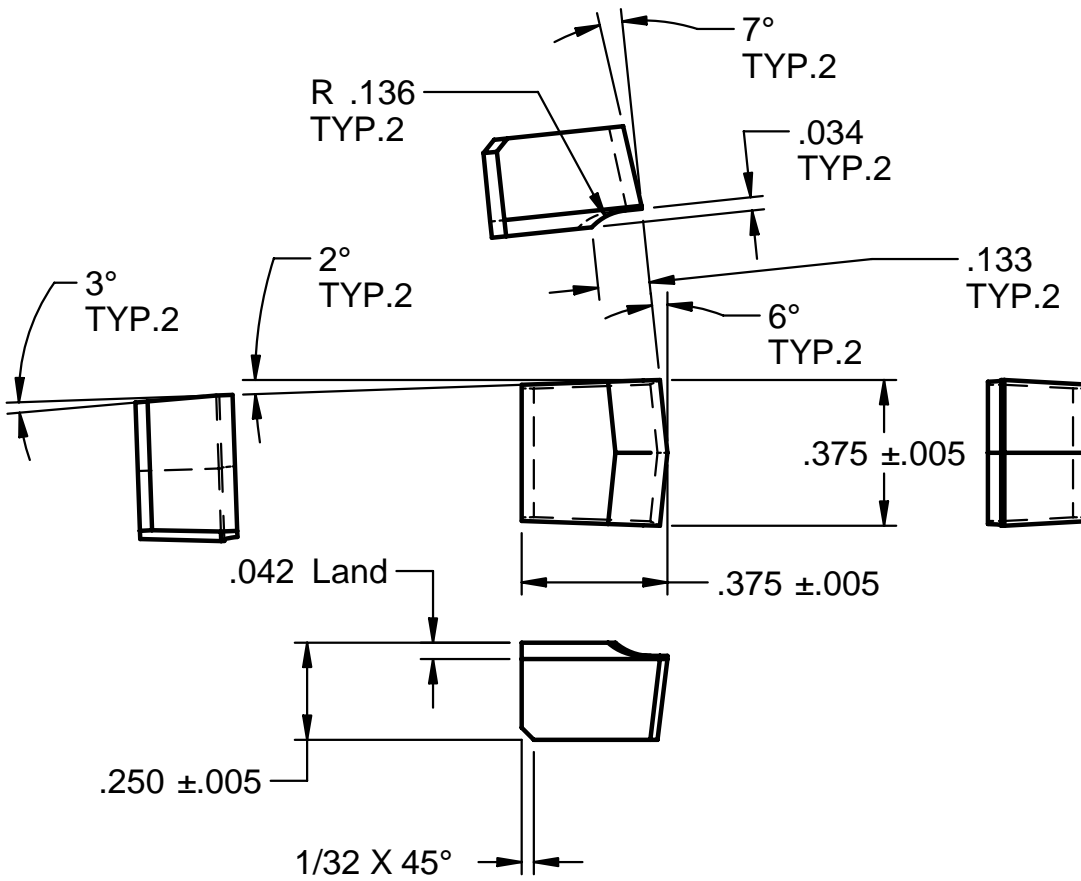


Insert	T	W	L				Notes
C-8	.143	.508	.508				
C-10	.164	.632	.632				
C-12	.206	.762	.762				
C-16	.268	1.015	.762				
C-44	.206	.508	.508				
C-54	.268	.632	.632				
C-55	.268	.632	.632				



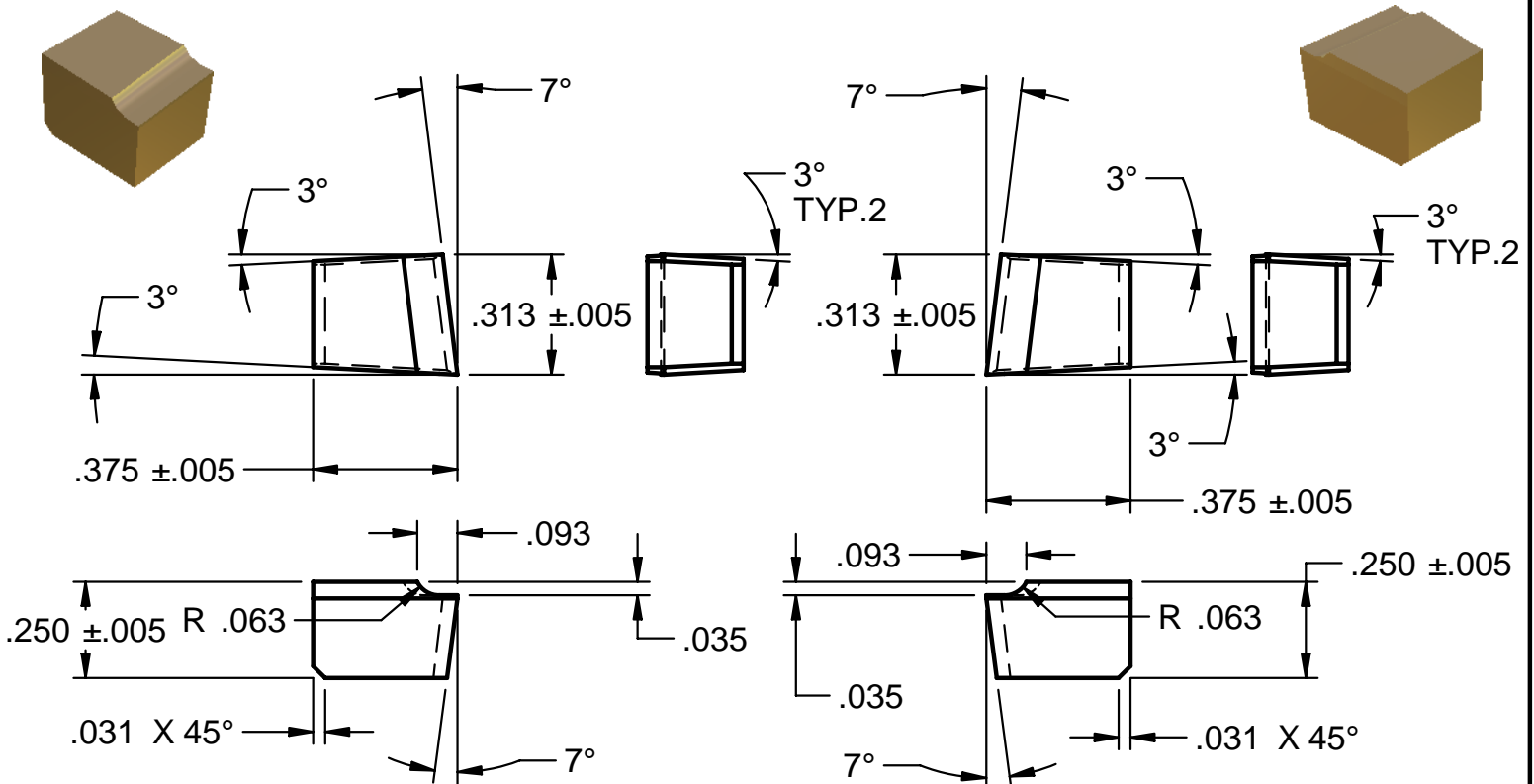
Tungste-Met

Style LX-1218-1



Tungste-Met

Style LX-1511-5-9-12 & LX-1511-6-10-11

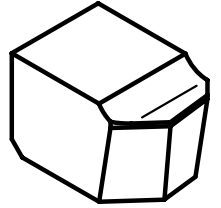
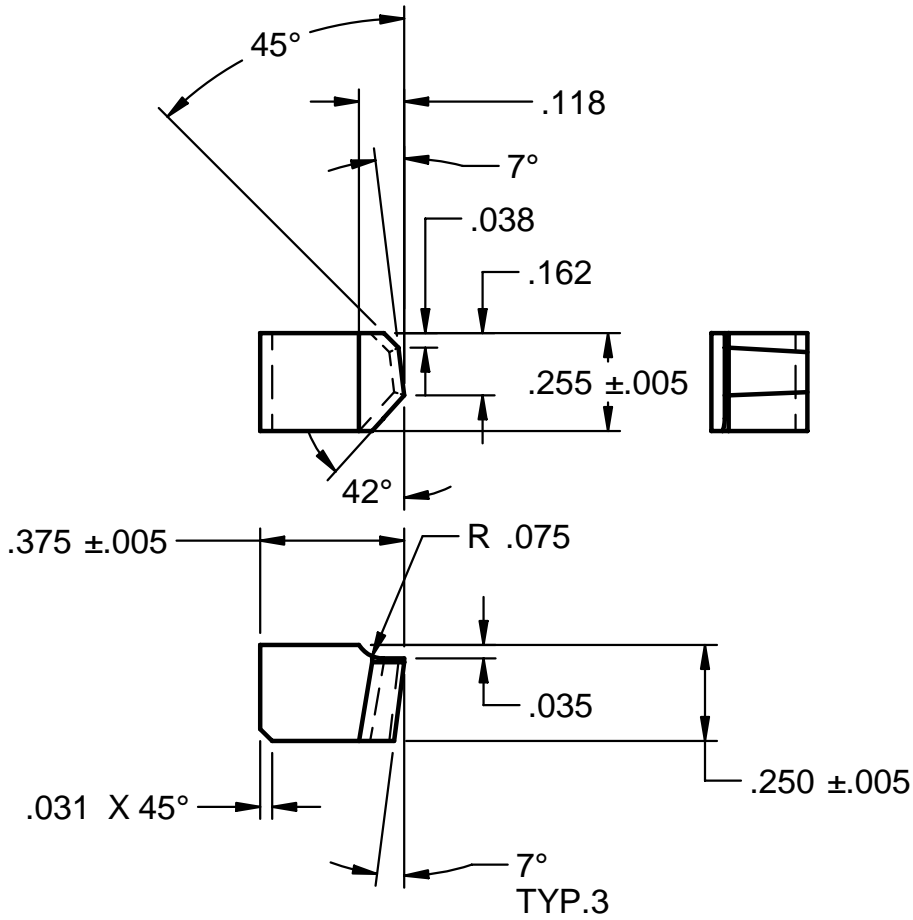


LX-1511-5-9-12 RH

LX-1511-6-10-11LH

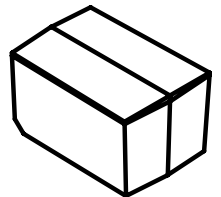
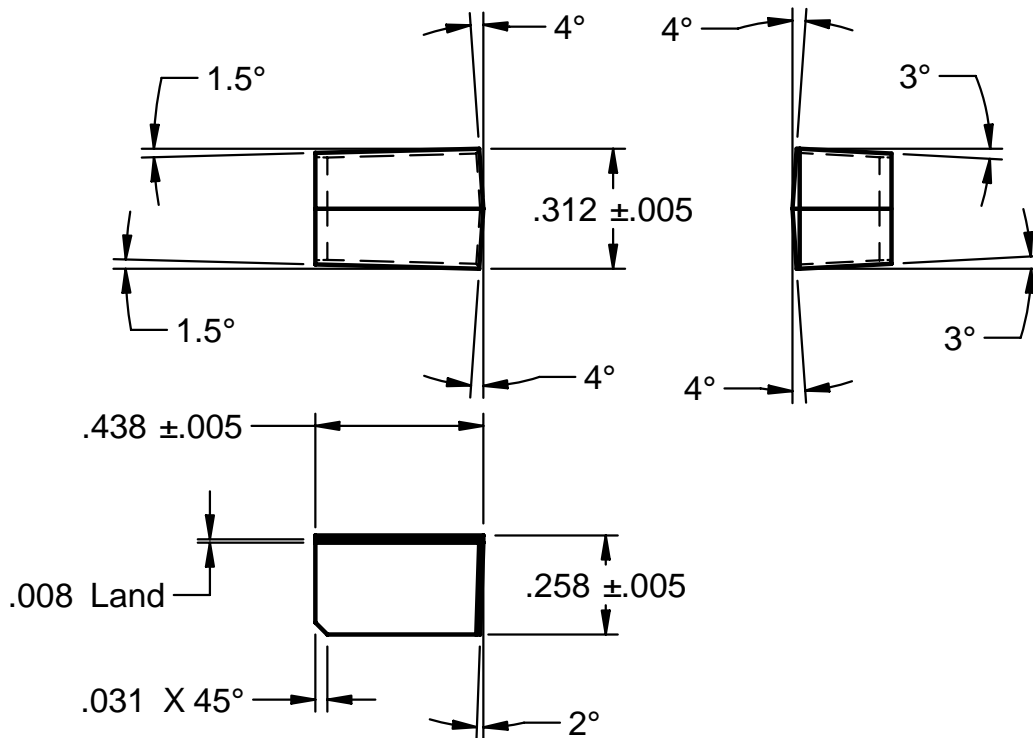
Tungste-Met

Style LX-1511-4-8



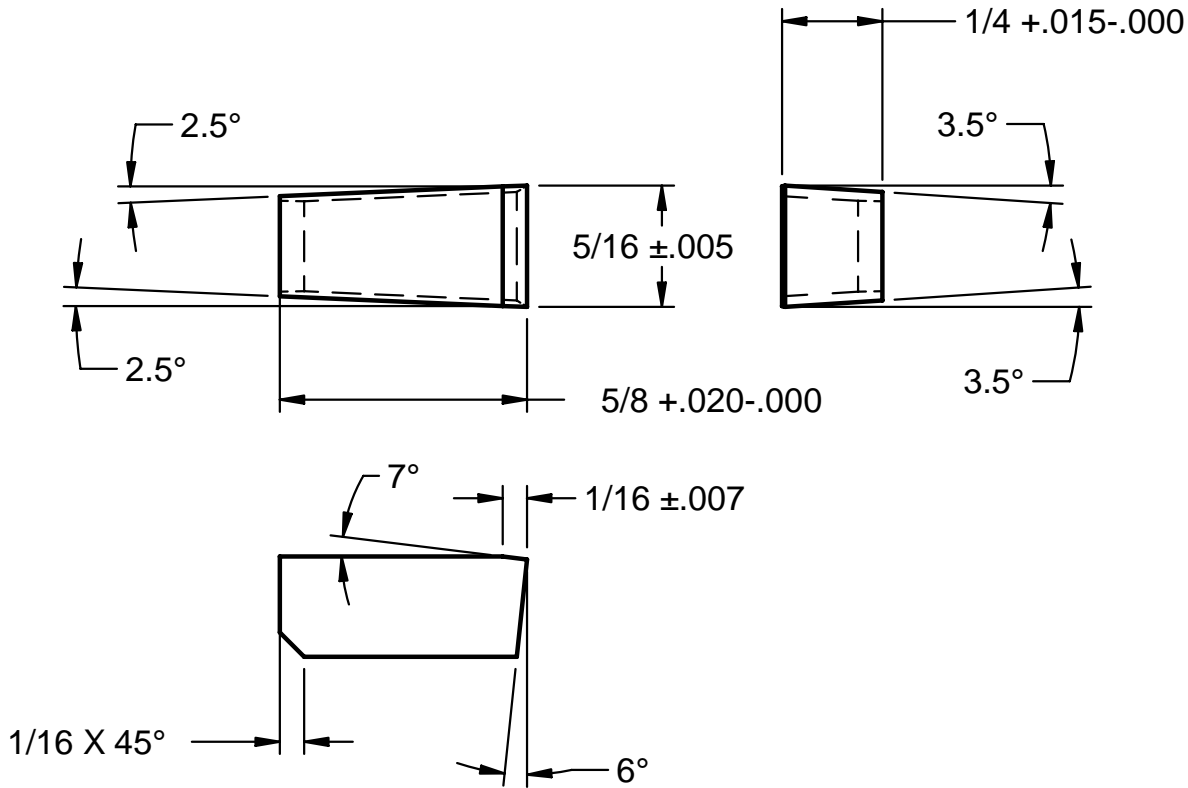
Tungste-Met

Style LX-0467-2



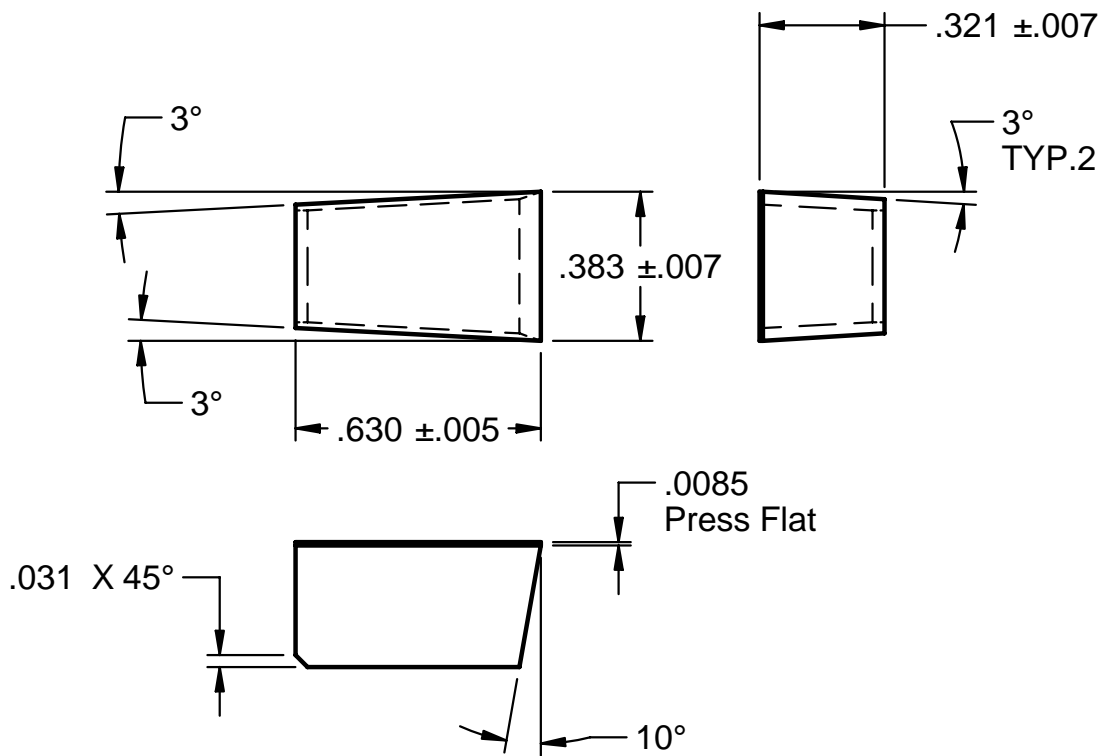
Tungste-Met

Style LX-0322



Tungste-Met

Style A-1799-A-1

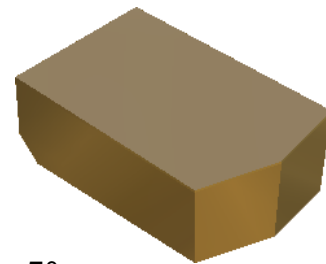
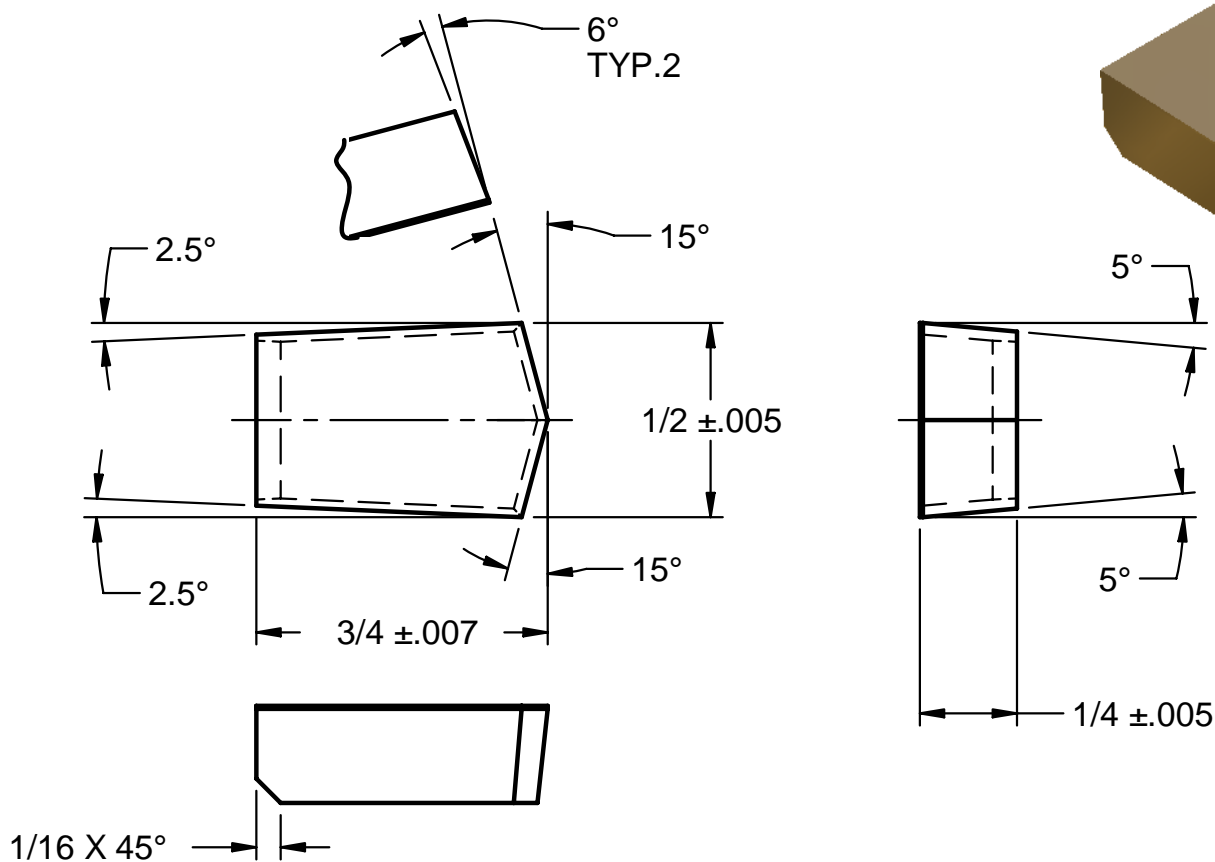




Tungste-Met

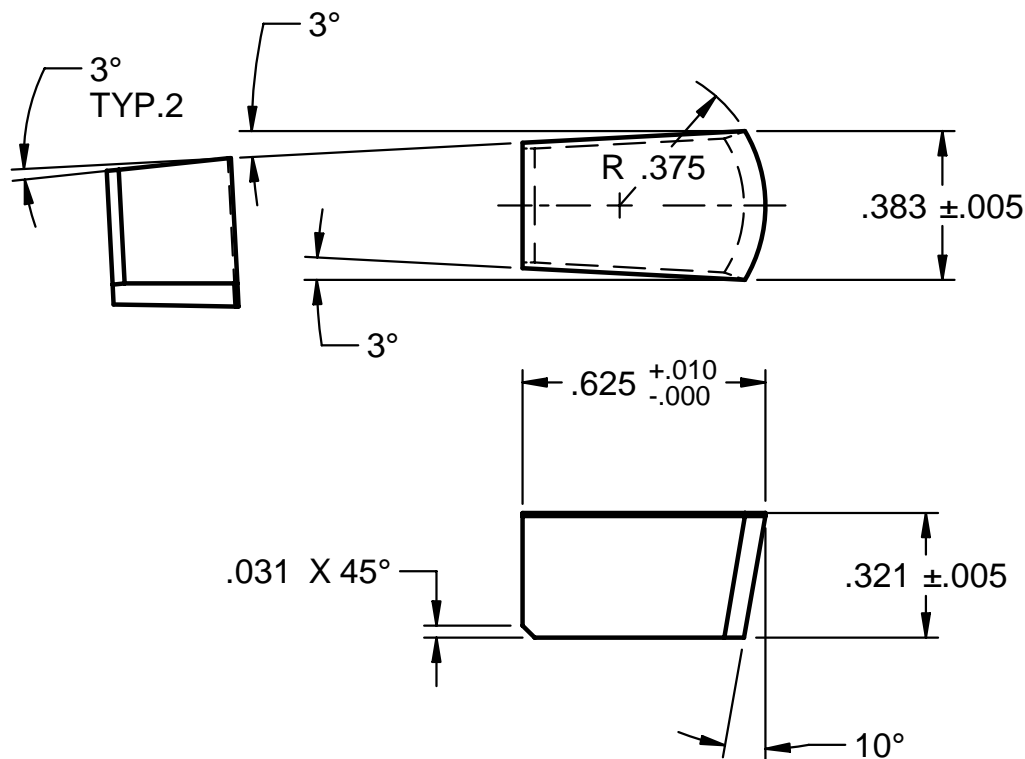
Style T-14497

D&T-225



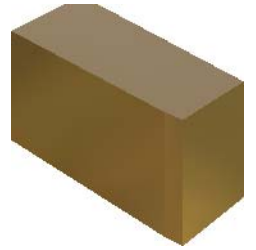
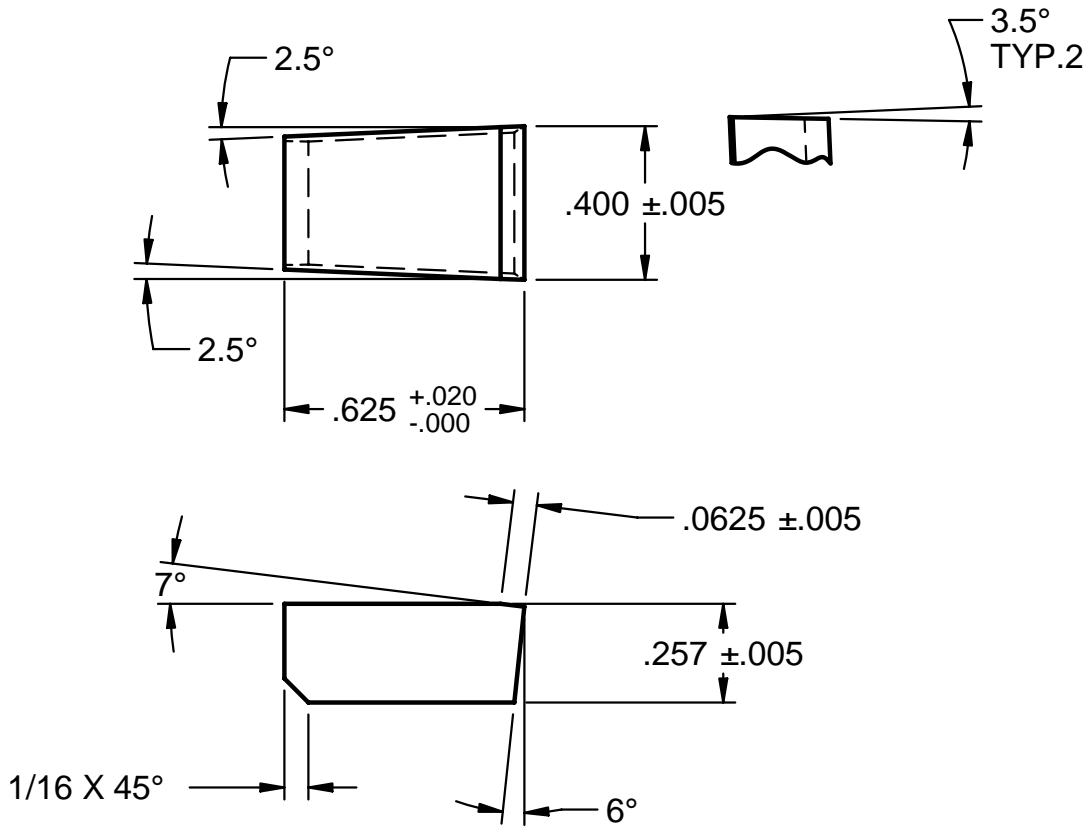
Tungste-Met

Style A-1722-A



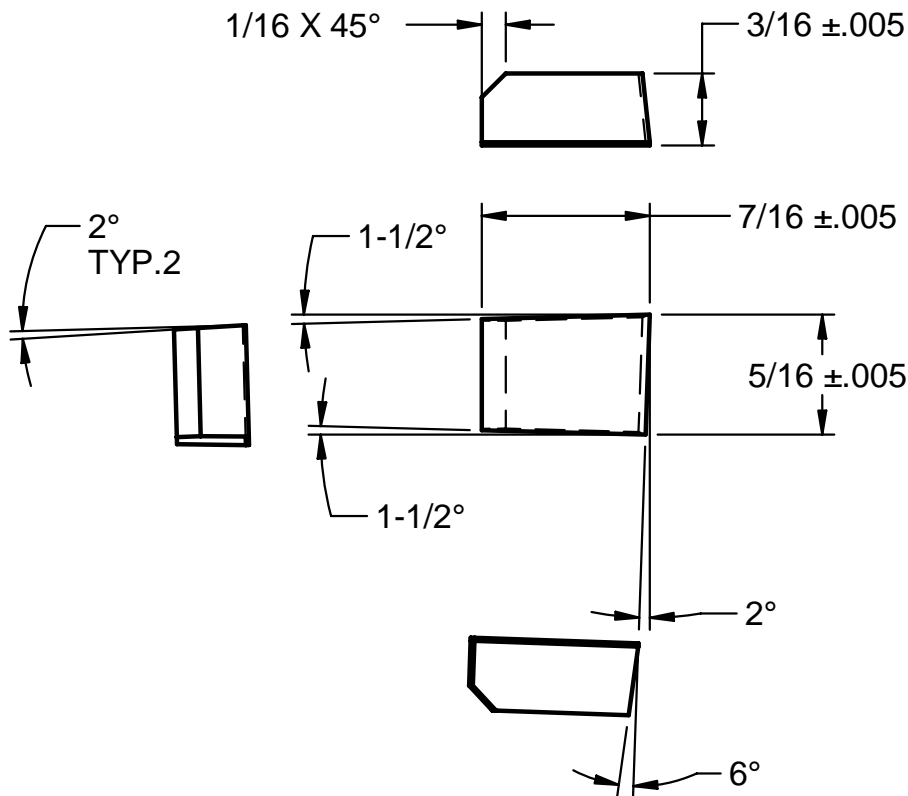
Tungste-Met

Style LX-1196-2



Tungste-Met

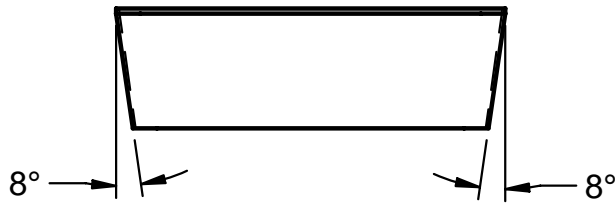
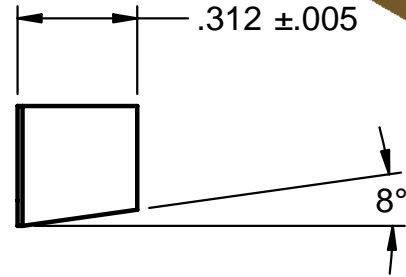
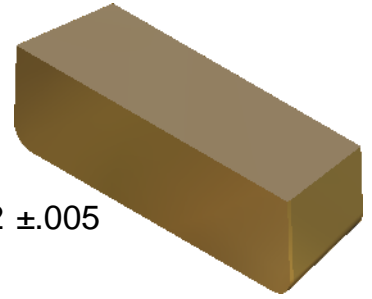
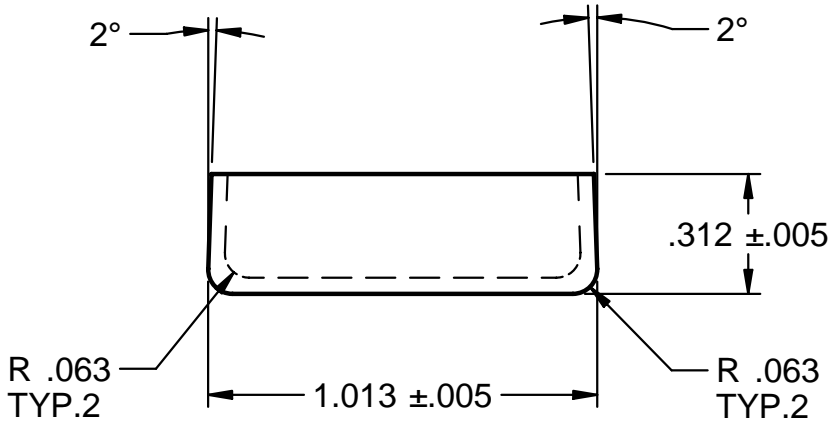
Style T-14740





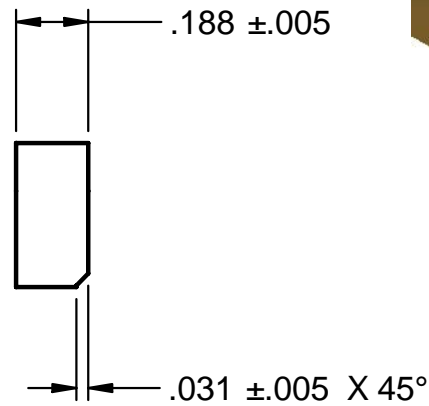
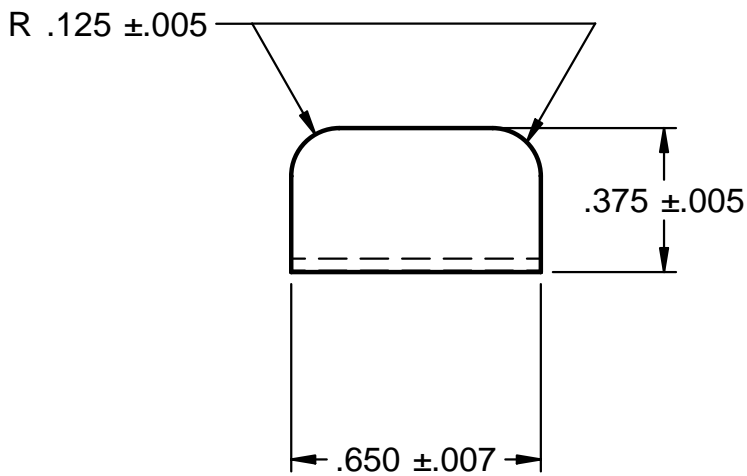
Tungste-Met

Style A-2956-A



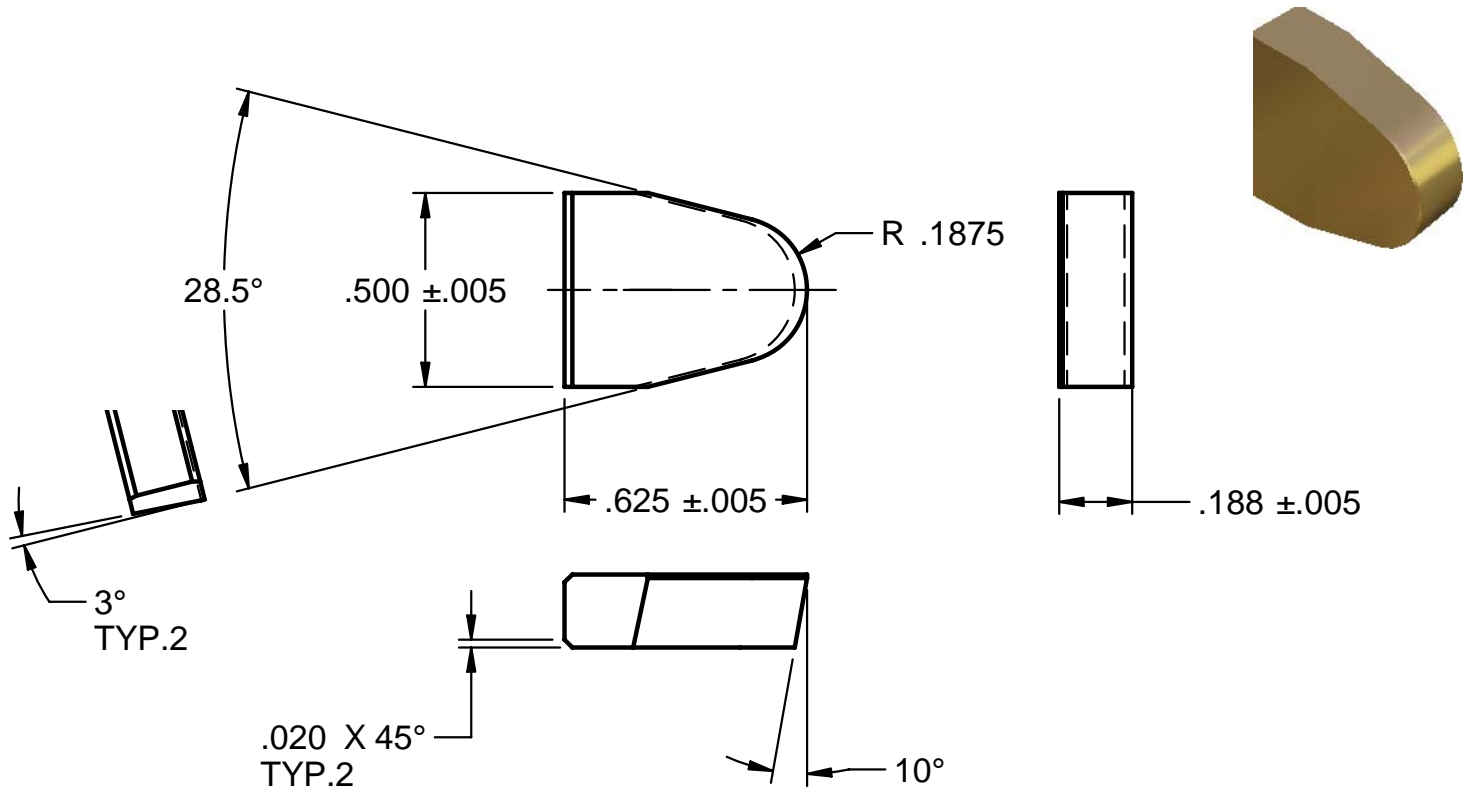
Tungste-Met

Style A-2583-A



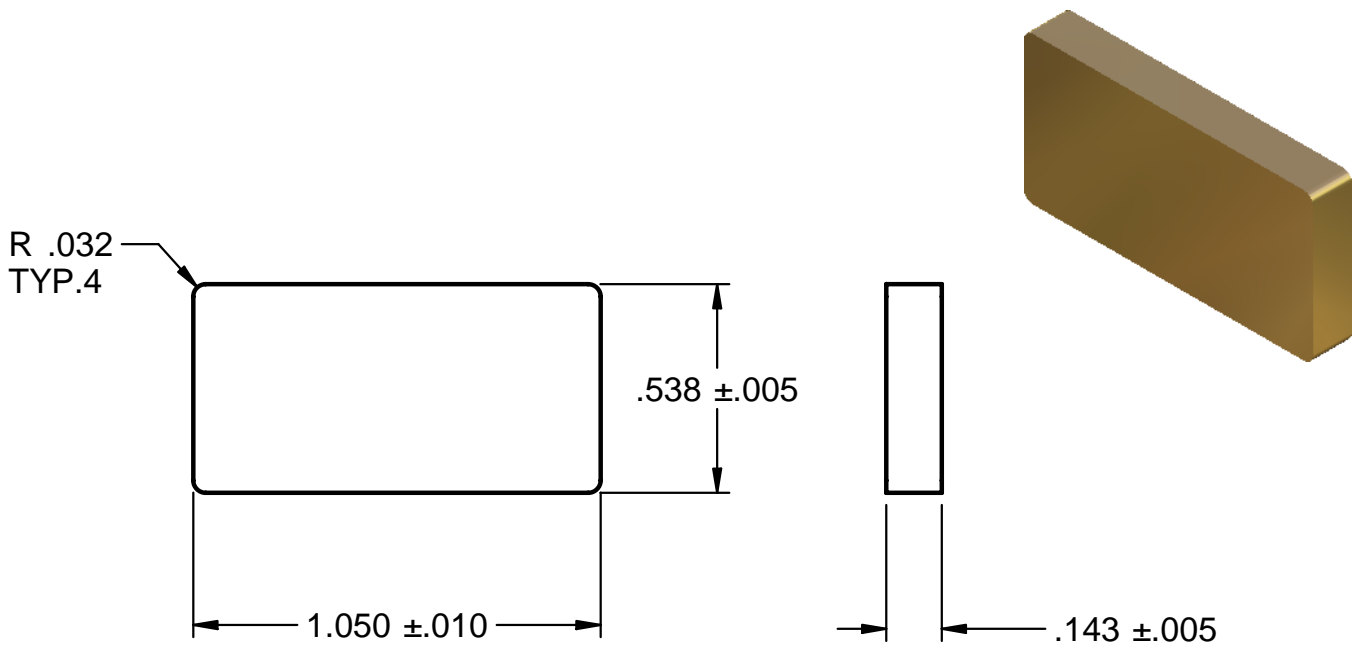
Tungste-Met

Style R-10753



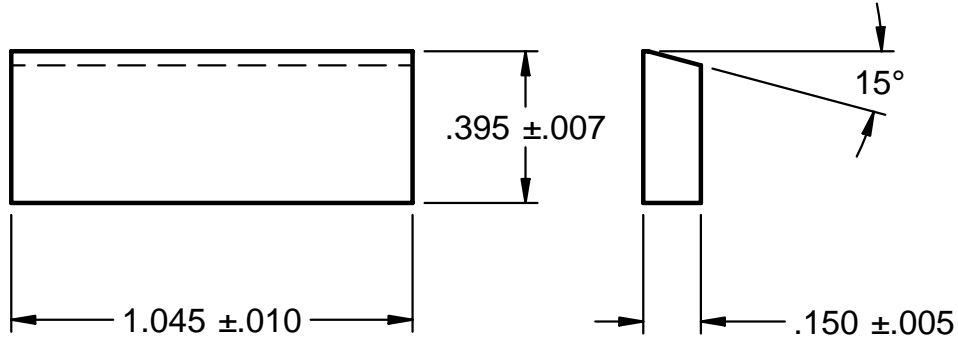
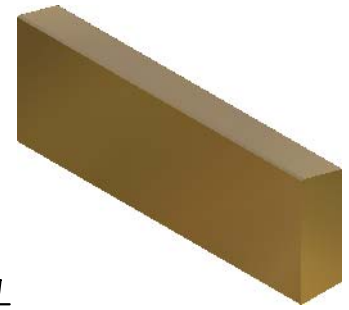
Tungste-Met

Style LX-1203-5



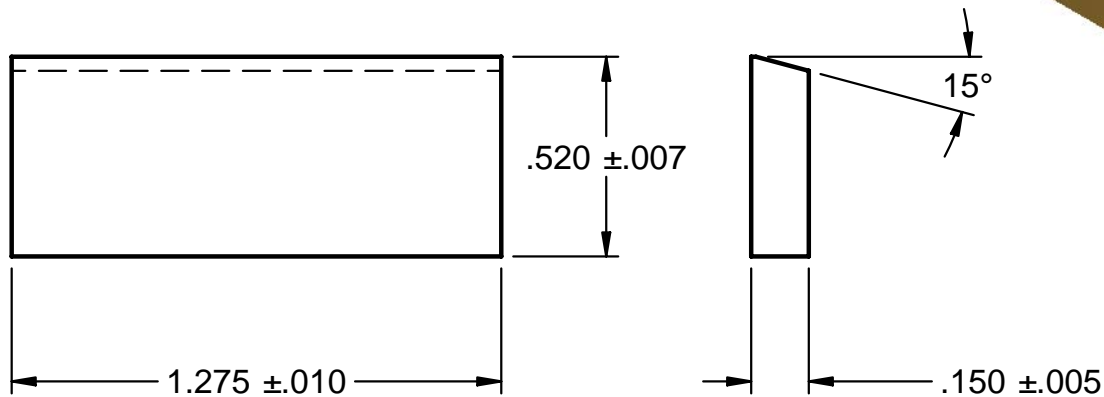
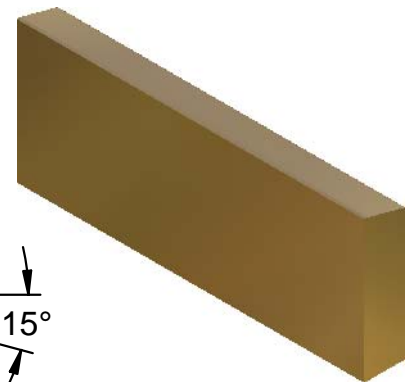
Tungste-Met

Style T-23781-A-51



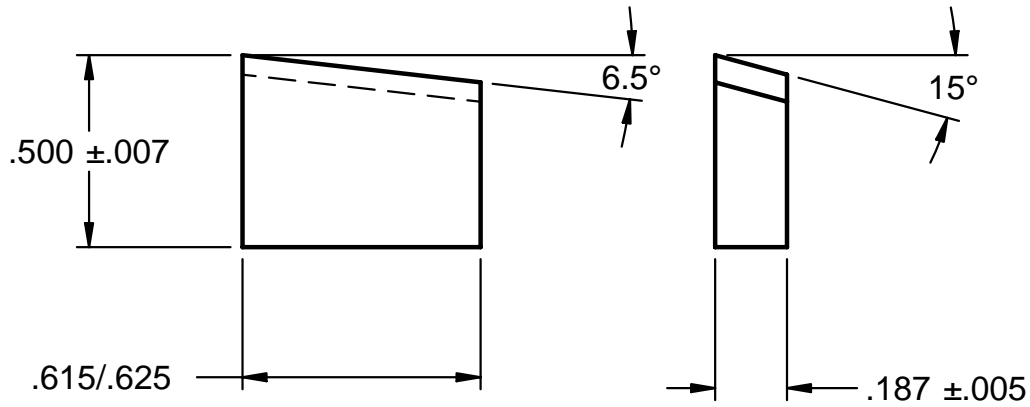
Tungste-Met

Style T-23781-A-55



Tungste-Met

Style LX-0526-1



Tungste-Met

Style A-2489-B-1

