

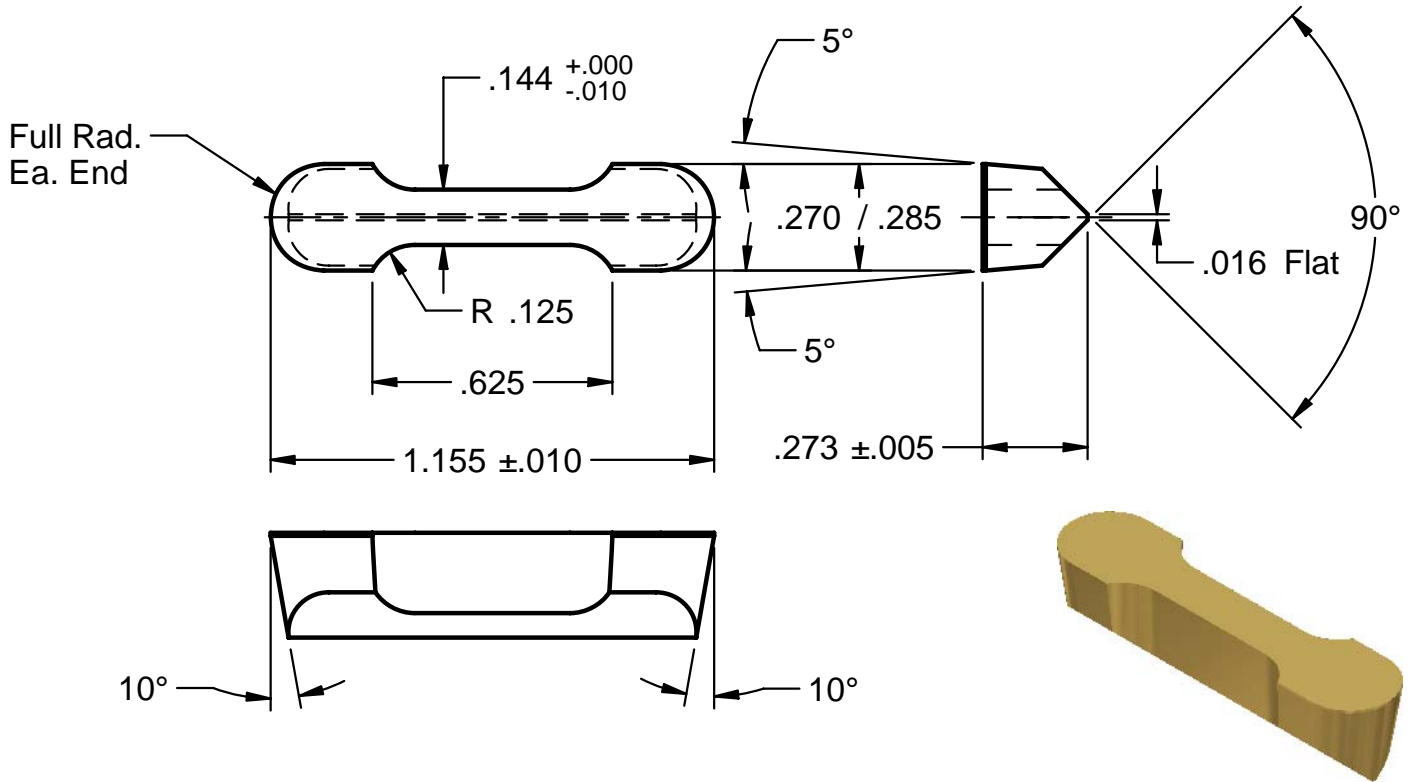
Insert	T	W	L	WL	A	WW	Notes
DB125	.260	.145	1.155	.625	7°	.106	
DB156	.260	.175	1.155	.625	7°	.106	
DB188	.276	.223	1.155	.625	7°	.139	
DB250A	.261	.273	1.155	.625	7°	.139	
DB250B	.347	.268	1.155	.625	7°	.139	
A-2634-C-28	.213	.278	1.155	.625	7°	.139	
A-2634-C-22	.365	.303	1.155	.625	7°	.139	
A-2634-C-21	.360	.360	1.155	.625	7°	.202	
A-2634-C-23	.365	.462	1.155	.625	7°	.271	
DB375	.352	.413	1.155	.625	7°	.271	
DB500	.352	.525	1.155	.625	7°	.271	
A-2634-C-20	.211	.164	1.344	.937	7°	.101	
DB156-1.312L	.203	.175	1.342	.937	7°	.101	
DB218-1.312L	.203	.245	1.342	.812	7°	.139	
A-2634-C-3	.272	.334	1.342	.812	5°	.202	
A-2634-C-62	.269	.358	1.342	.562	7°	.271	
DB218-1.500L	.196	.233	1.530	1.000	10°	.101	
DB281-1.500L	.258	.307	1.530	1.000	10°	.139	
DB344-1.500L	.345	.370	1.530	1.000	10°	.197	
DB375-1.500L	.345	.406	1.530	.875	10°	.271	
DB500-1.500L	.345	.530	1.530	.875	10°	.370	
DB562-1.500L	.354	.577	1.530	.875	10°	.373	



Tungste-Met

Style MA6999

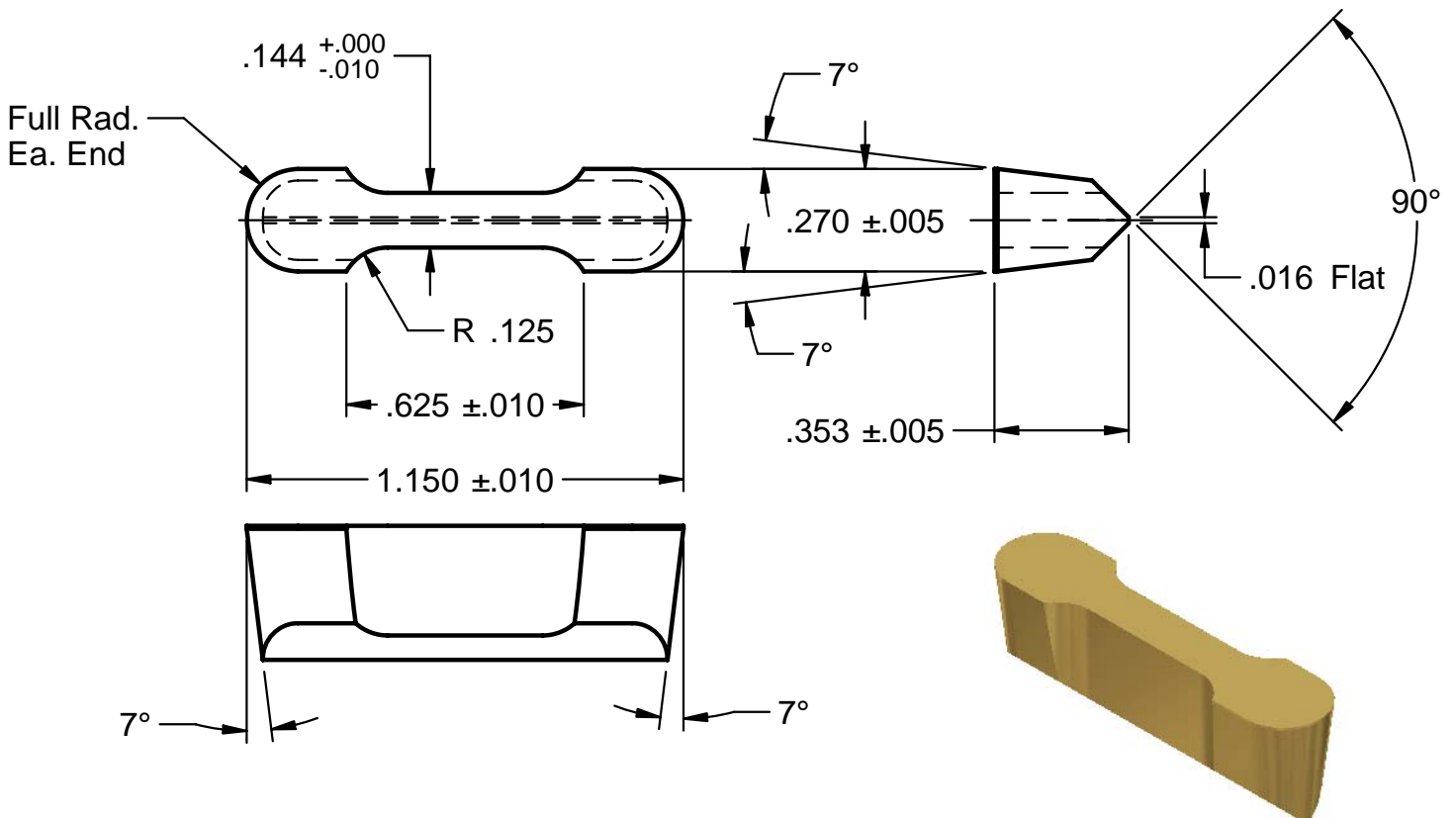
DB-250A-FR



Tungste-Met

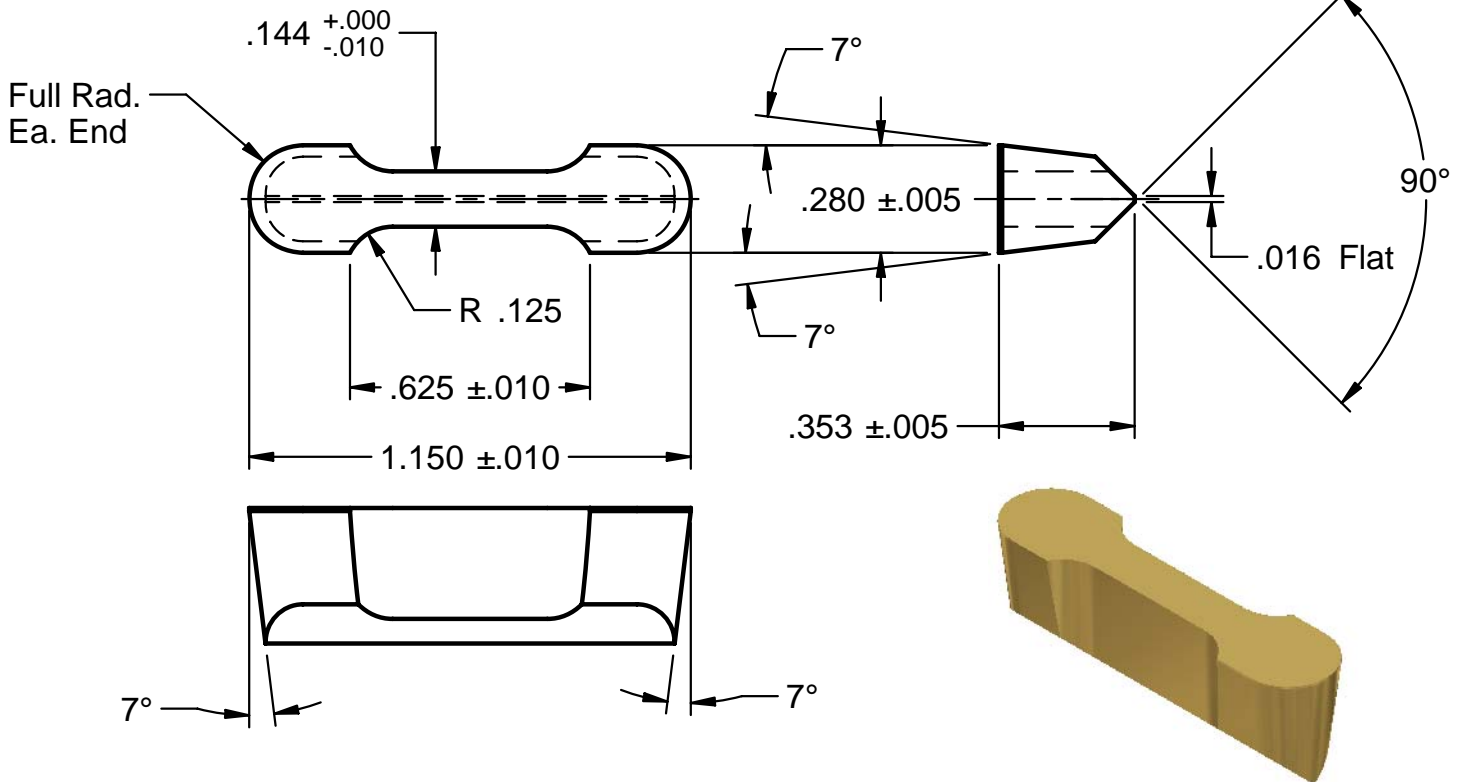
Style MA5954-55

DB-250B-FR



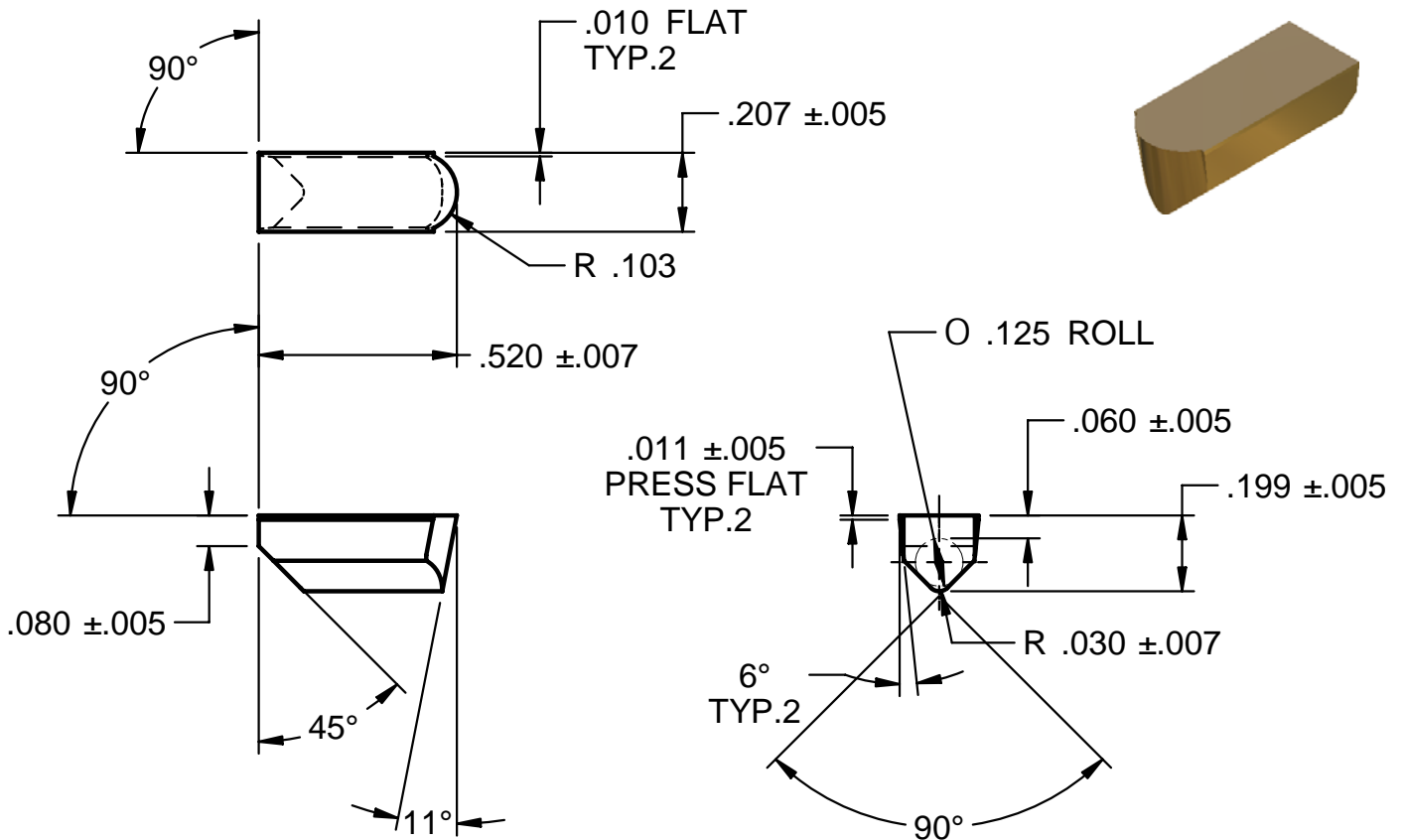
Tungste-Met

Style T-18045-5



Tungste-Met

Style MA68711

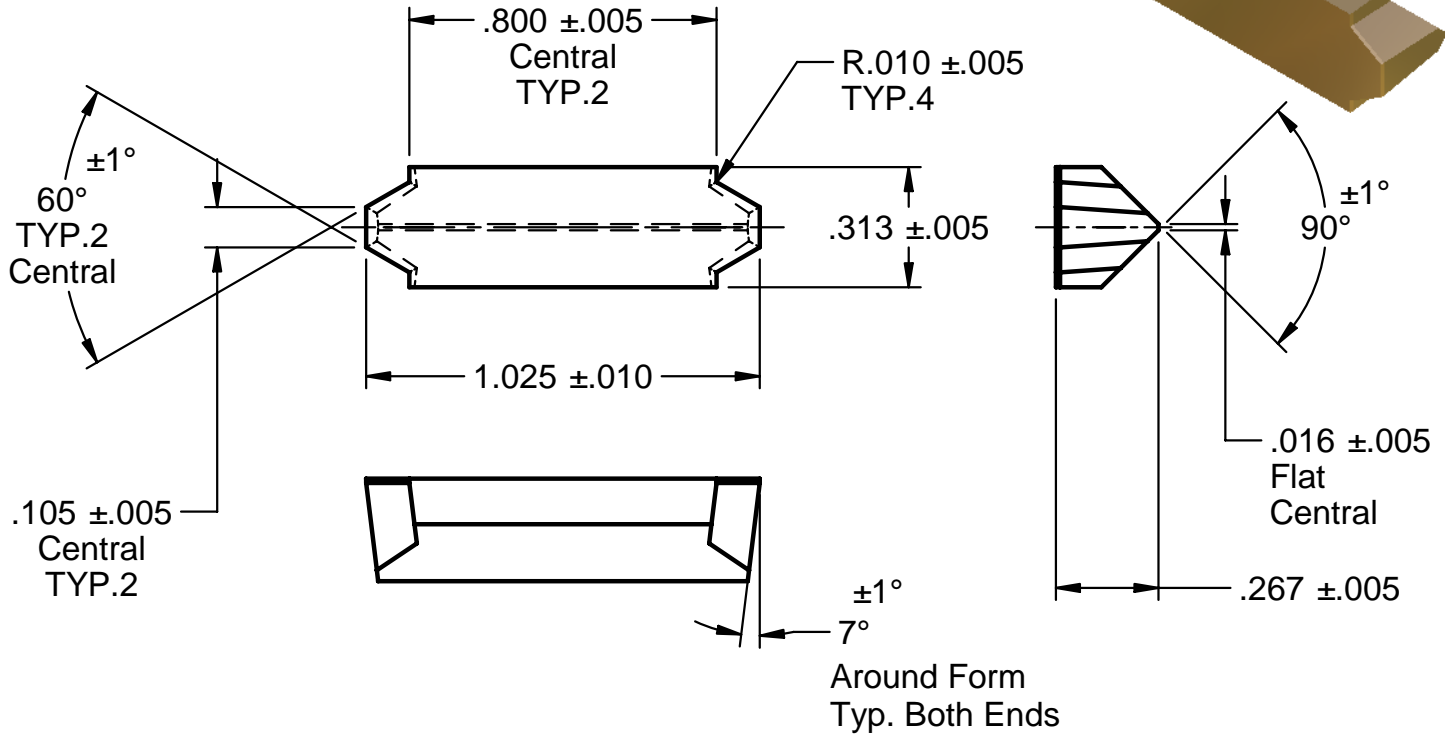






Tungste-Met

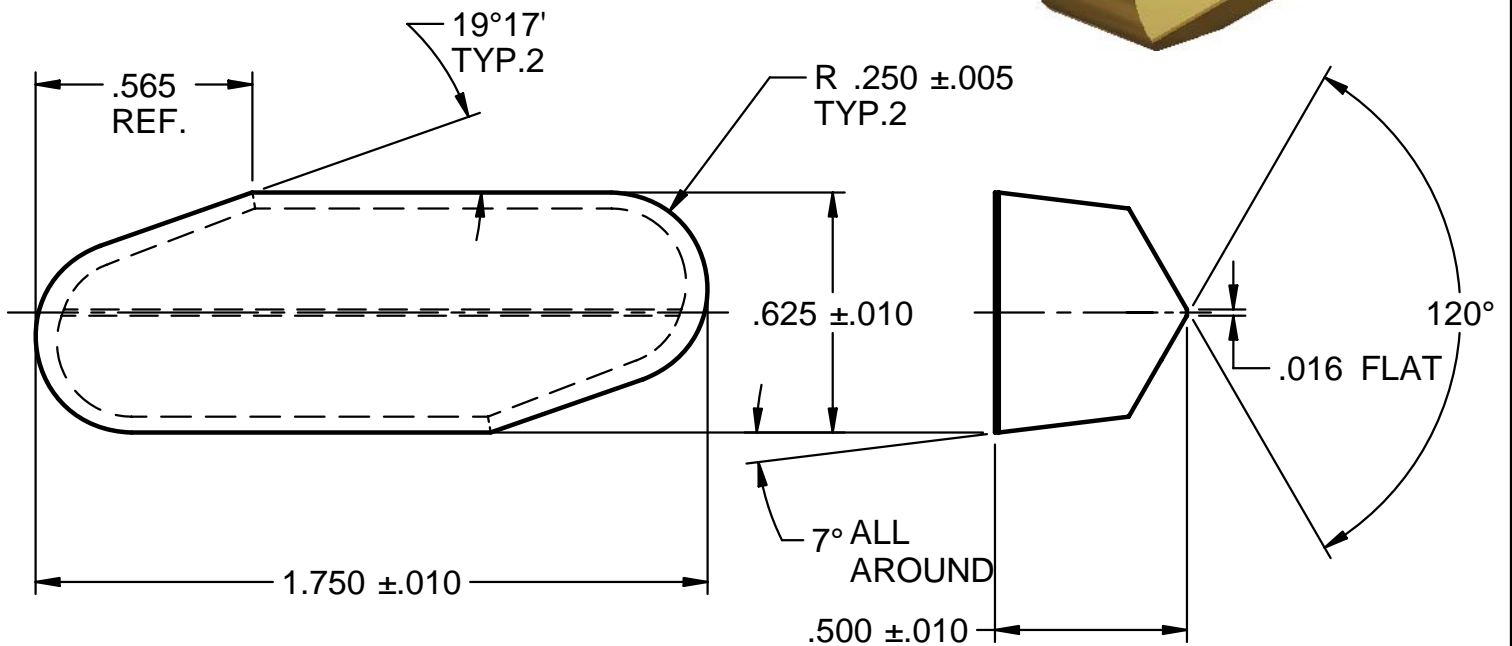
Style A-1693-A



Tungste-Met

Style A-0249-B

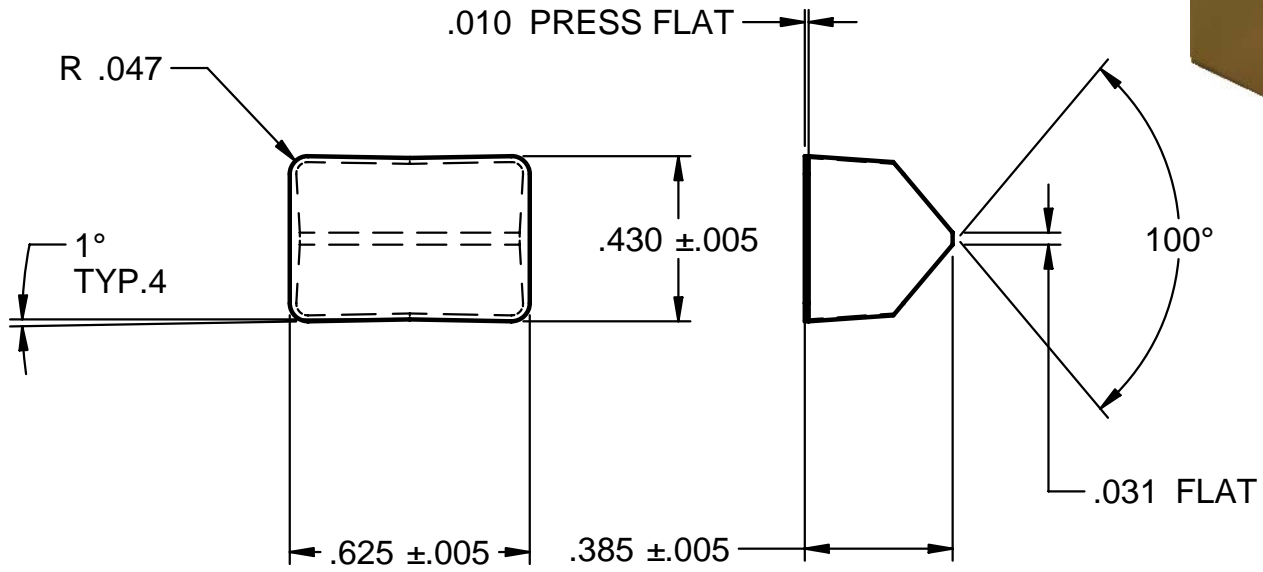
MA-52270



Tungste-Met

Style

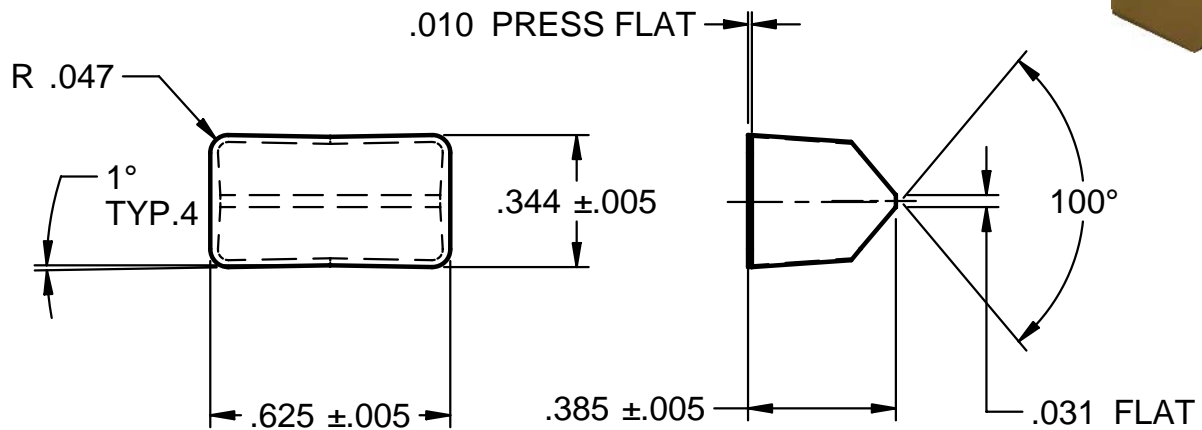
A-0167-A-1



Tungste-Met

Style

A-0167-A-2

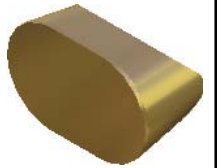
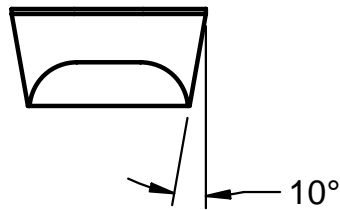
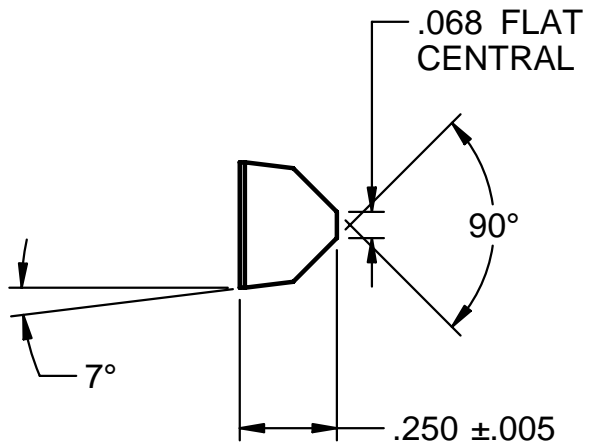
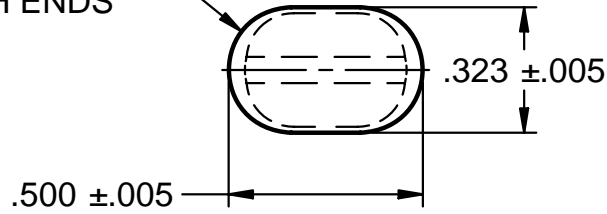




Tungste-Met

Style MA-66294

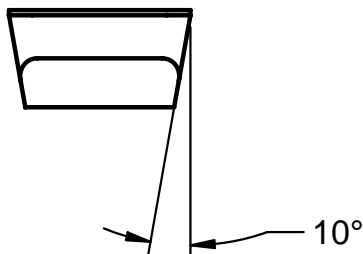
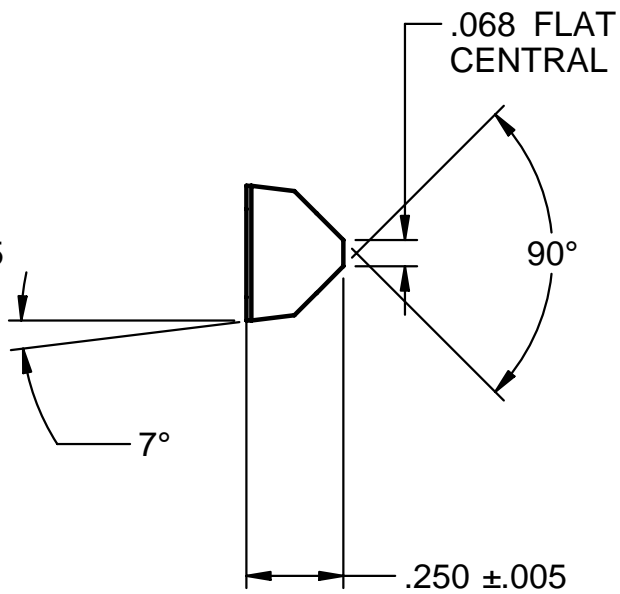
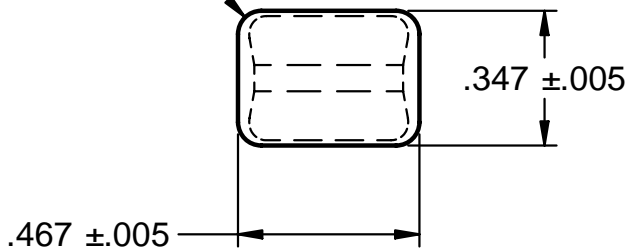
FULL RAD.  
BOTH ENDS



Tungste-Met

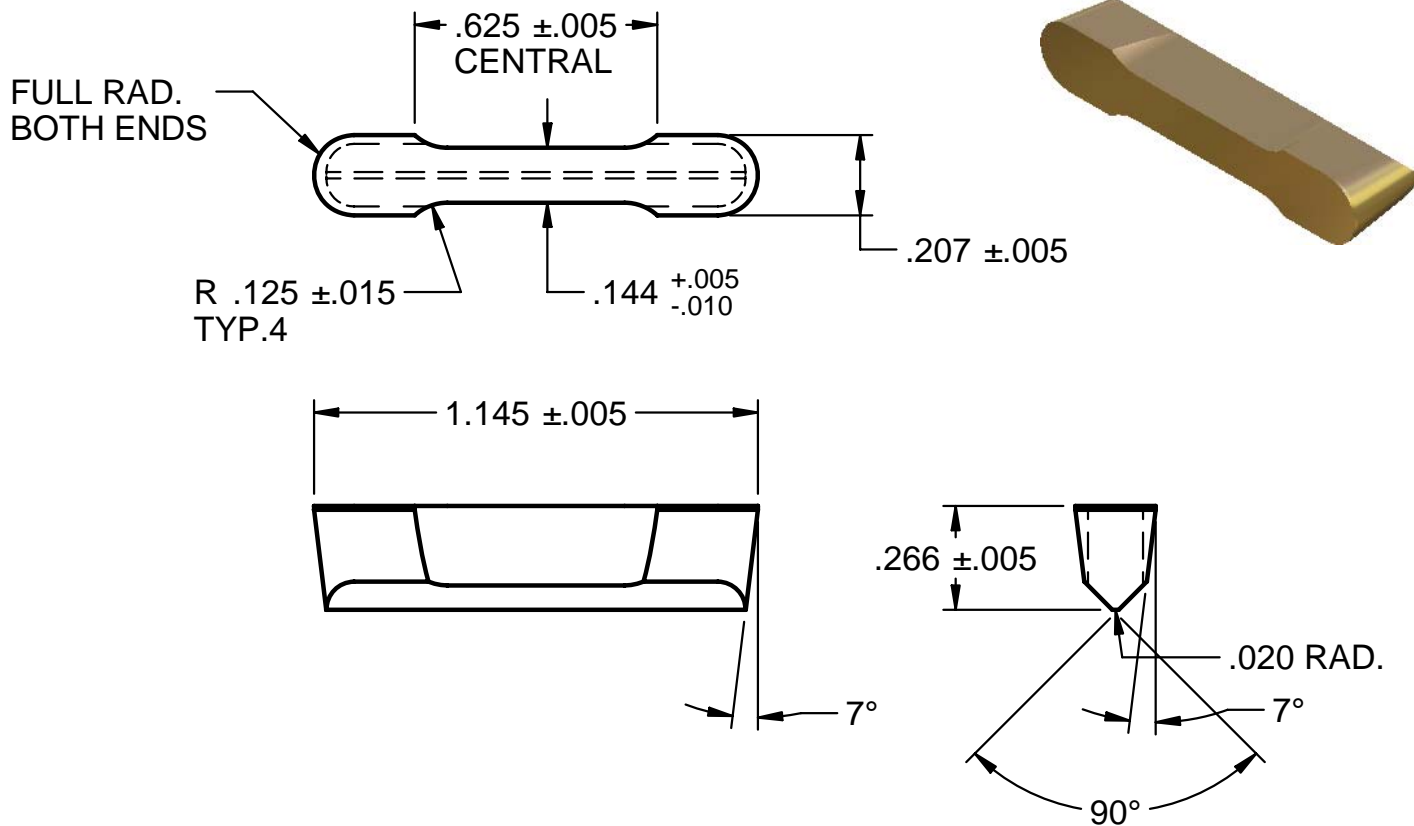
Style MA-66293

R .060  
TYP.4



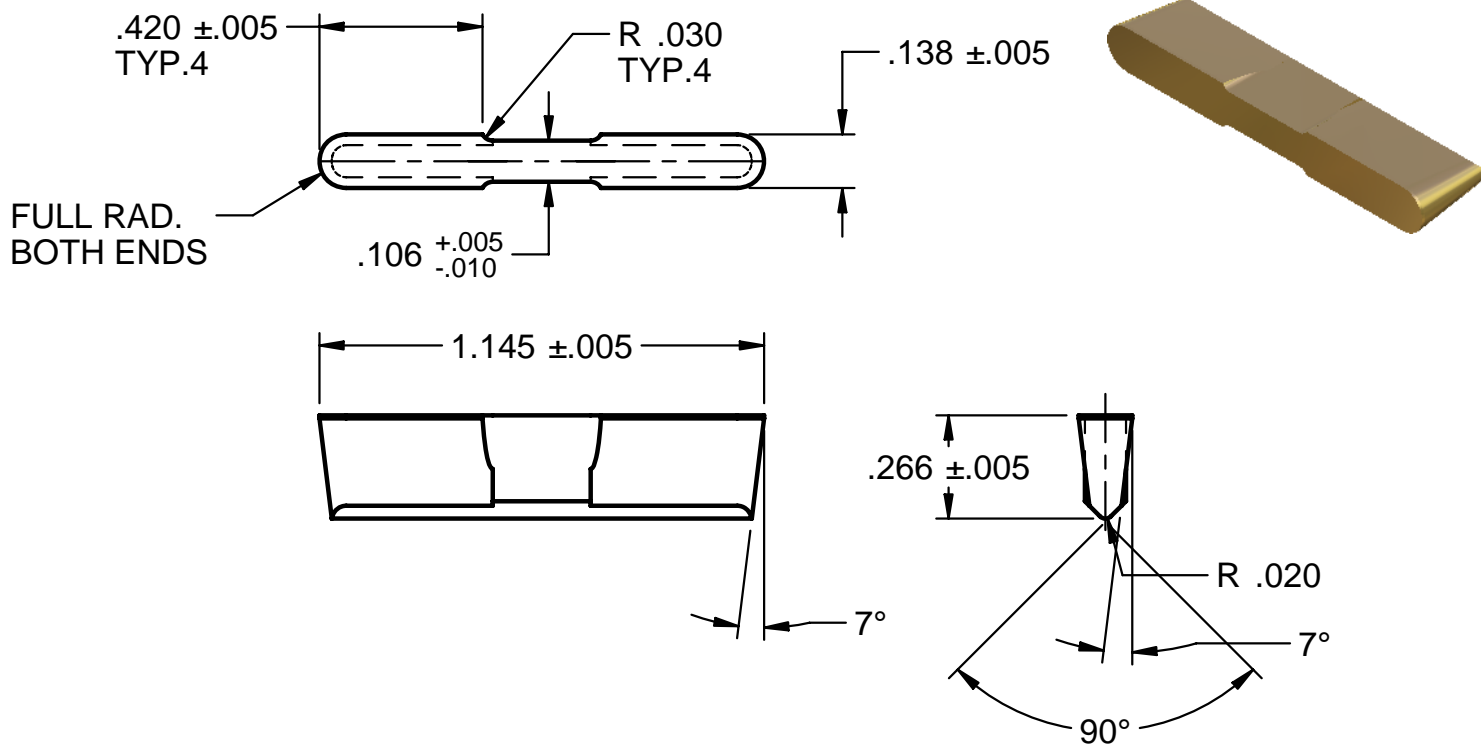
Tungste-Met

Style MA-71259



Tungste-Met

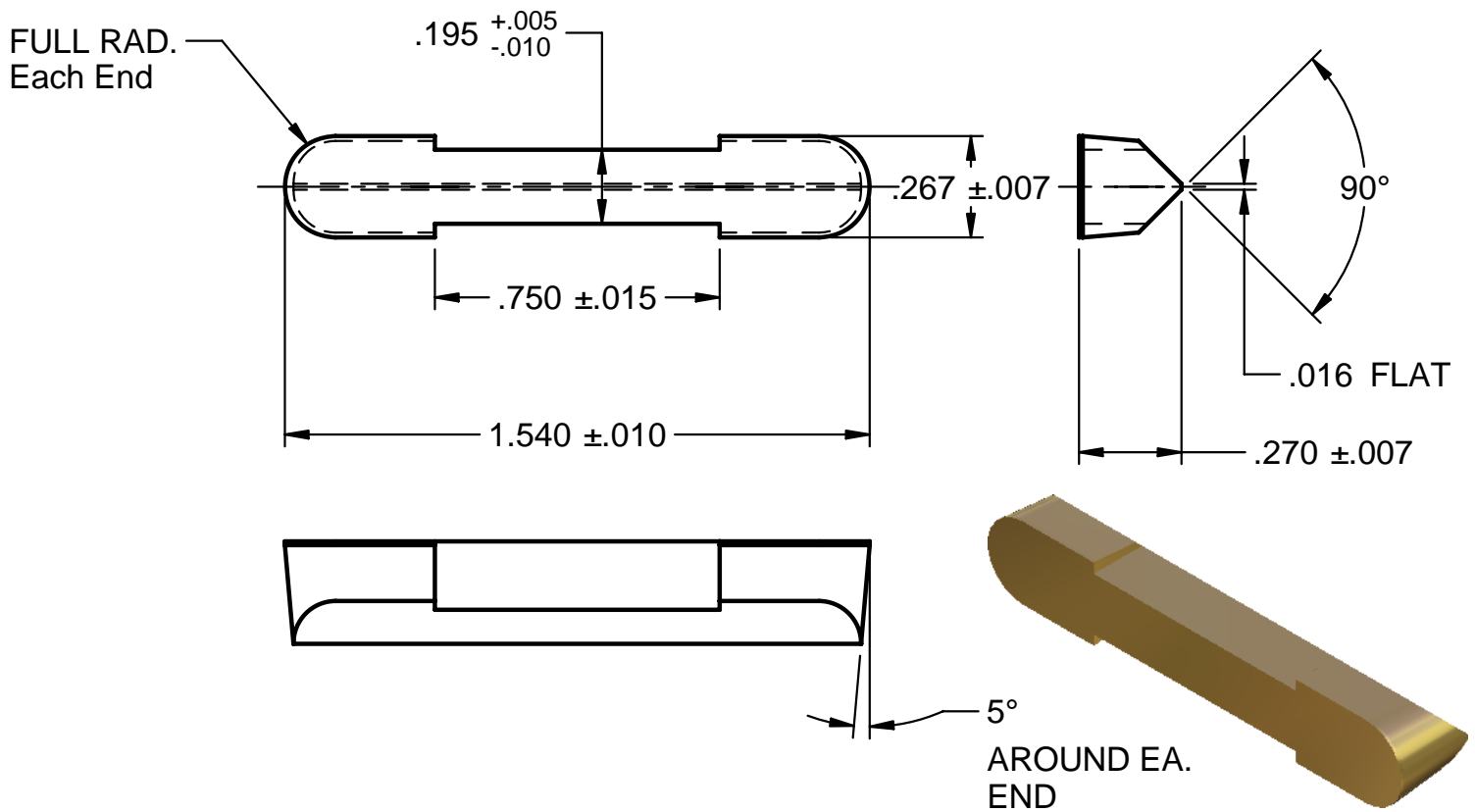
Style MA-71257



Tungste-Met

Style T-16220-A

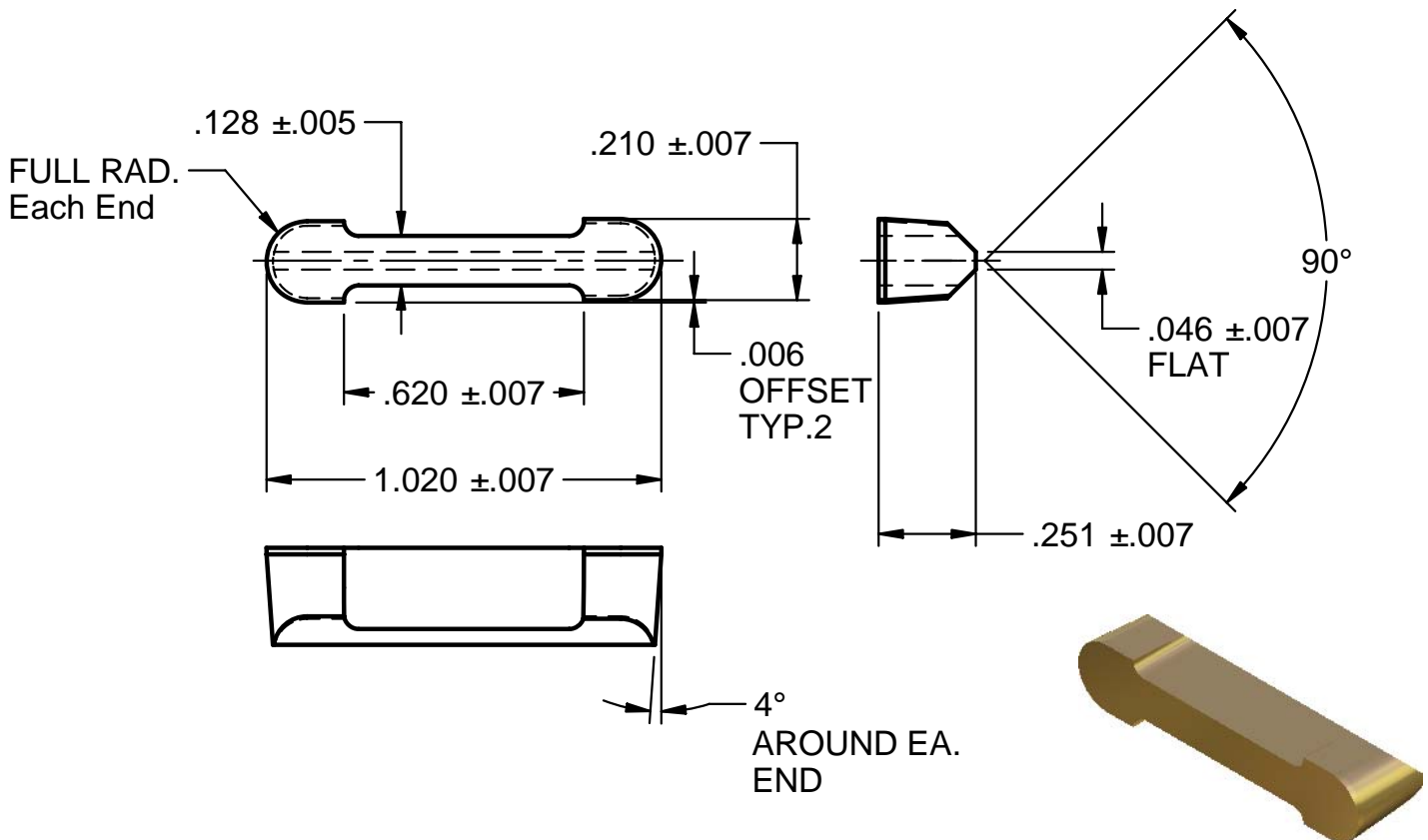
MA-4228  
MA-4154



Tungste-Met

Style LX-1484-1

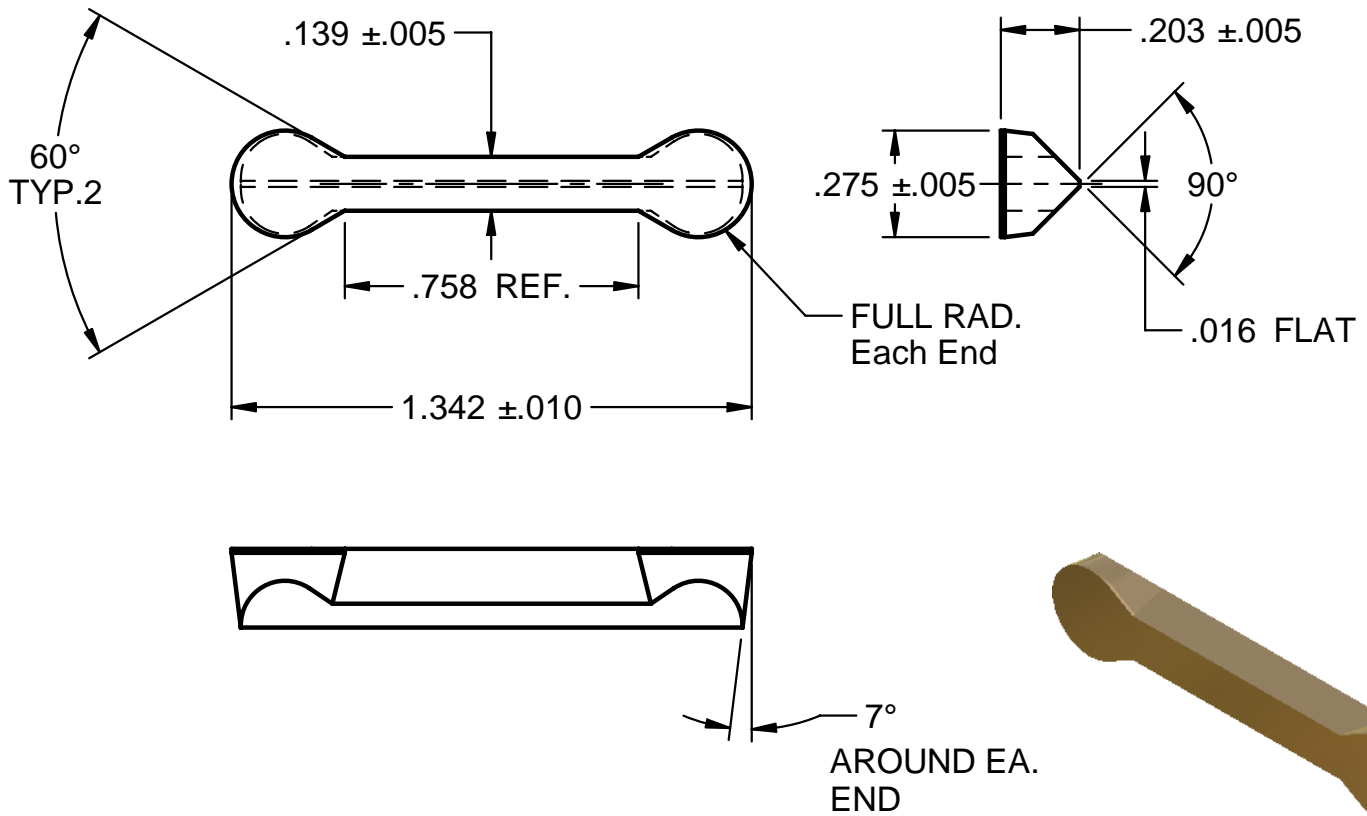
A-2718-A-1



Tungste-Met

Style T-18052-A-1

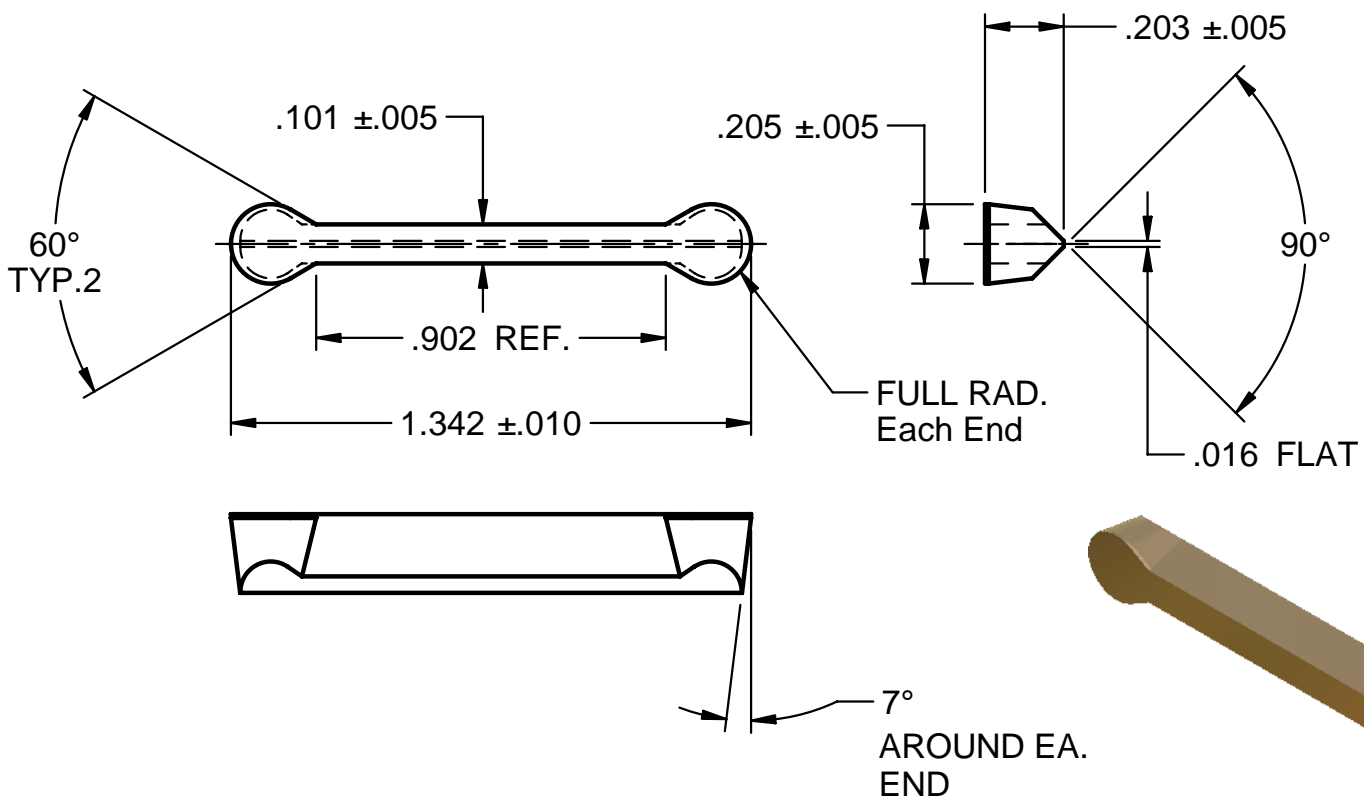
MA-42584  
MA-48457



Tungste-Met

Style T-18052-A-3

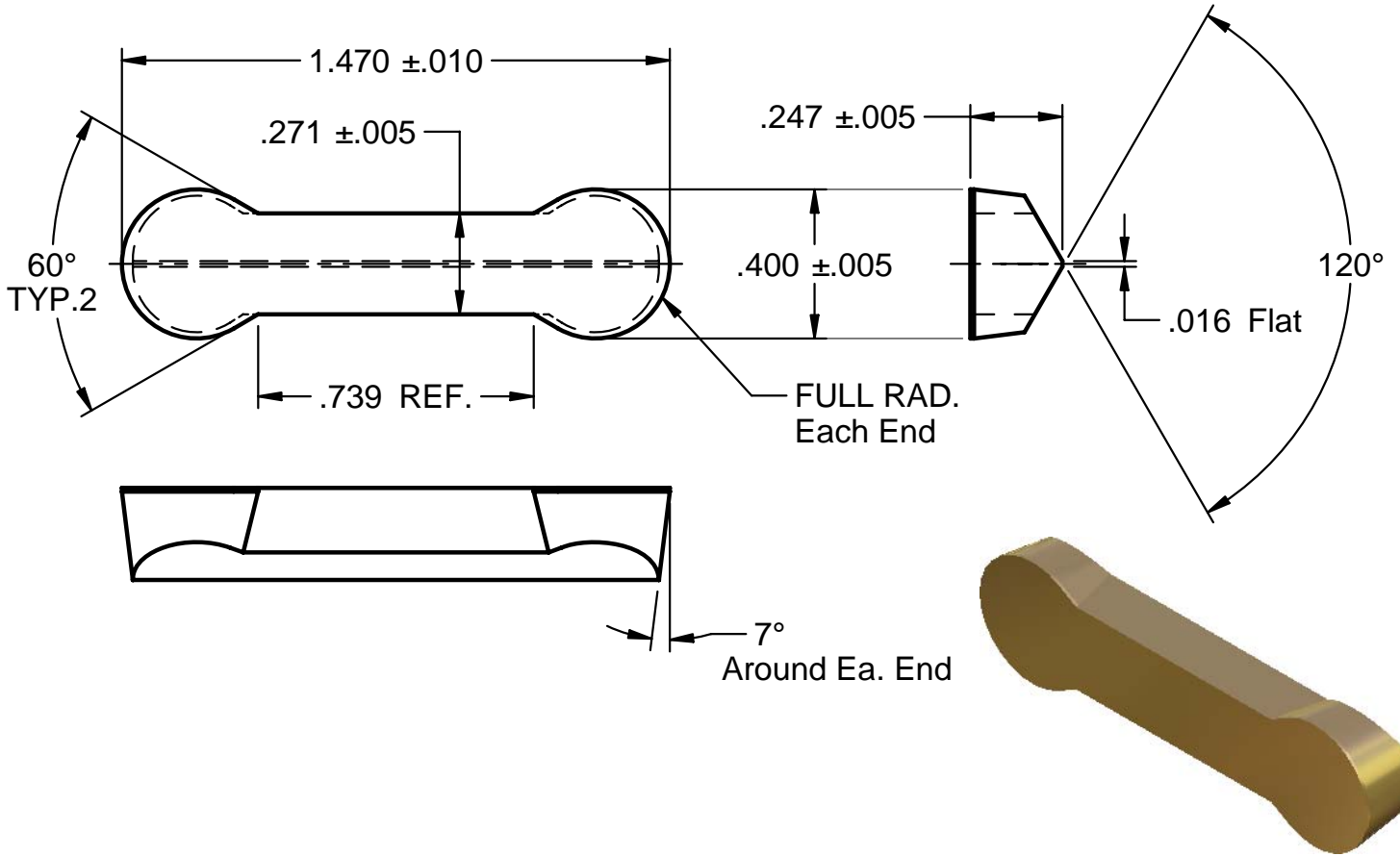
MA-52644  
MA-41561



Tungste-Met

Style T-18052-A-4

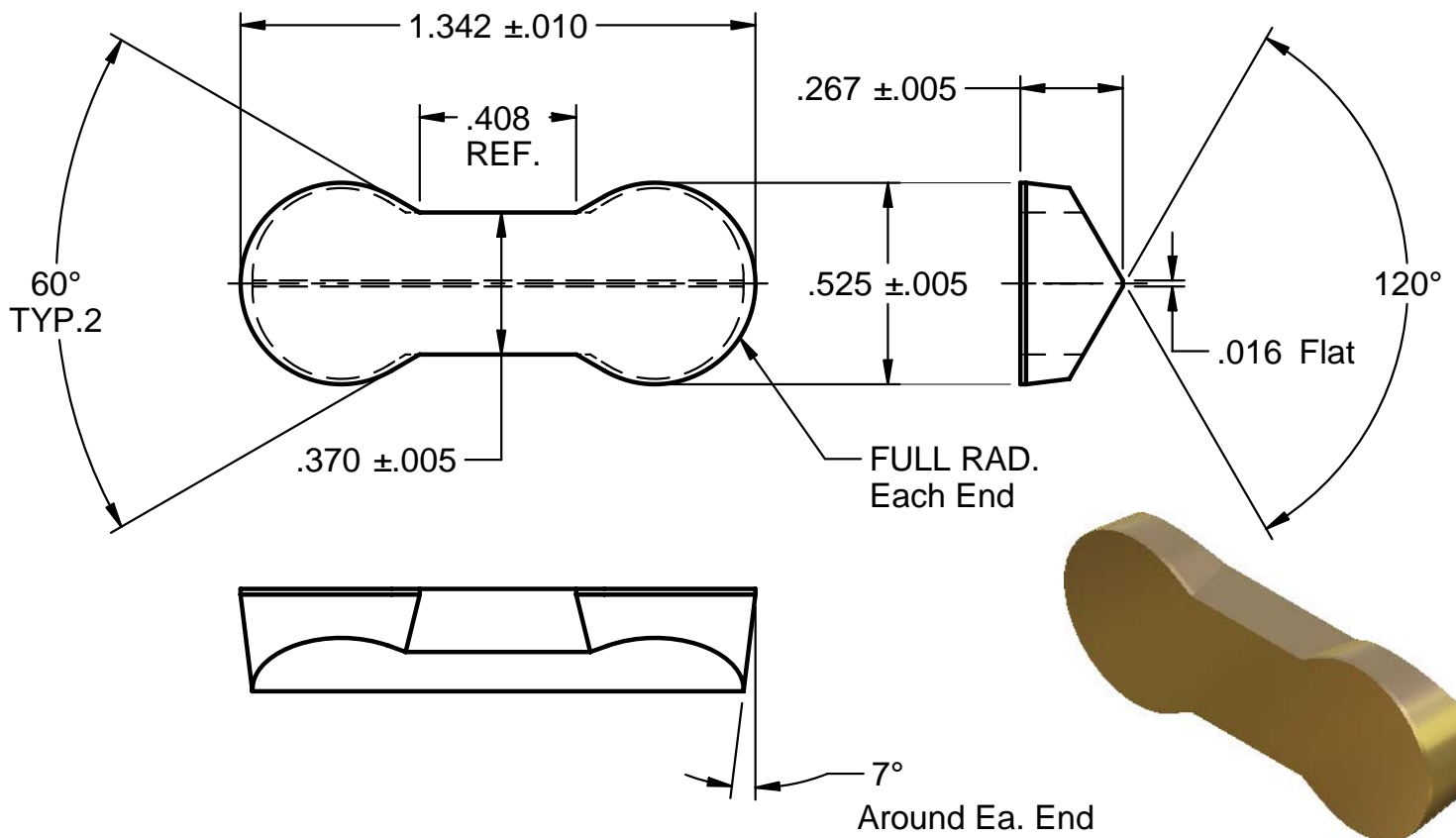
MA-41565  
MA-43630



Tungste-Met

Style T-18052-A-5

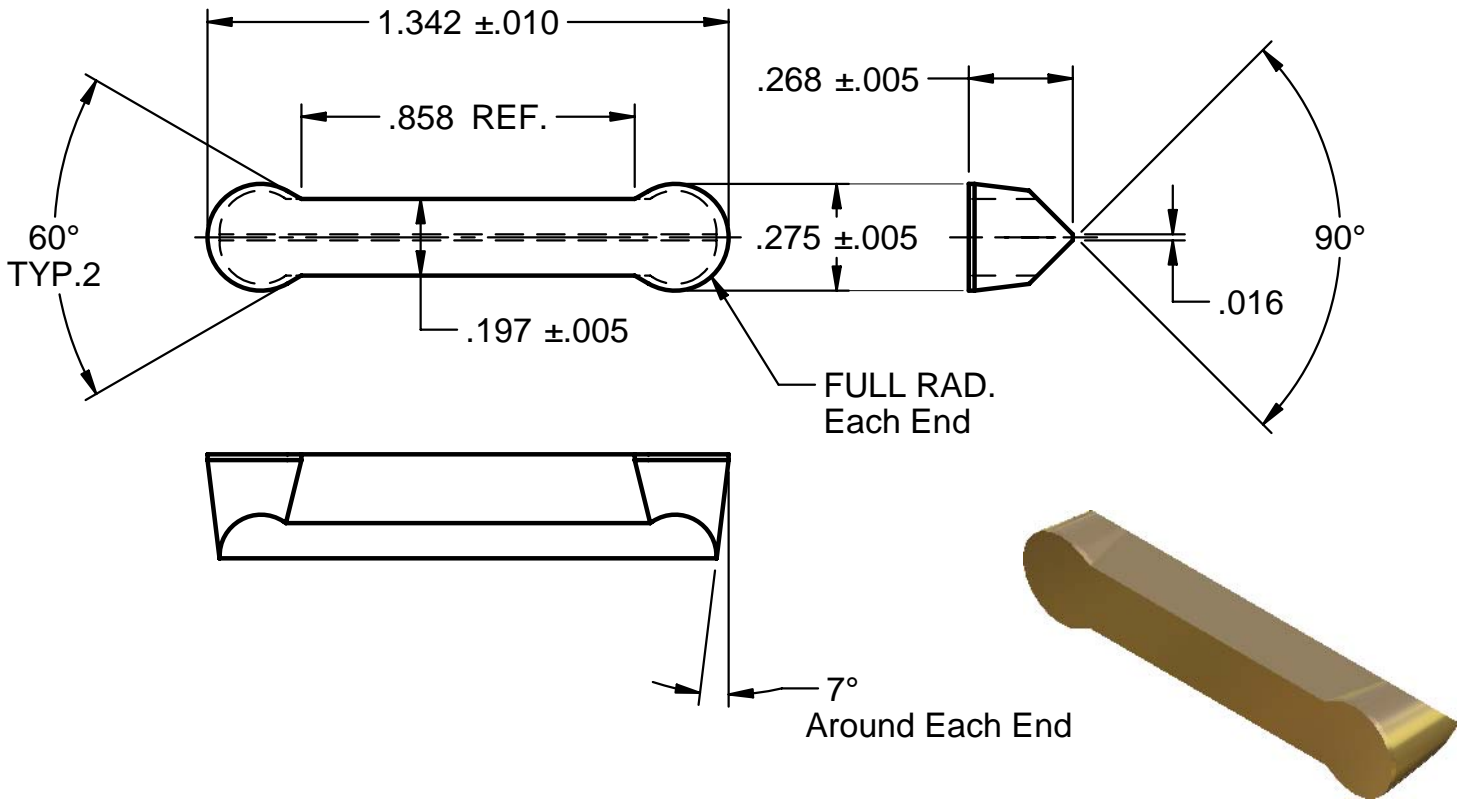
MA-41566



Tungste-Met

Style T-18052-A-6

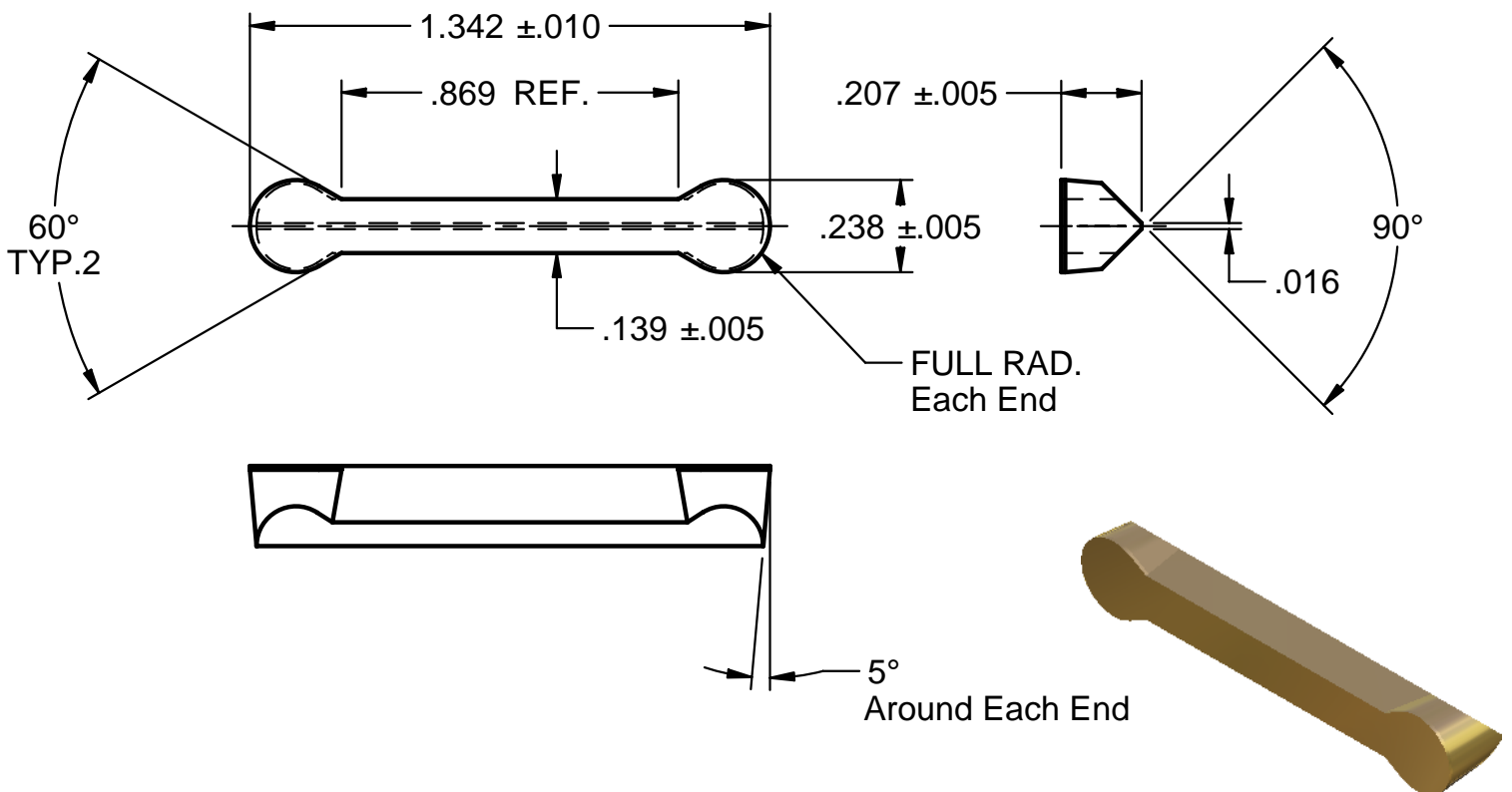
MA-46296



Tungste-Met

Style T-18052-A-7

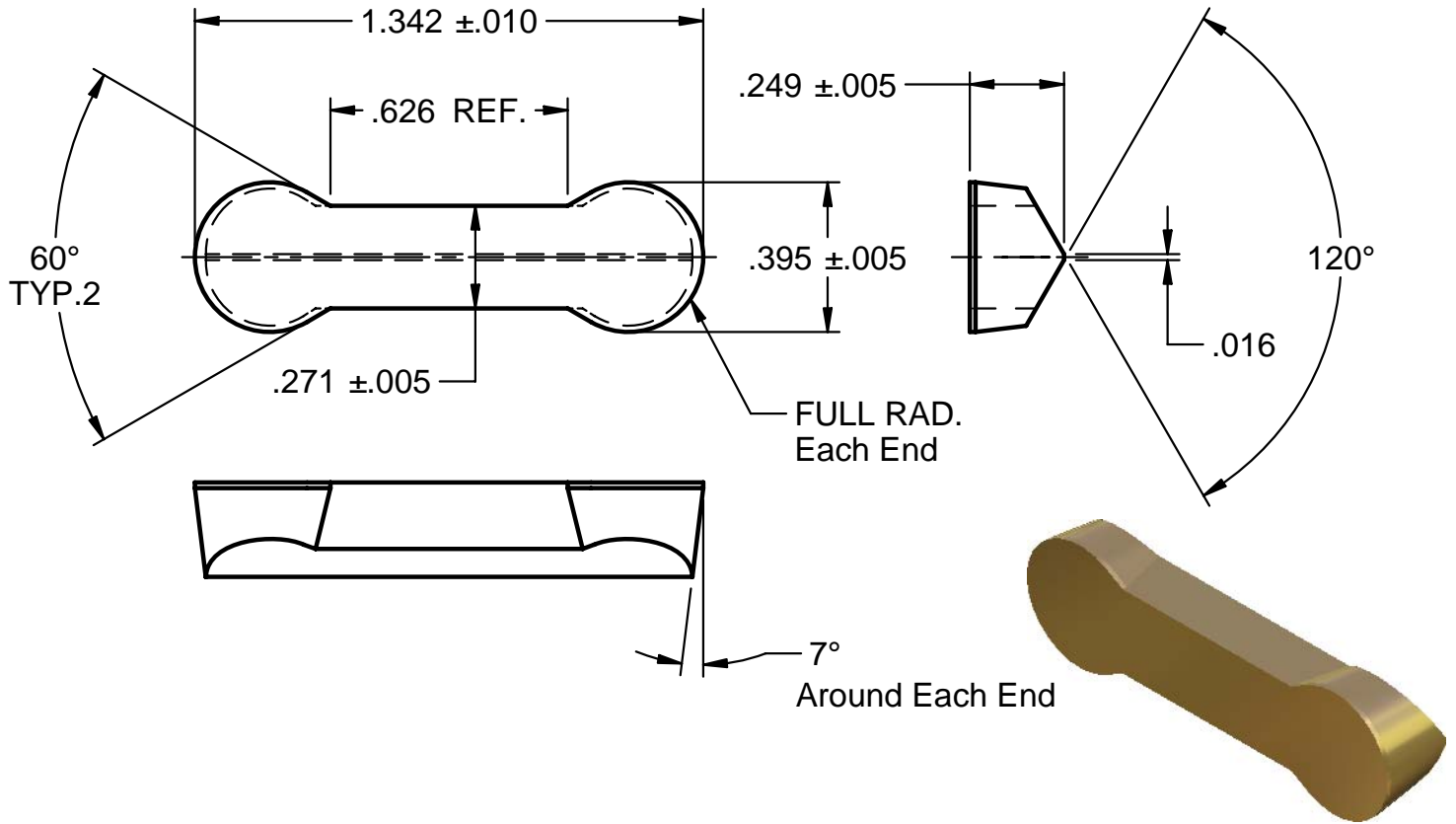
MA-57820



Tungste-Met

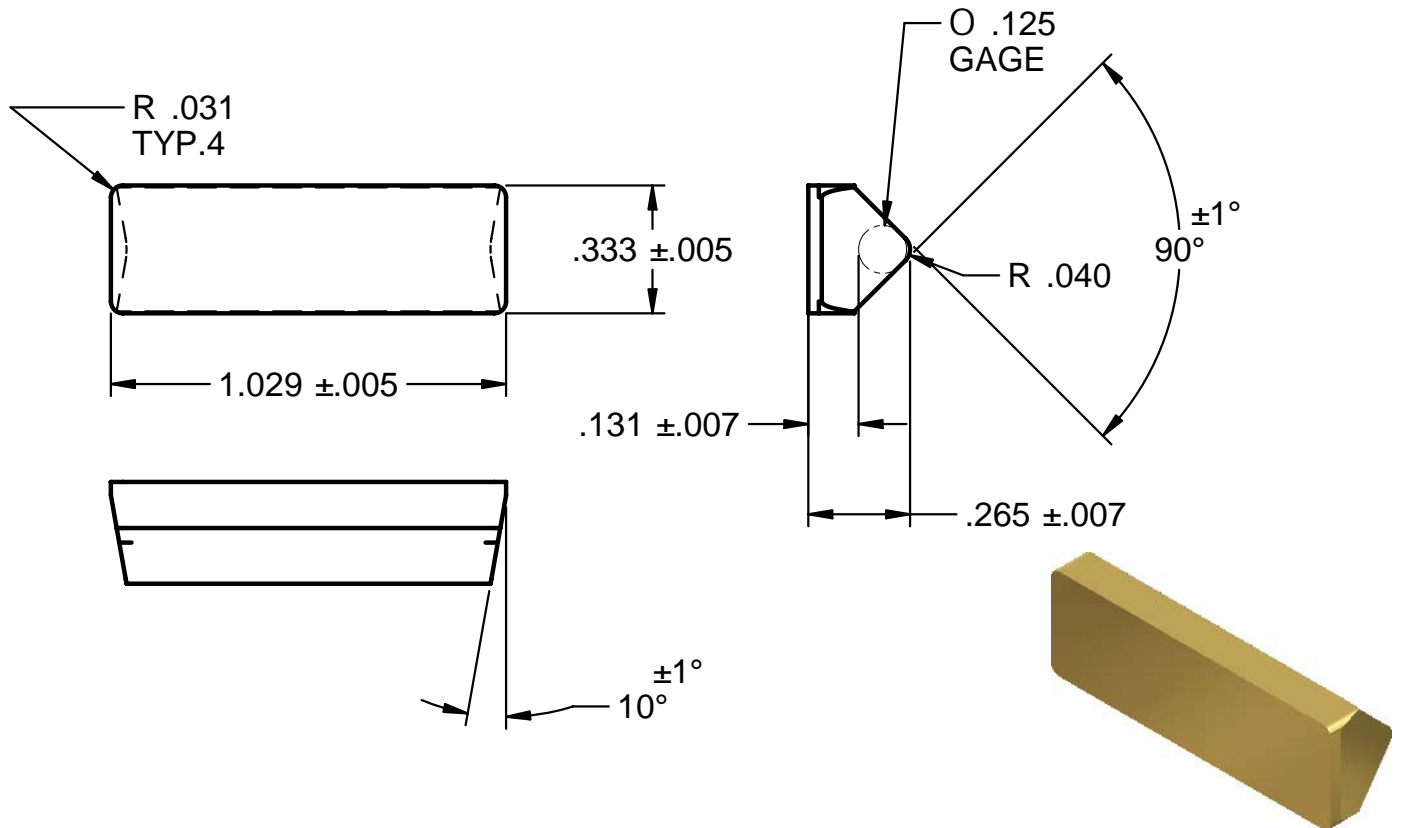
Style T-18052-A-8

MA-57871



Tungste-Met

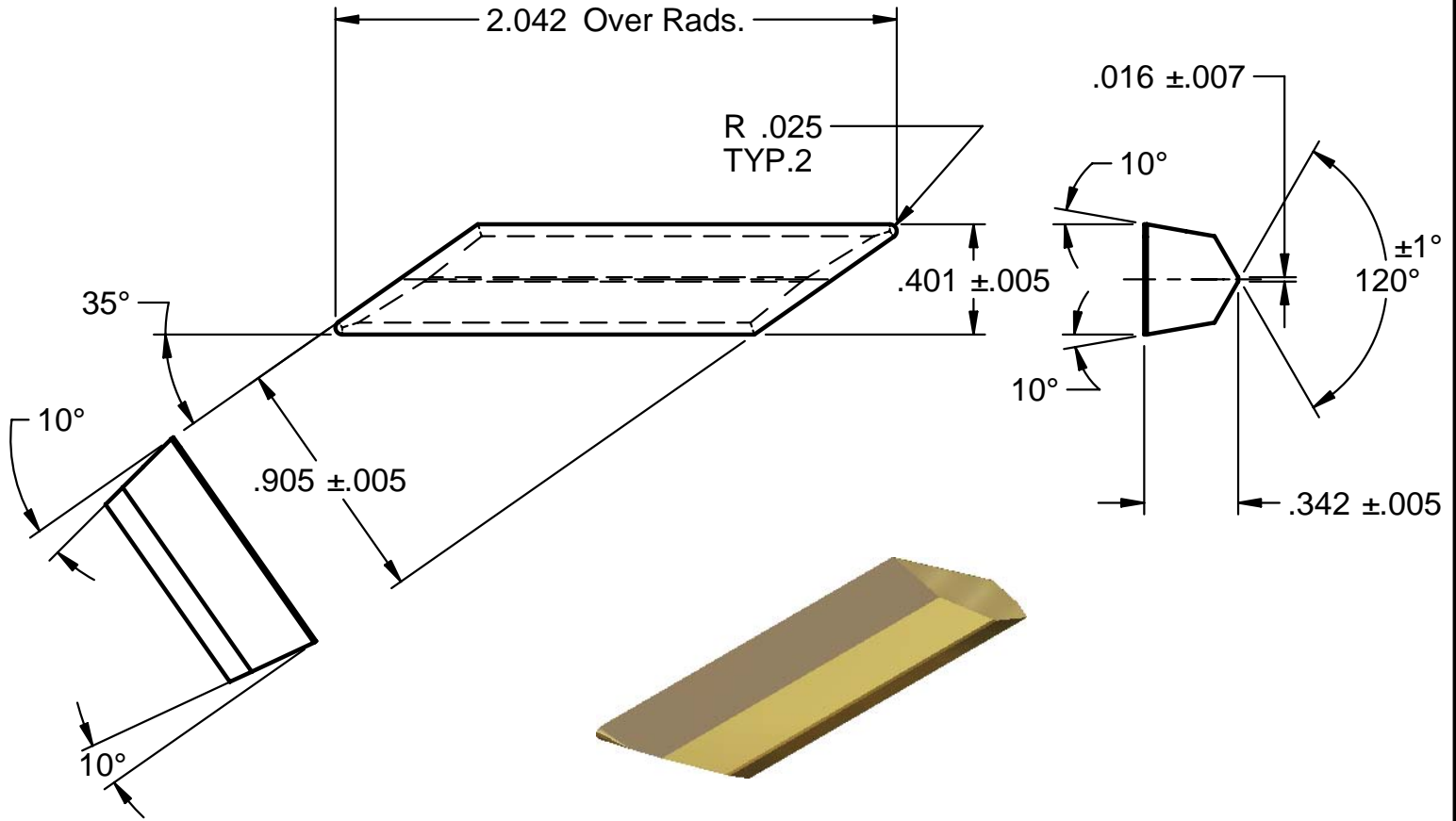
Style MA-69280



Tungste-Met

Style LX-1618-3-1

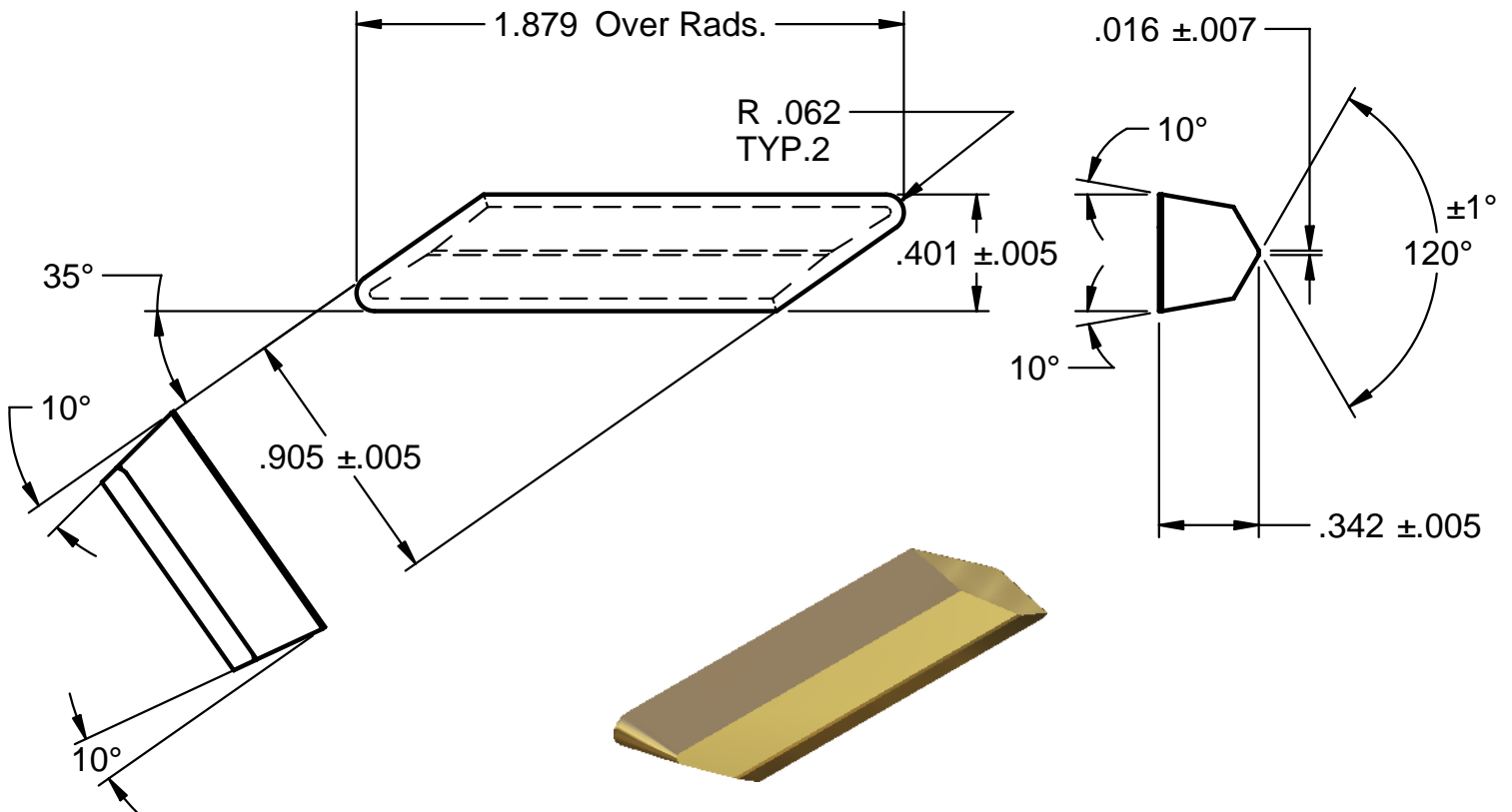
MA-1847  
MA-48195



Tungste-Met

Style LX-1618-3-2

MA-1549

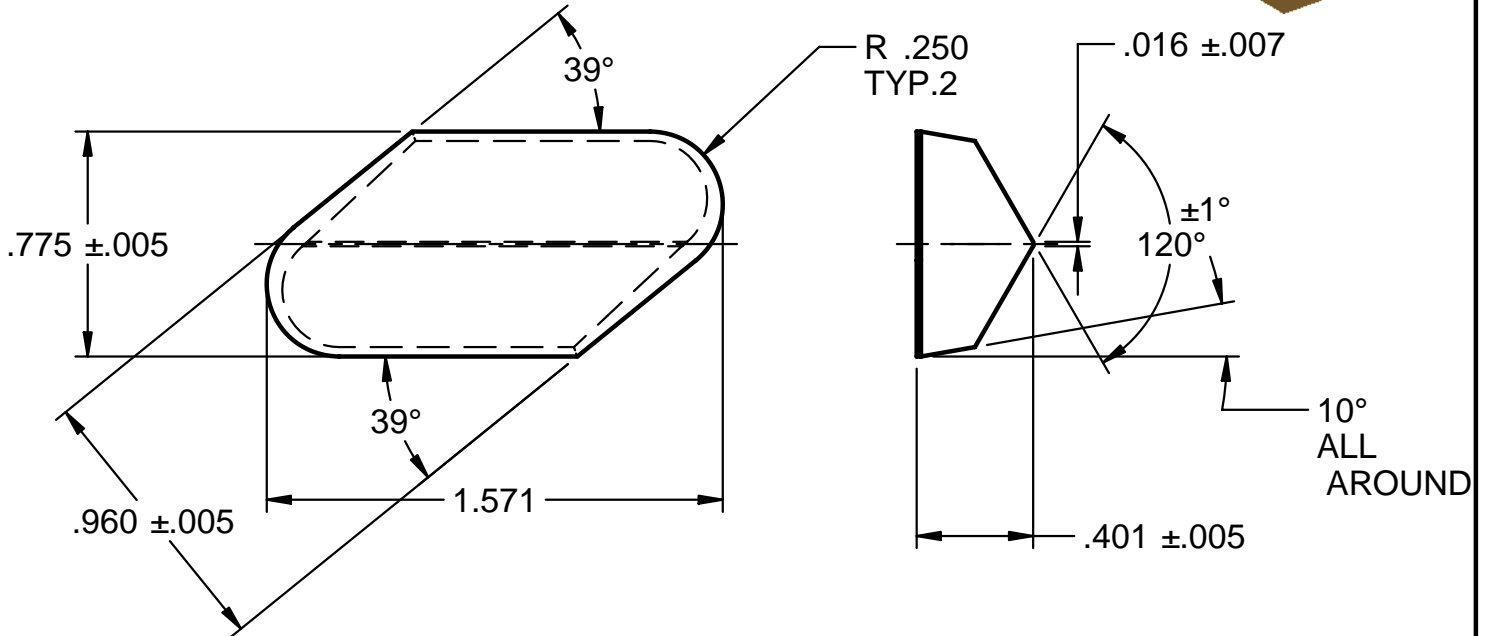
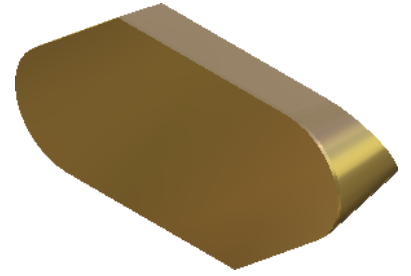
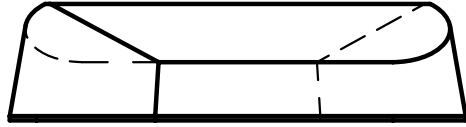




Tungste-Met

Style T-18034-5

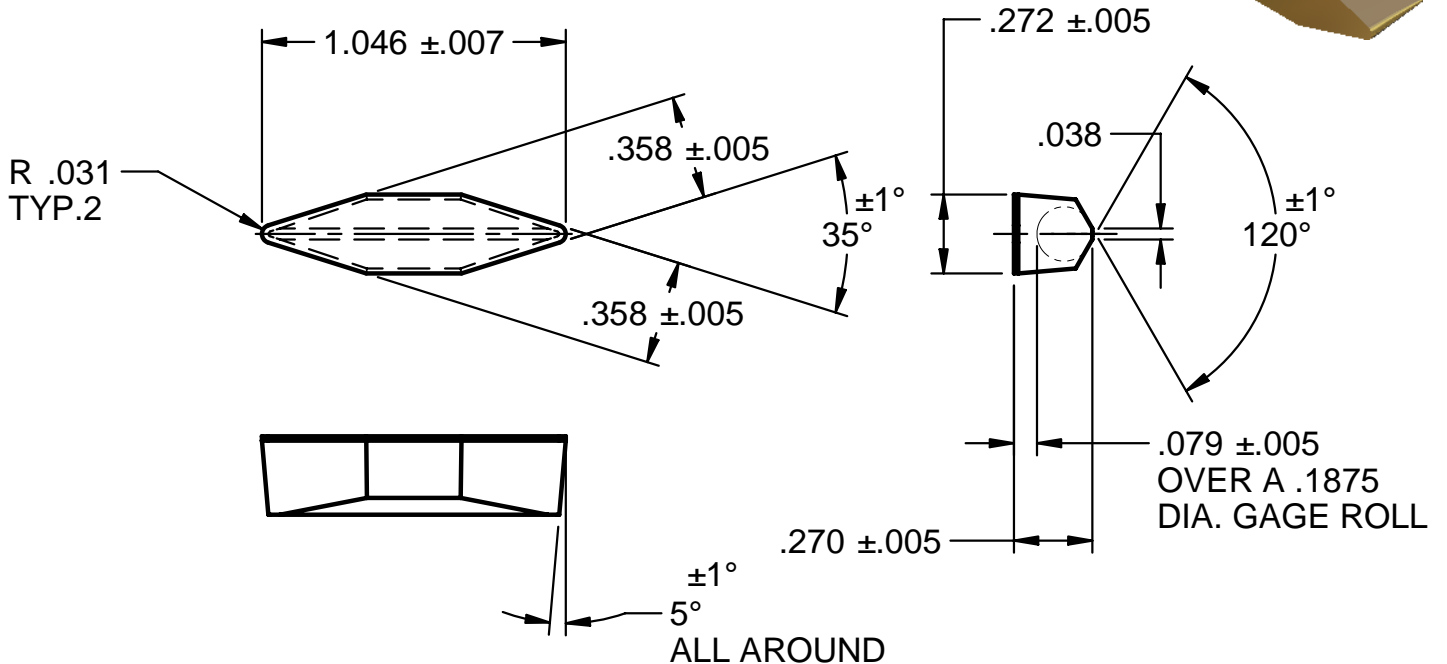
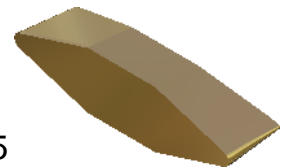
MA-3733



Tungste-Met

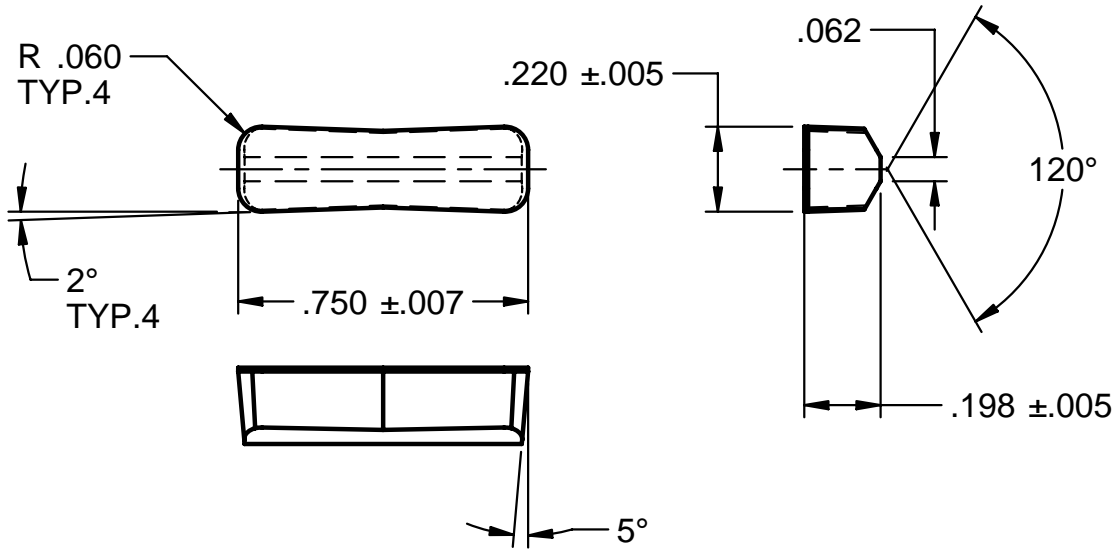
Style A-2873-A

MA-70223



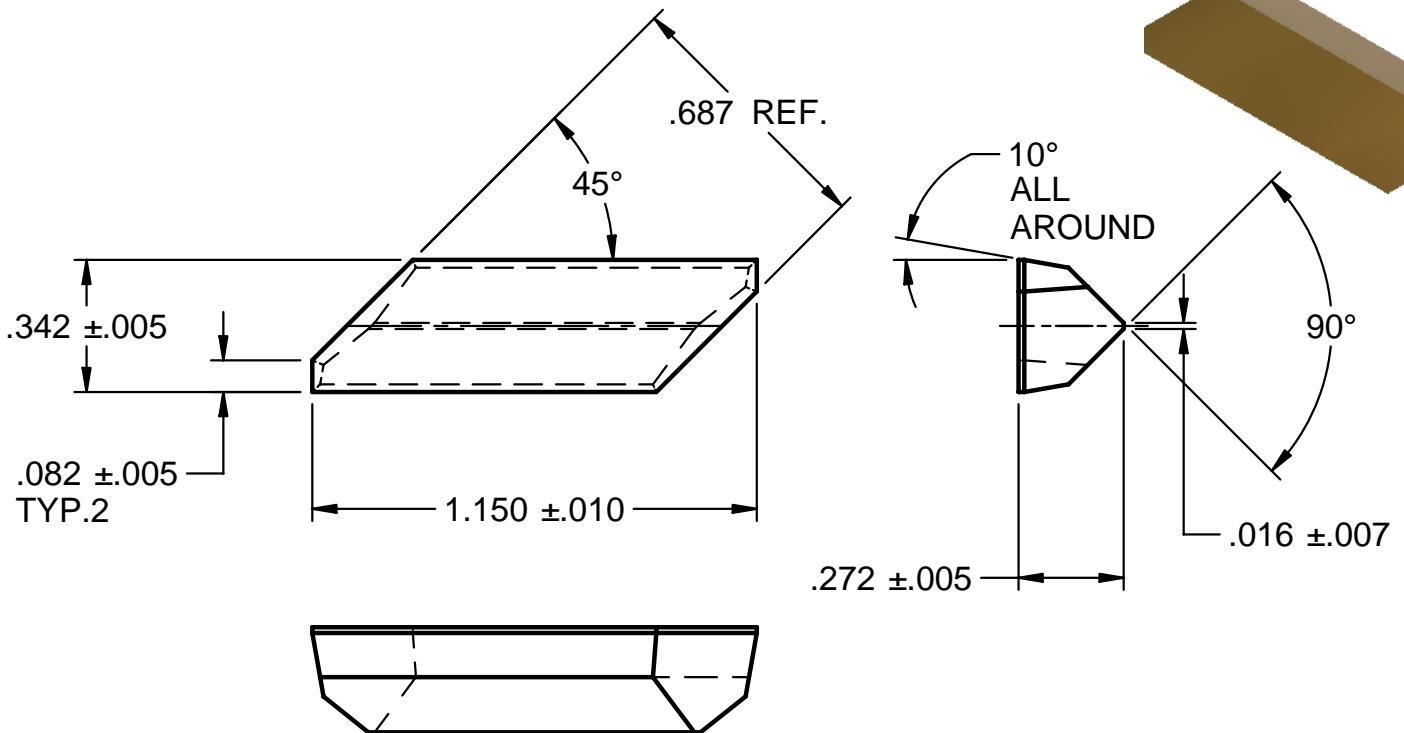
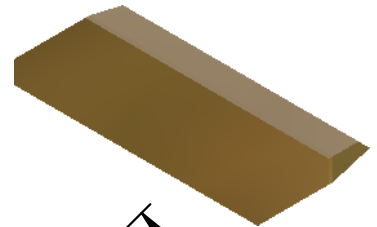
Tungste-Met

Style T-16719



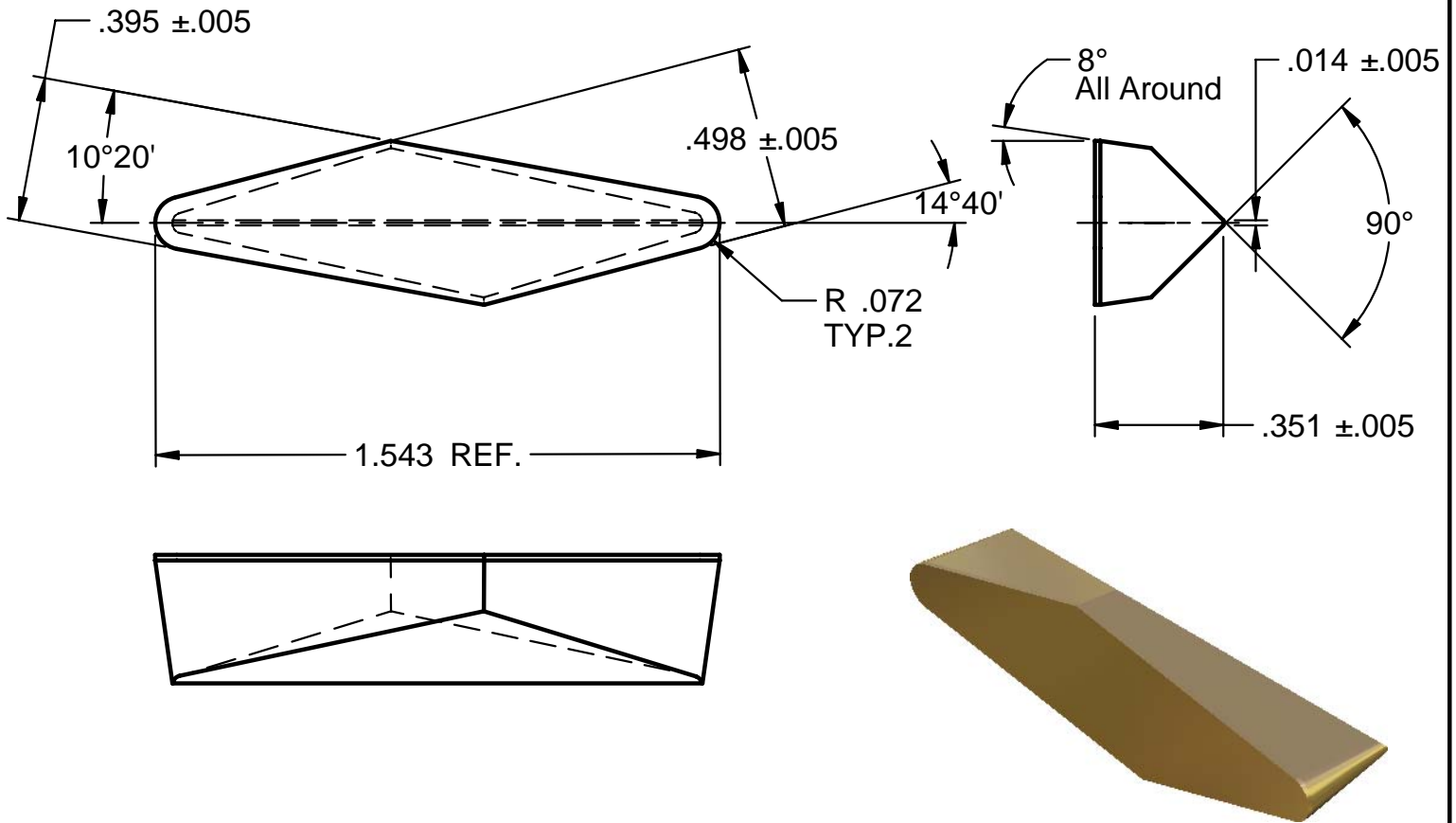
Tungste-Met

Style A-0267-A



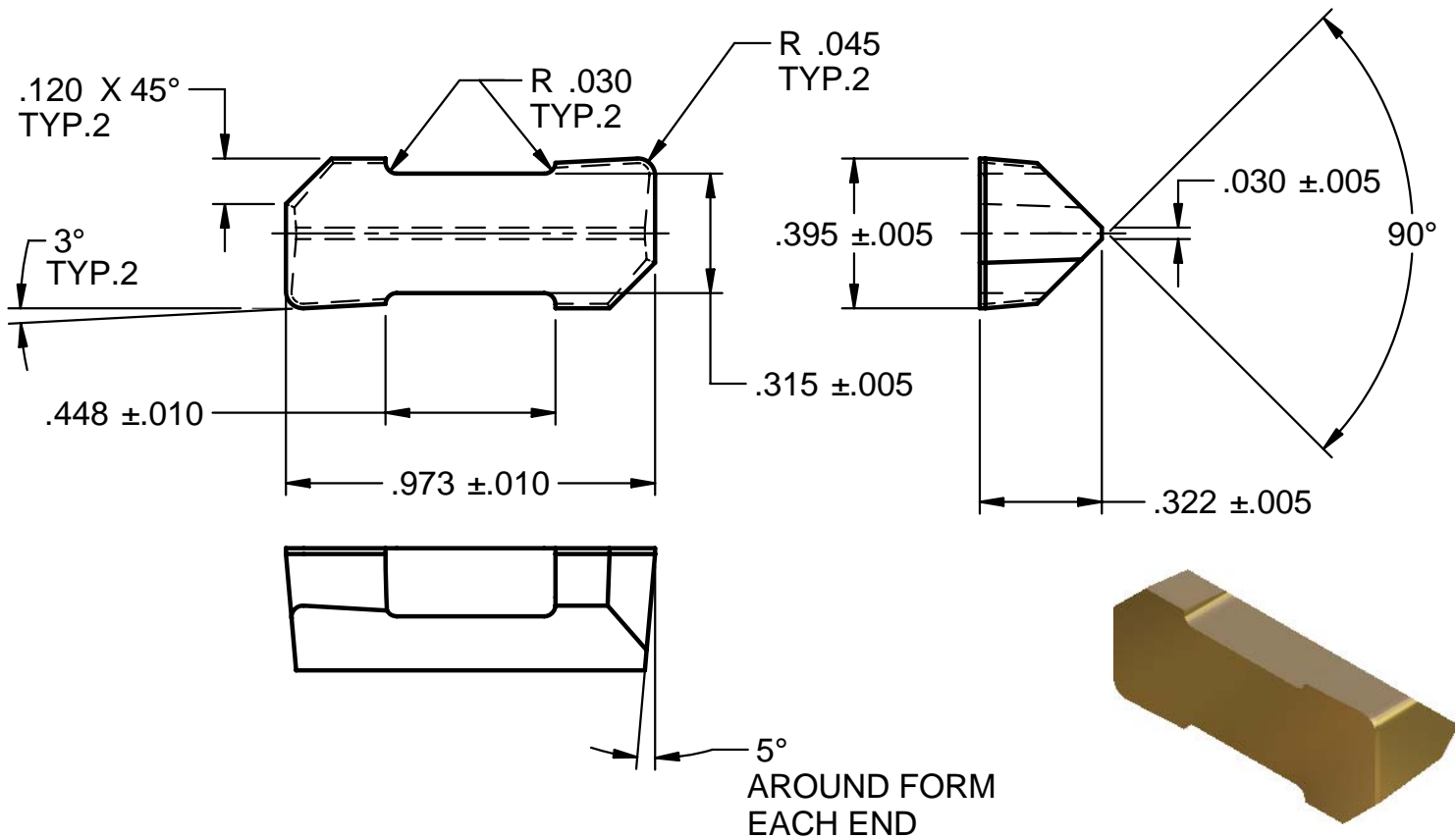
Tungste-Met

Style A-0503-A



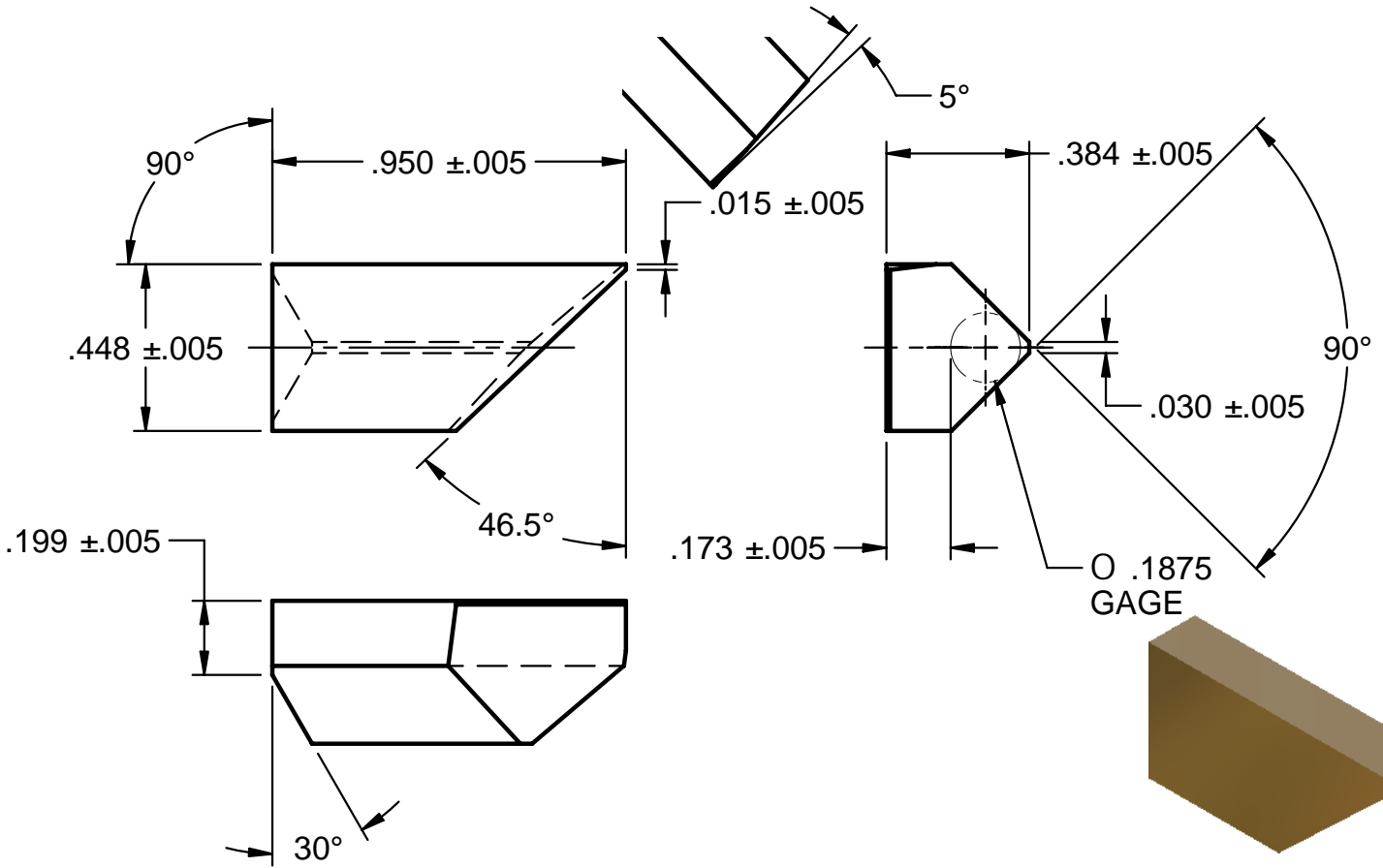
Tungste-Met

Style A-1591-A



Tungste-Met

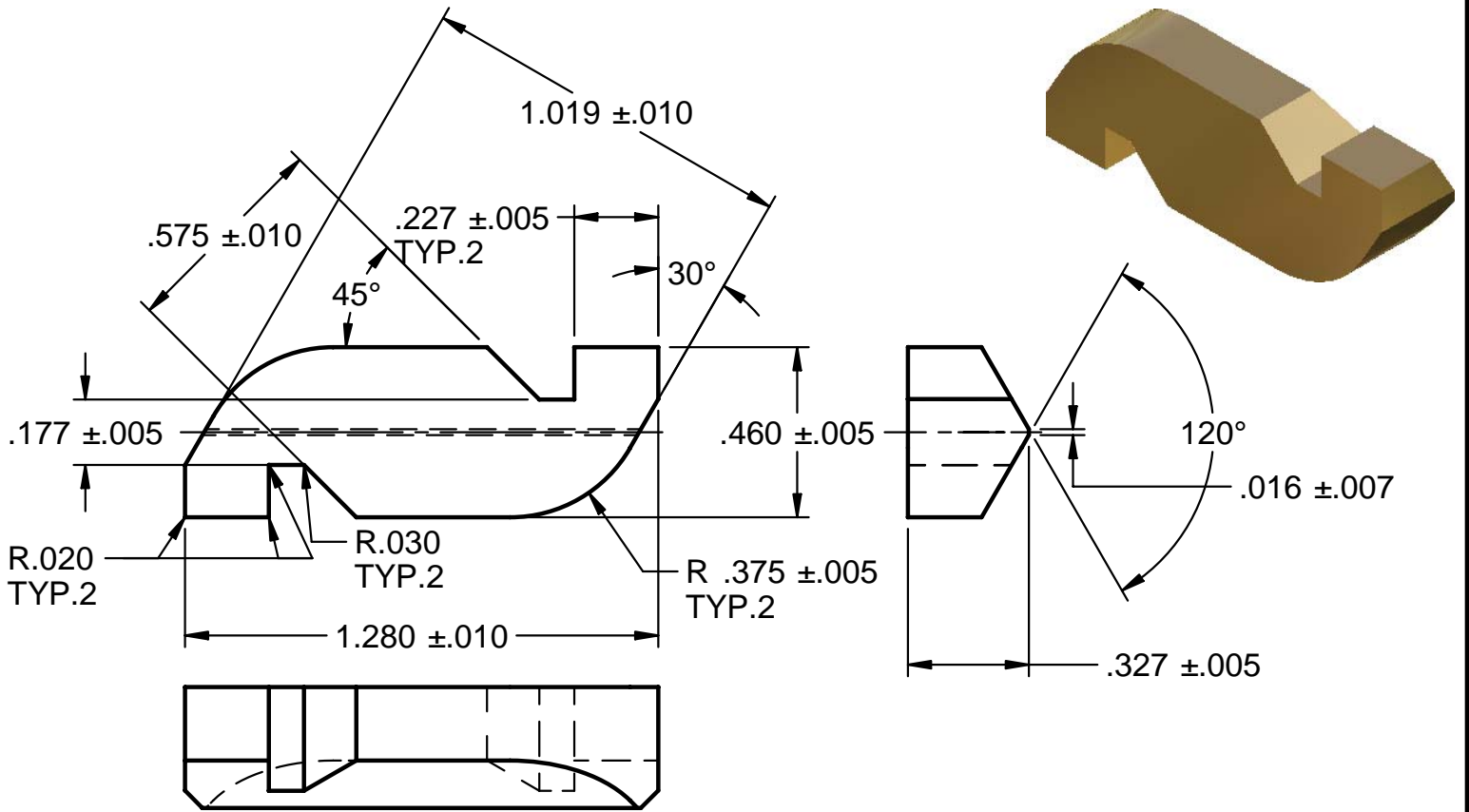
Style MA-69327



Tungste-Met

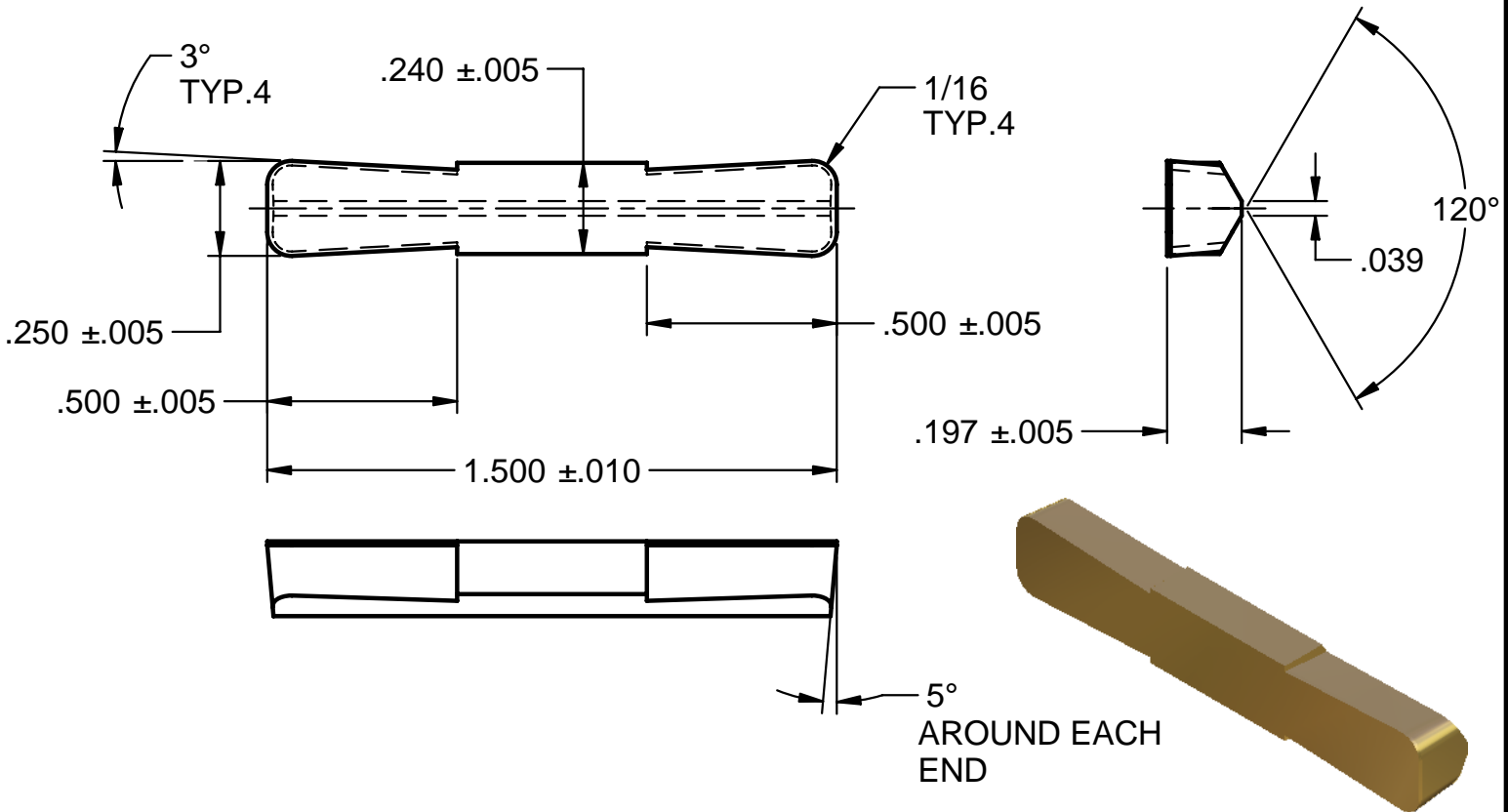
Style MA-70307

A-1503-D



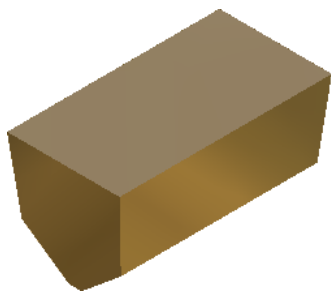
Tungste-Met

Style R-15282

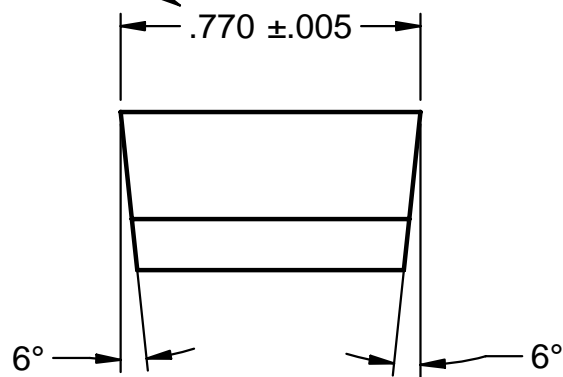
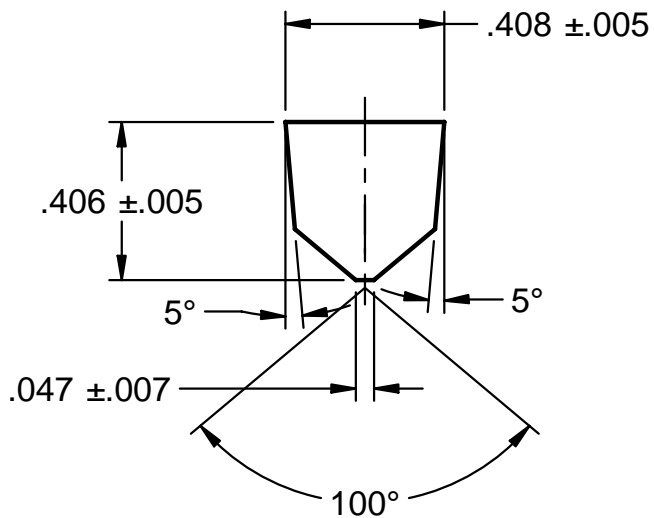
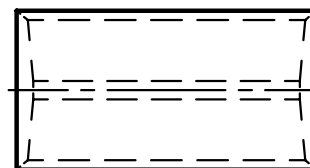


Tungste-Met

Style T-17773

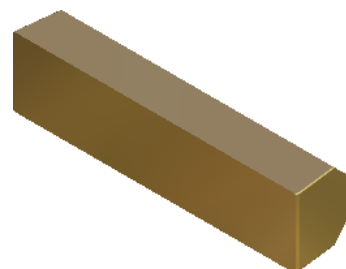
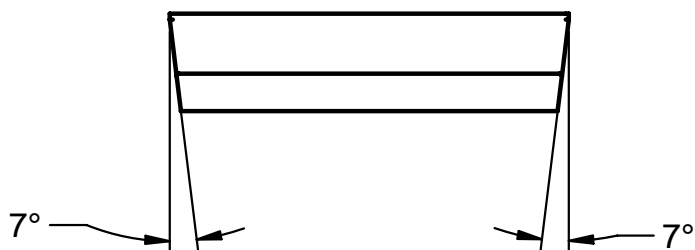
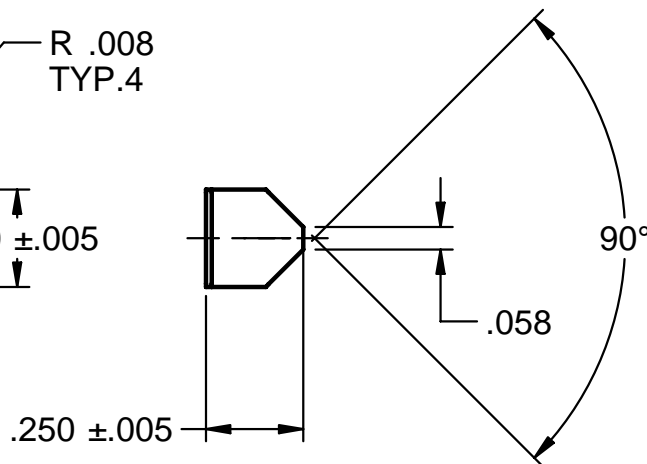
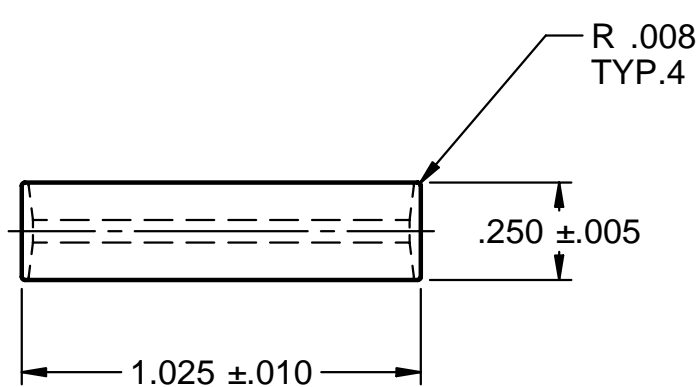


This Dimension Can Be Pressed Larger or Smaller



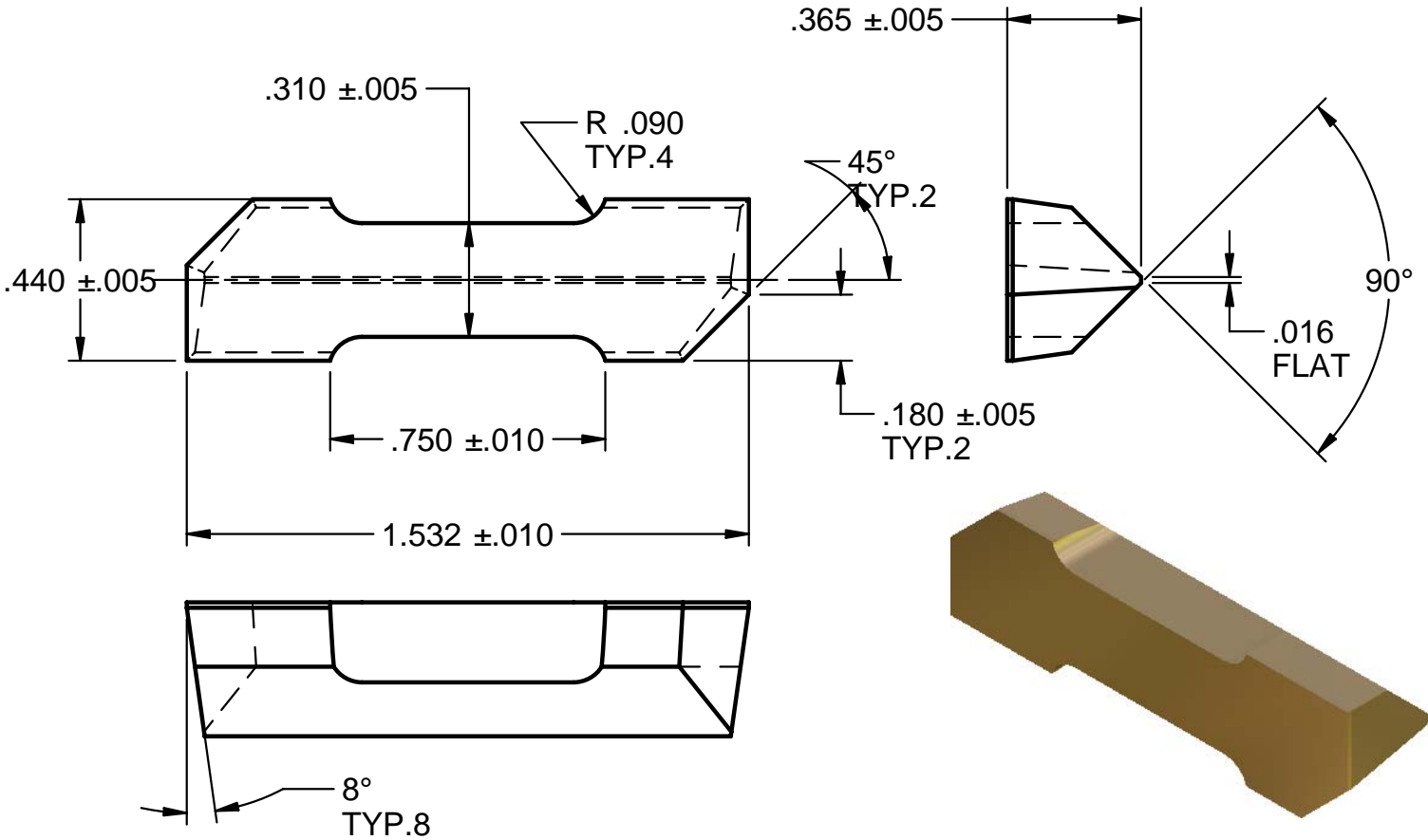
Tungste-Met

Style A-2163-A



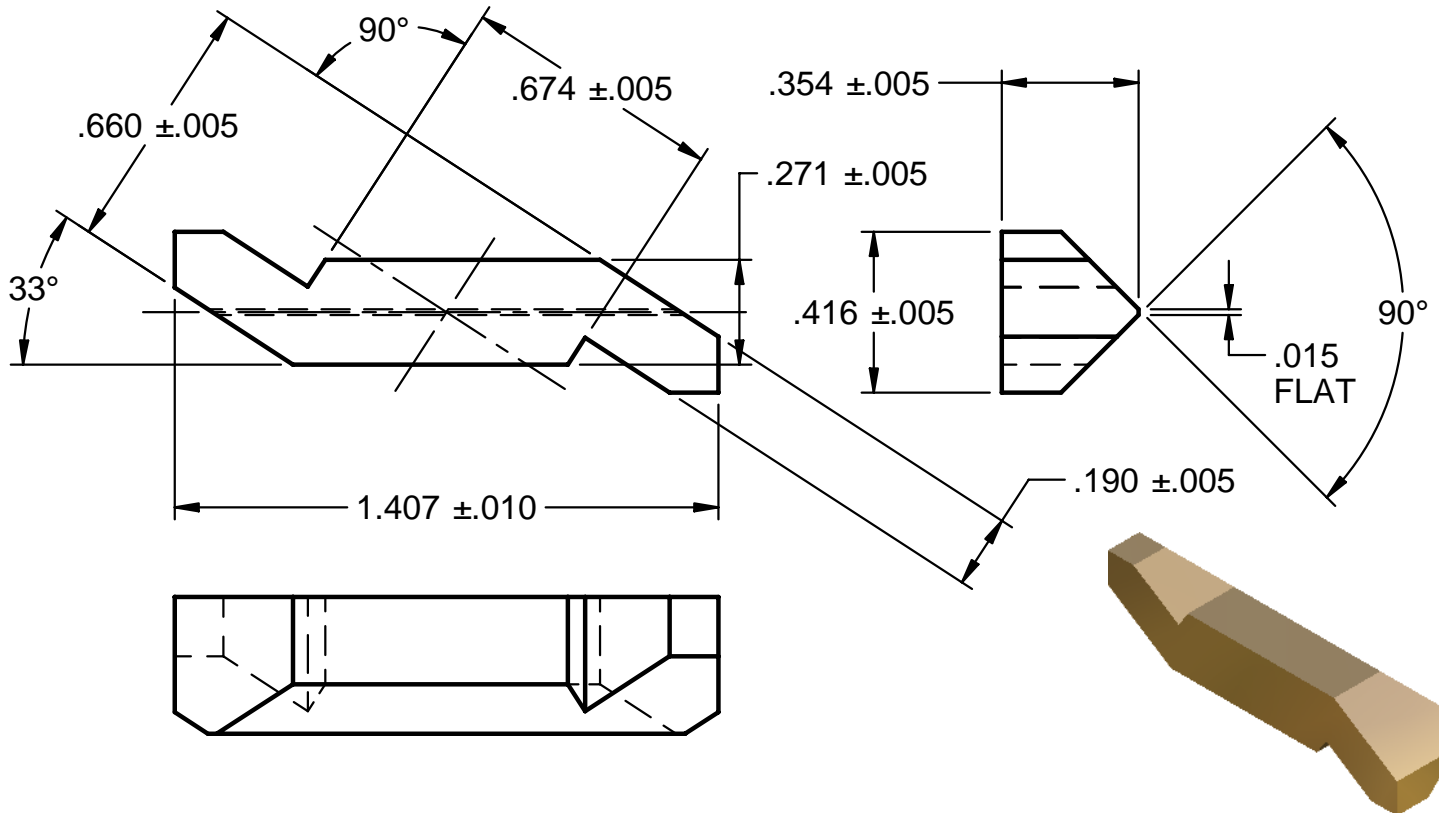
Tungste-Met

Style A-2346-B



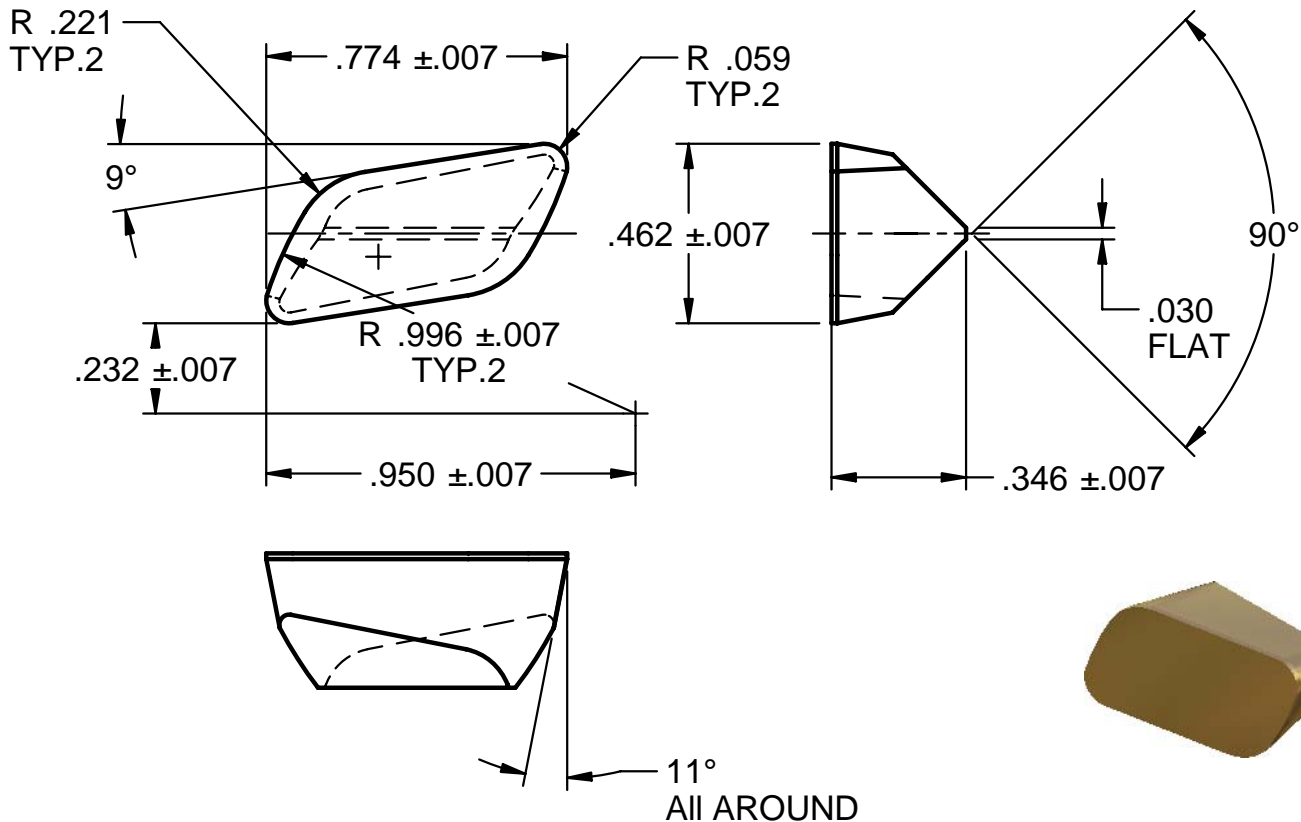
Tungste-Met

Style A-2382-B



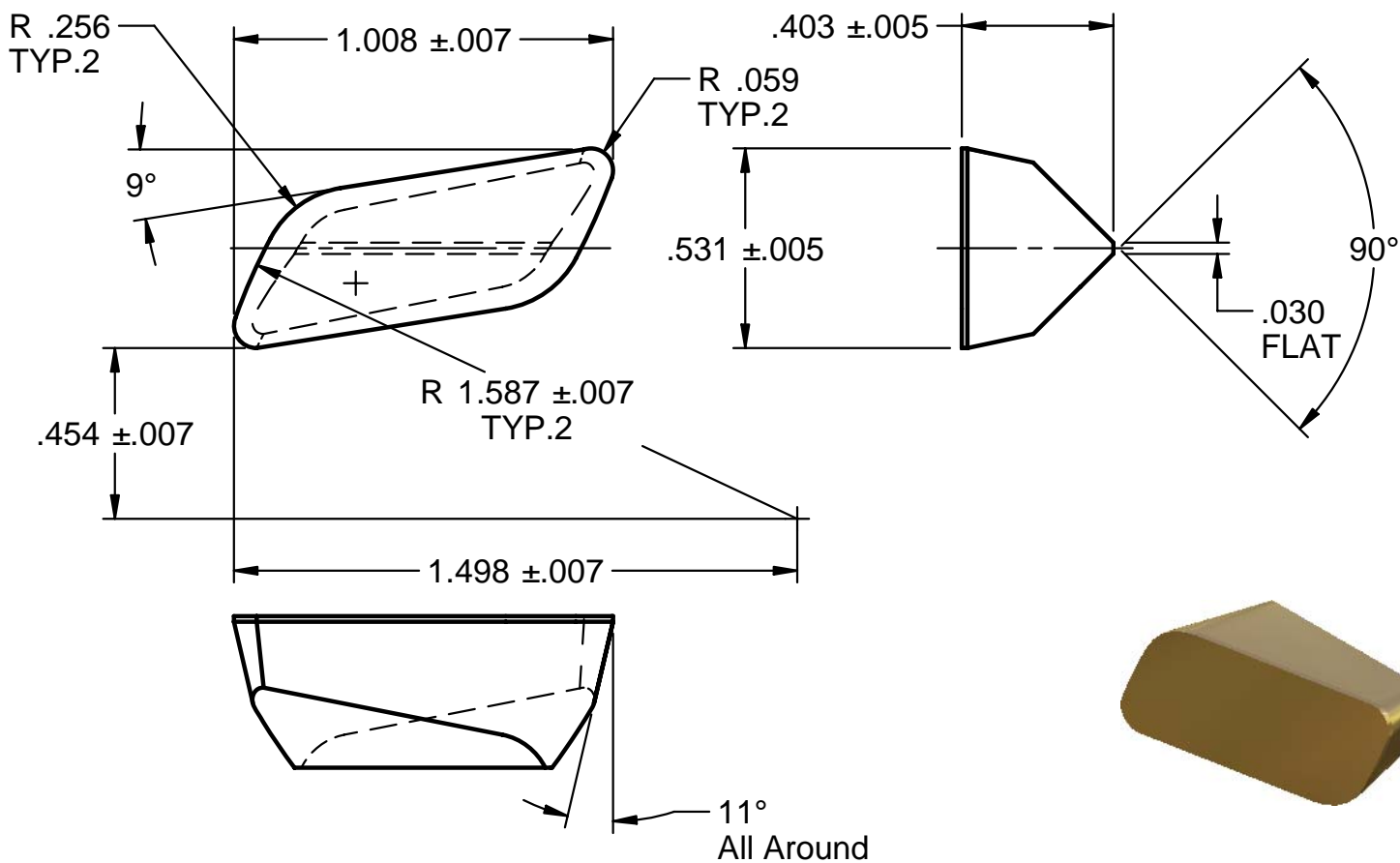
Tungste-Met

Style A-2276-B-1



Tungste-Met

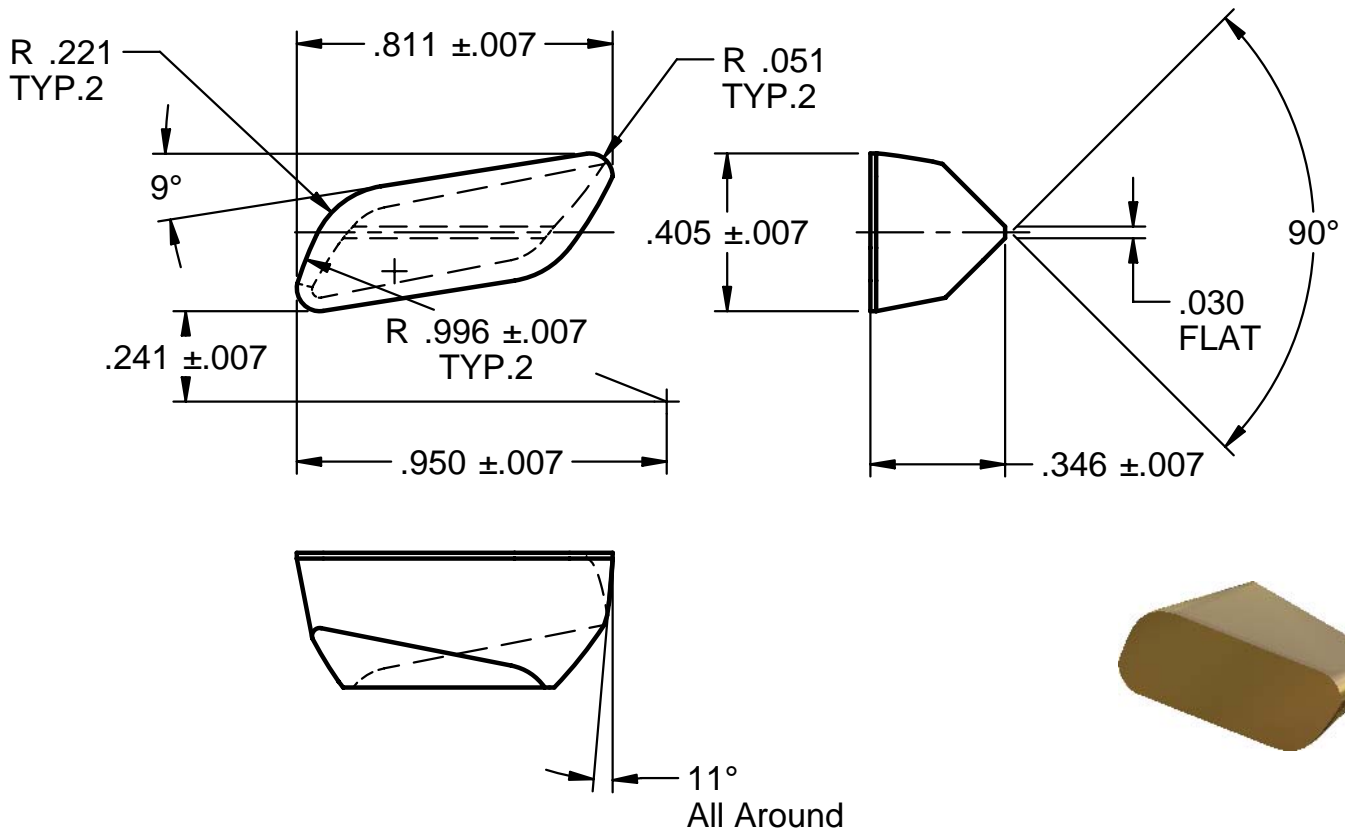
Style A-2276-B-2





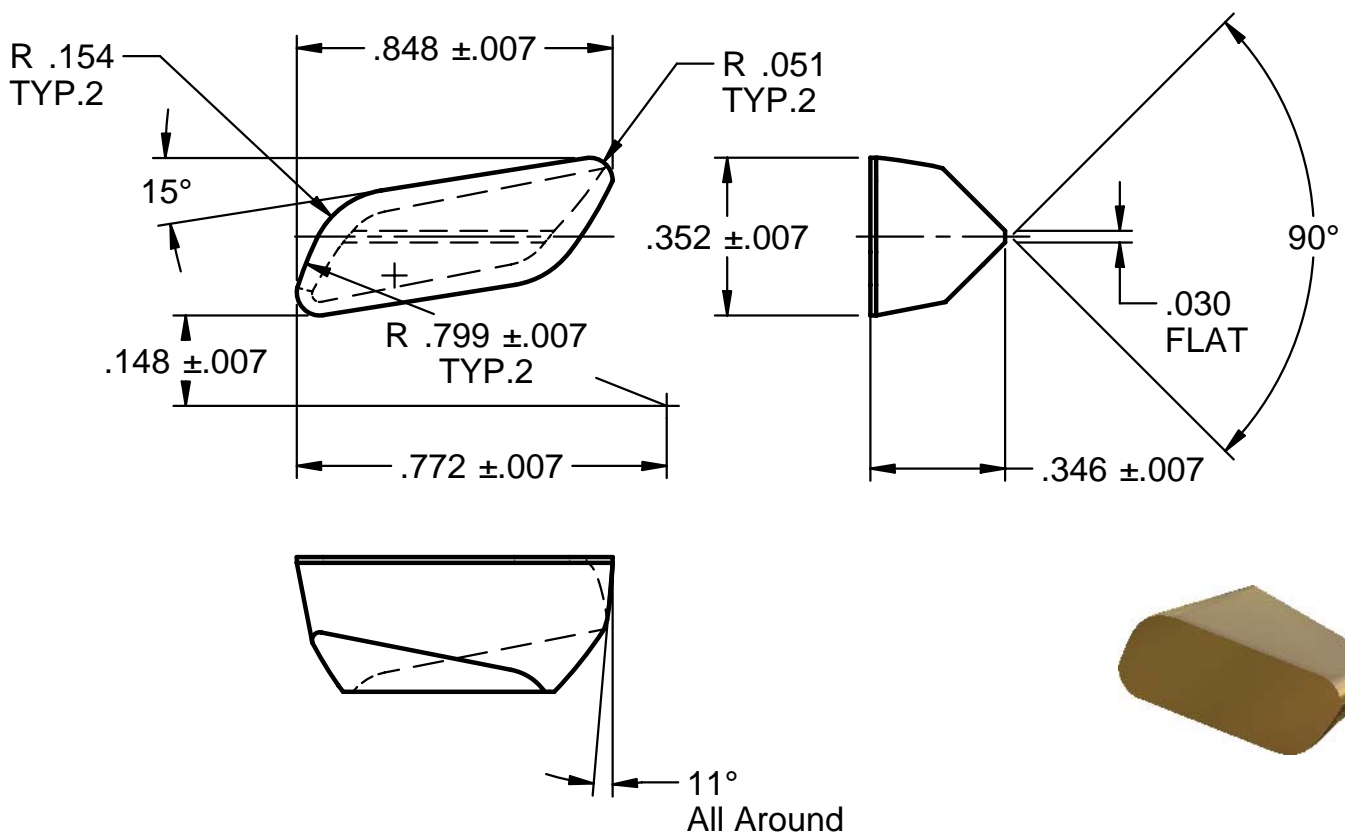
Tungste-Met

Style A-2276-B-3



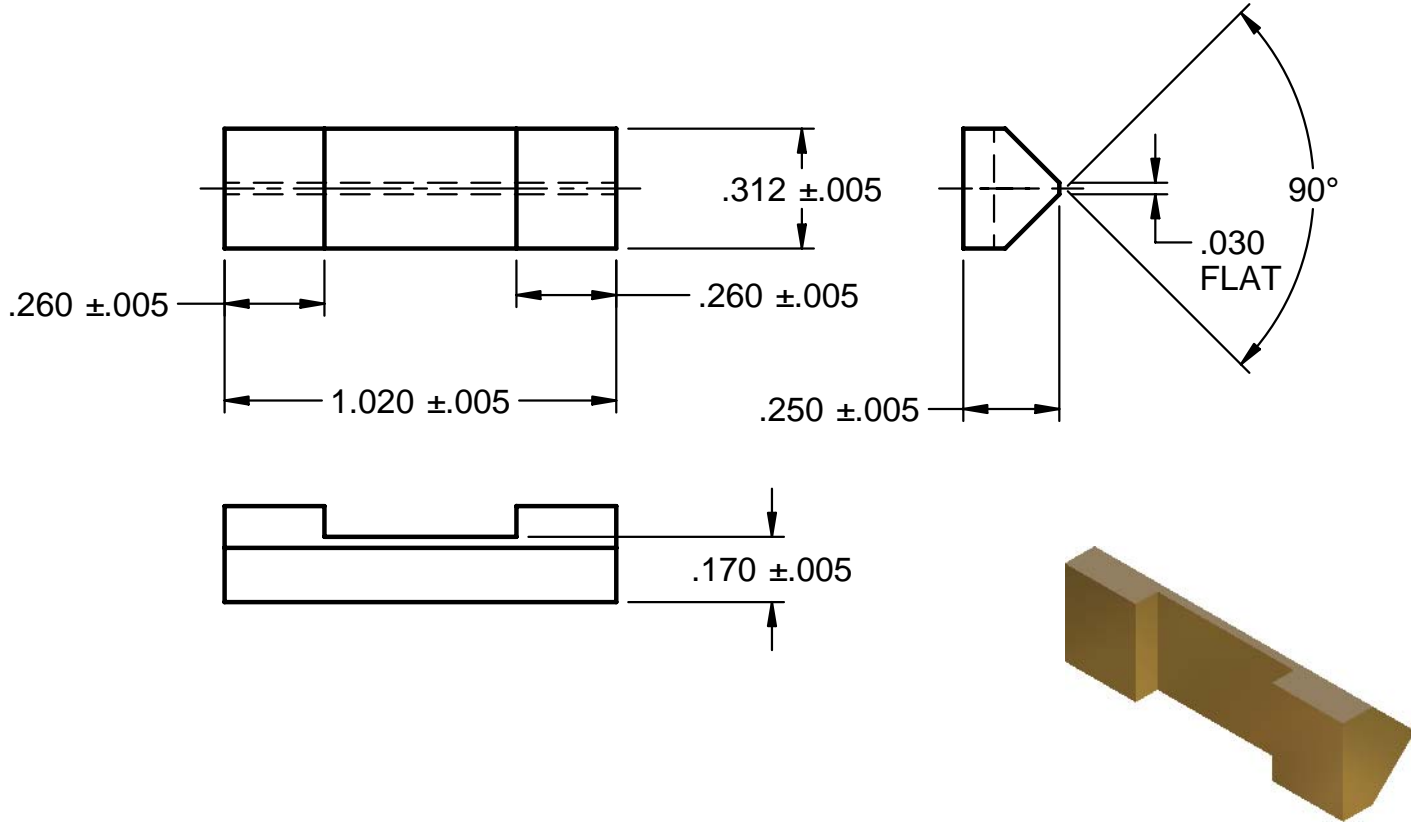
Tungste-Met

Style A-2276-B-4



Tungste-Met

Style A-1048-C-1



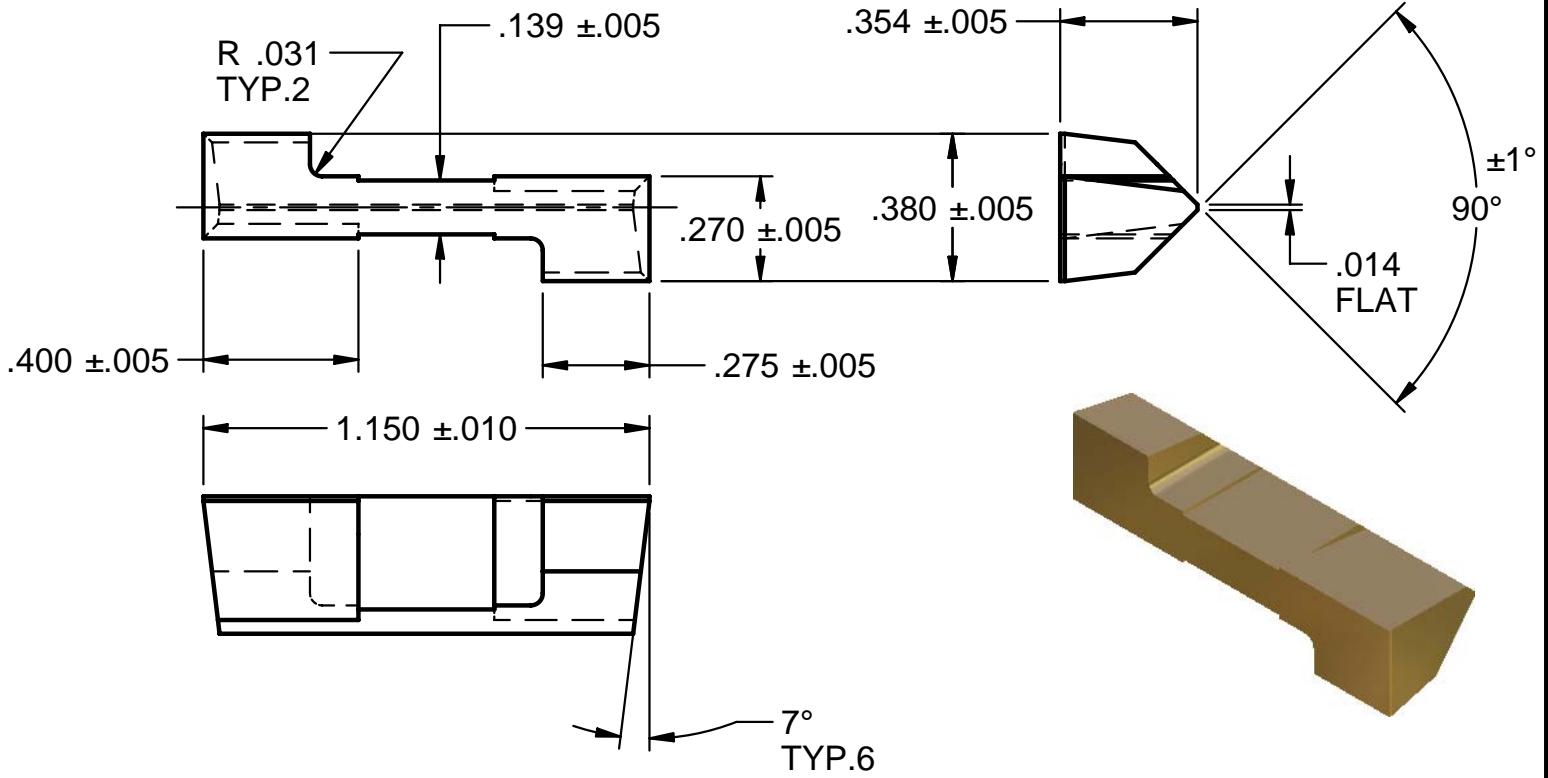
Tungste-Met

Style



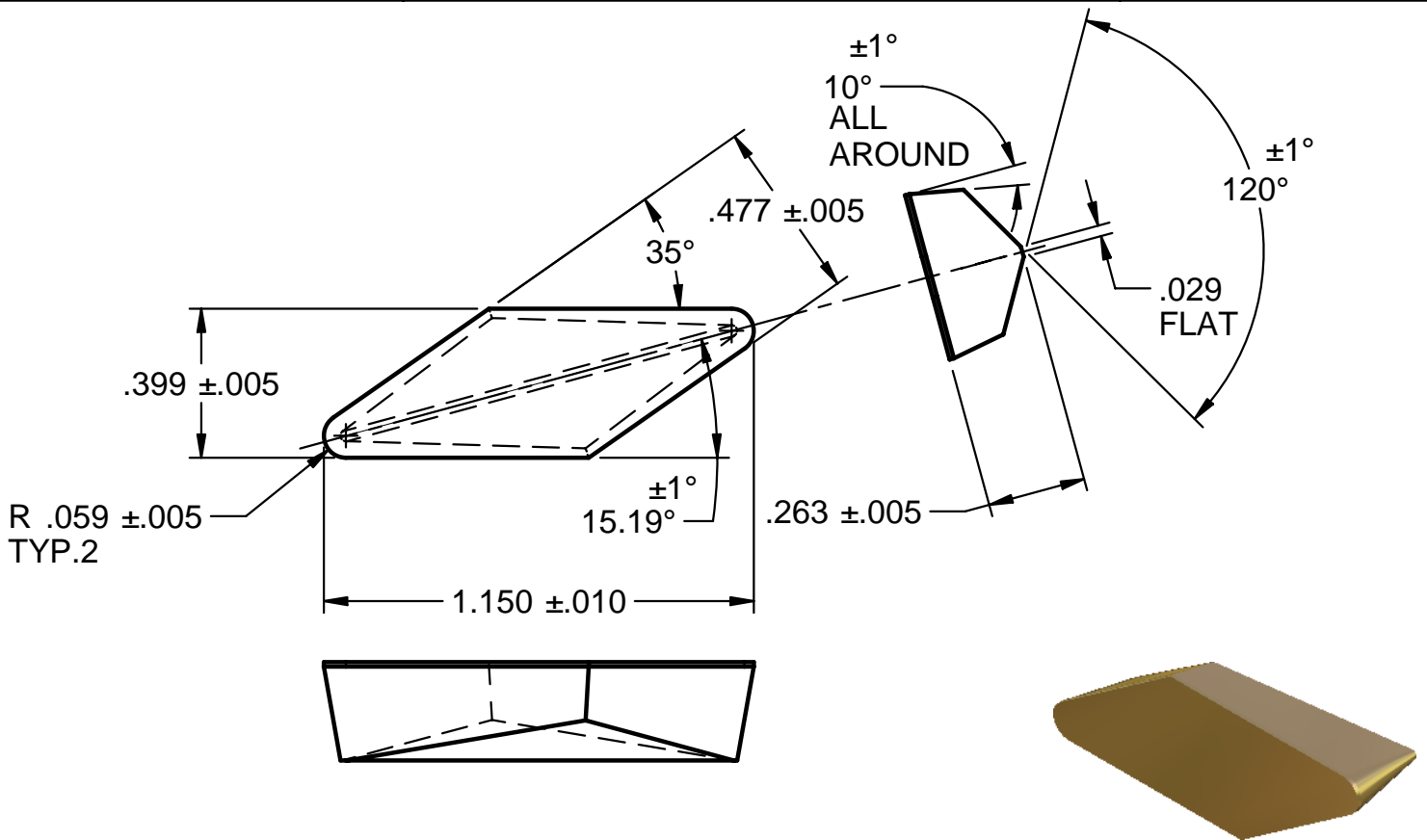
Tungste-Met

Style A-0461-A



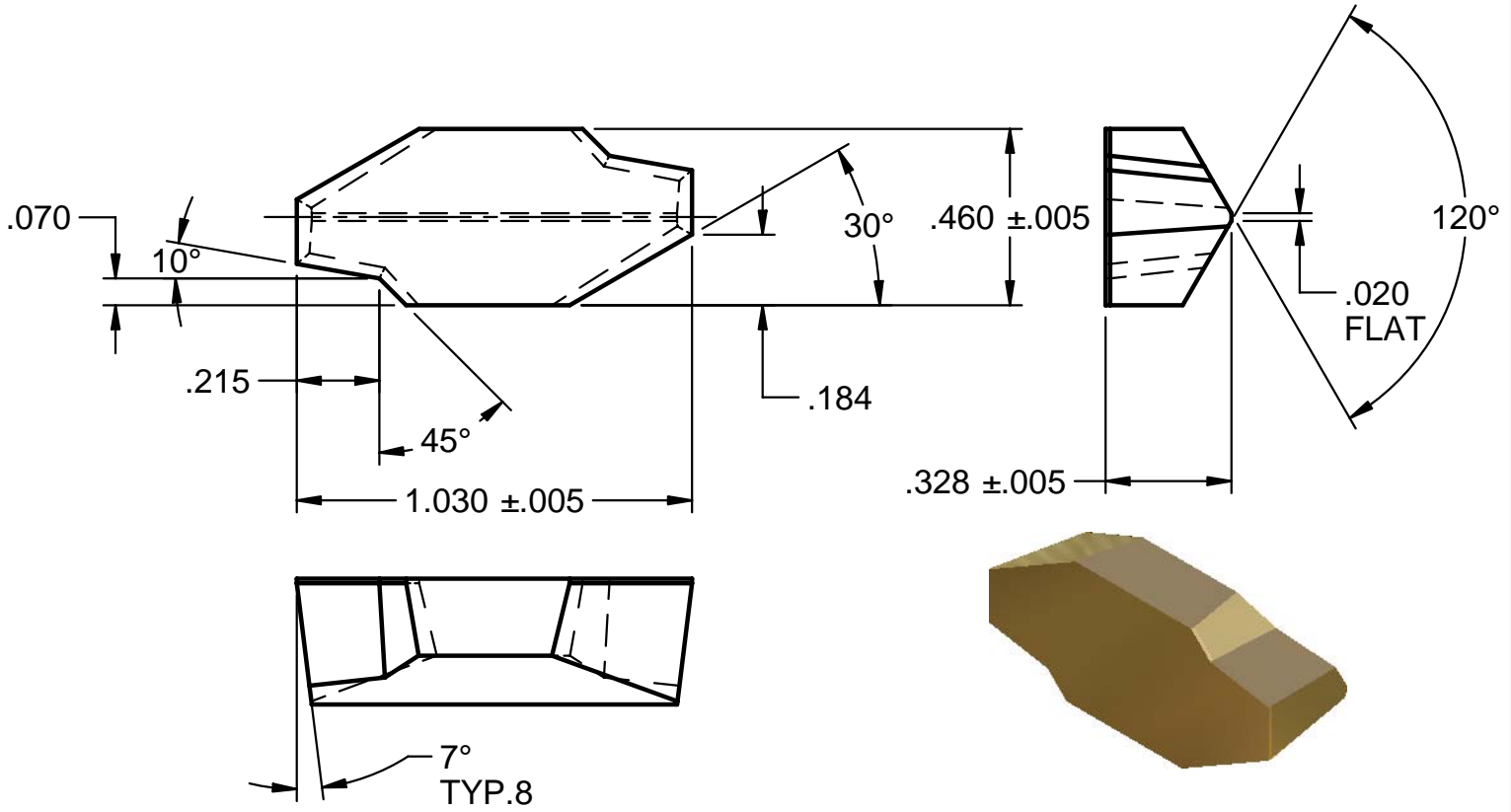
Tungste-Met

Style A-2523-B



Tungste-Met

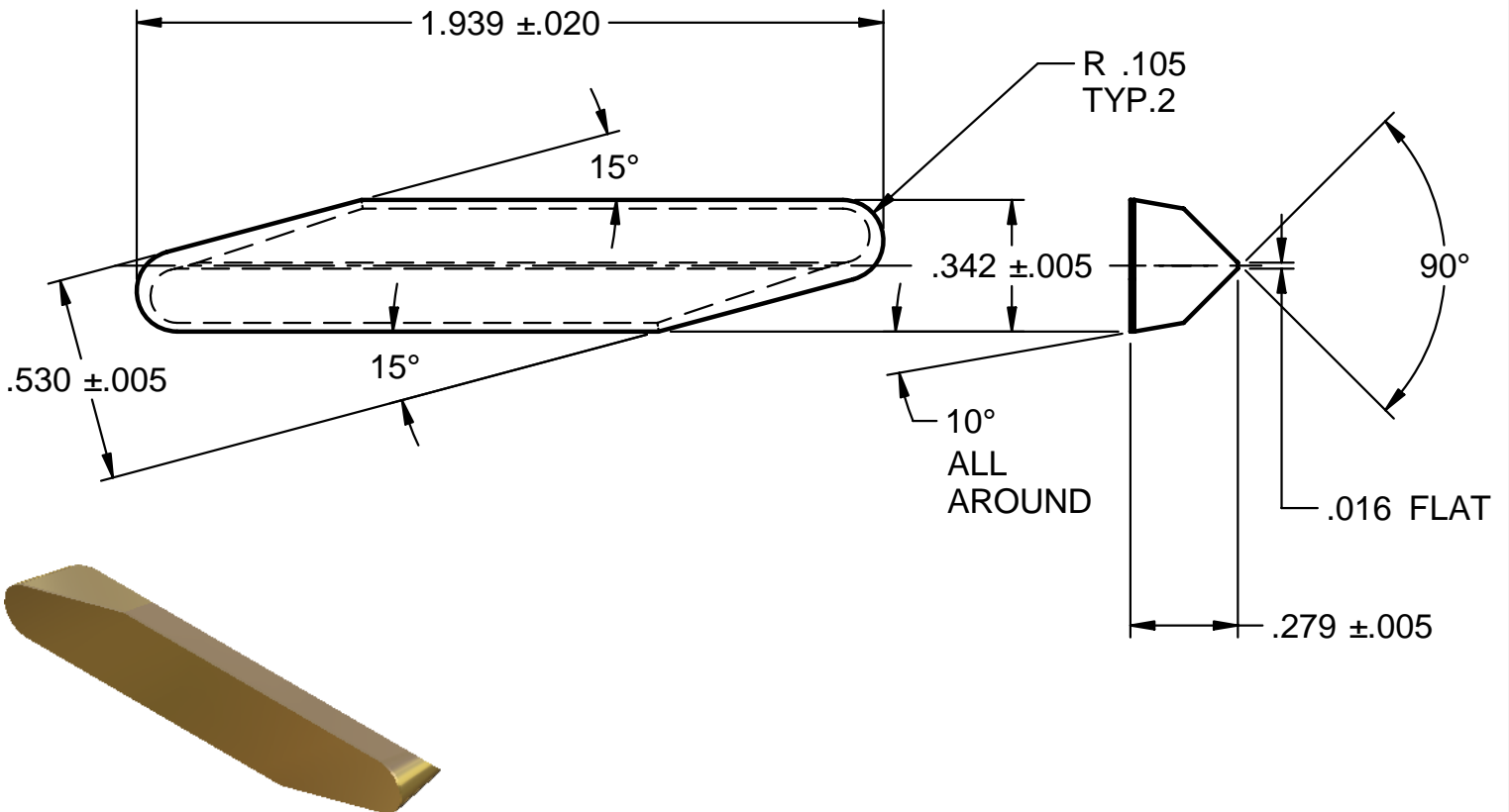
Style A-0543-A



Tungste-Met

Style T-15913

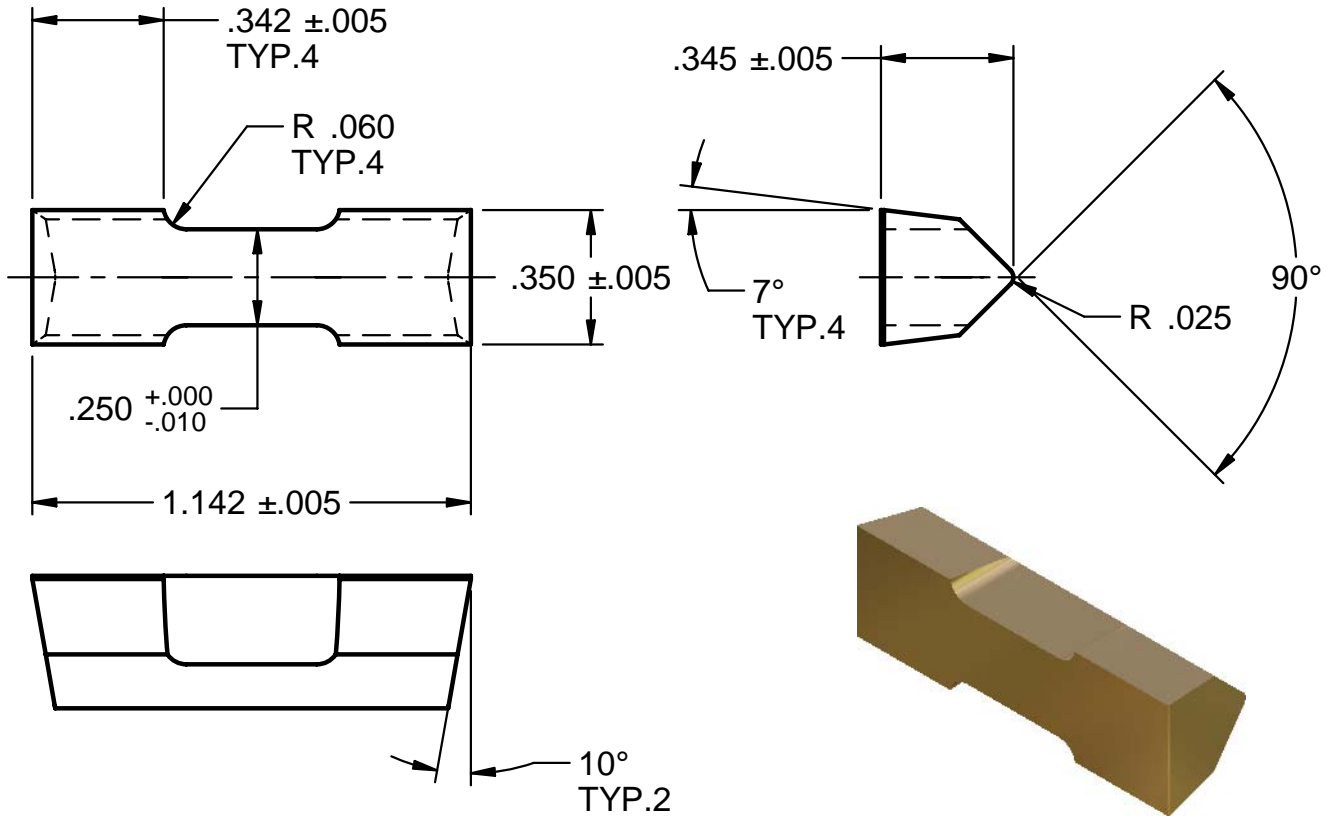
MA-3169



Tungste-Met

Style LX-1225-1

MA-69471



Tungste-Met

Style V85

