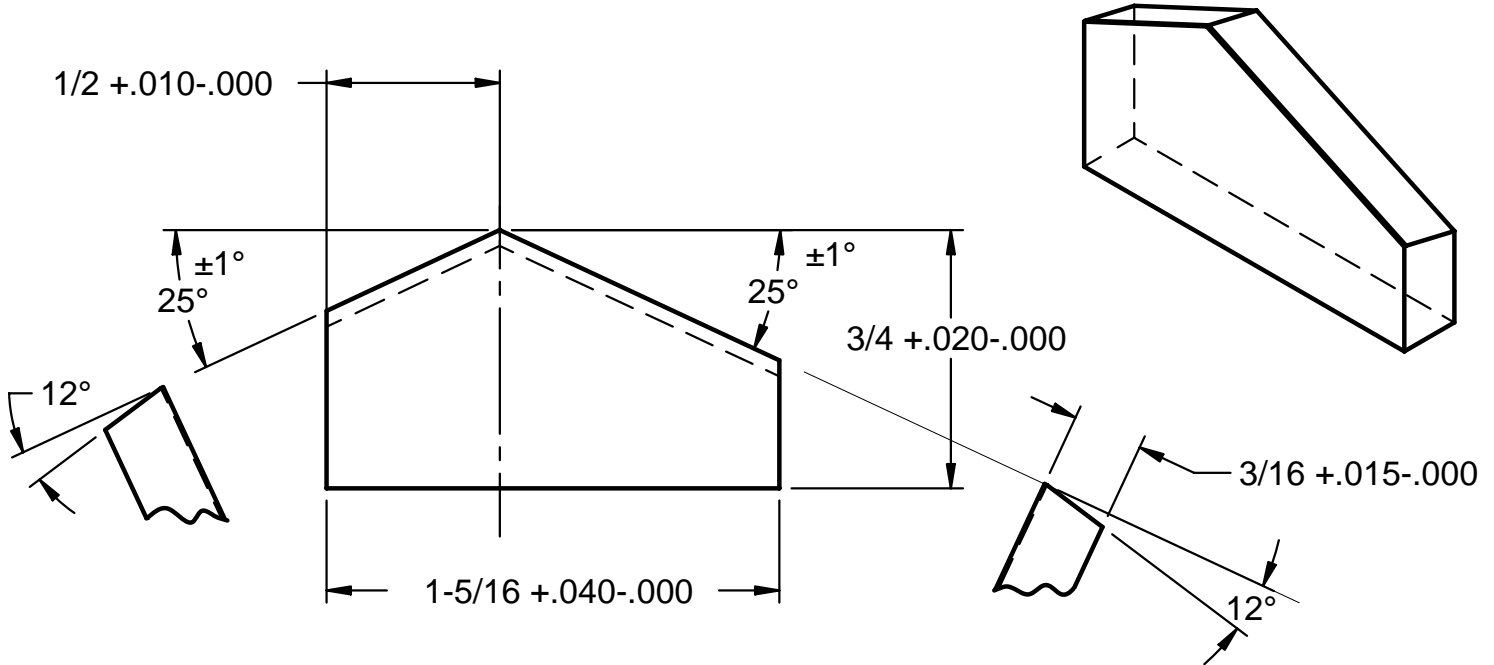


Tungste-Met

Style T-14064

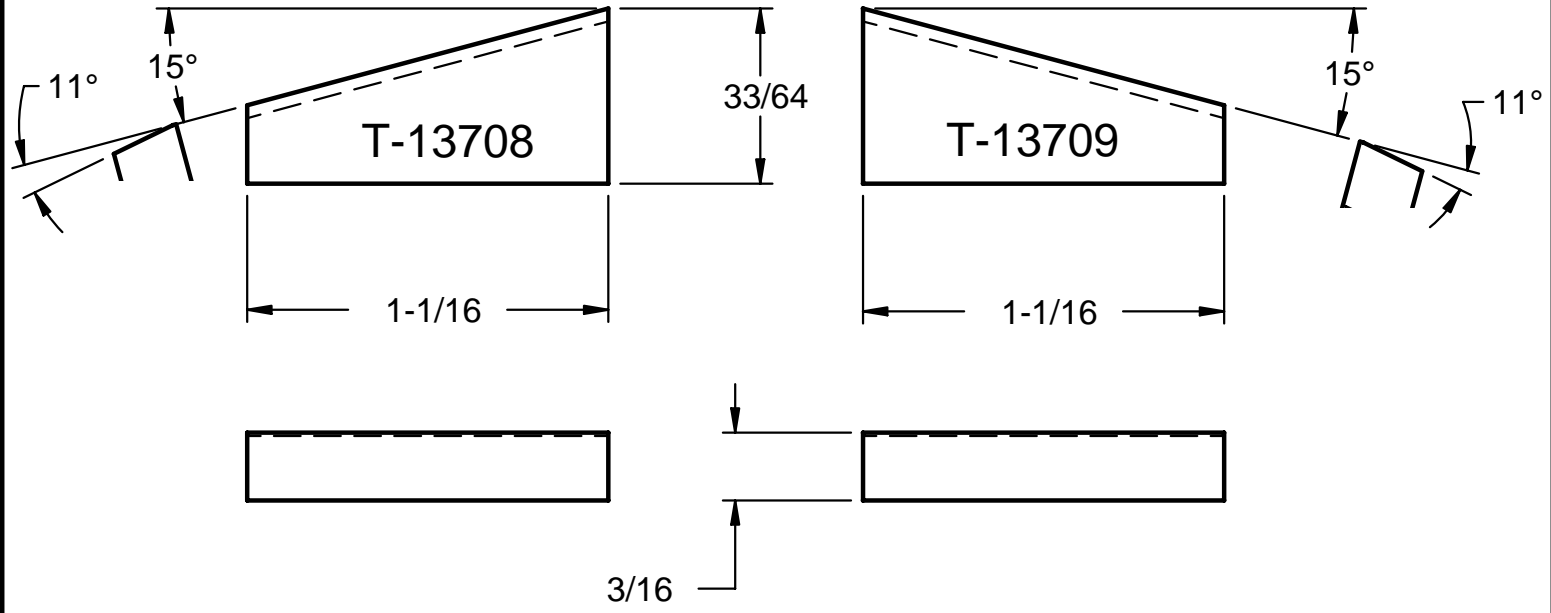
Geo-Physical
Blank



Tungste-Met

Style T-13708/09

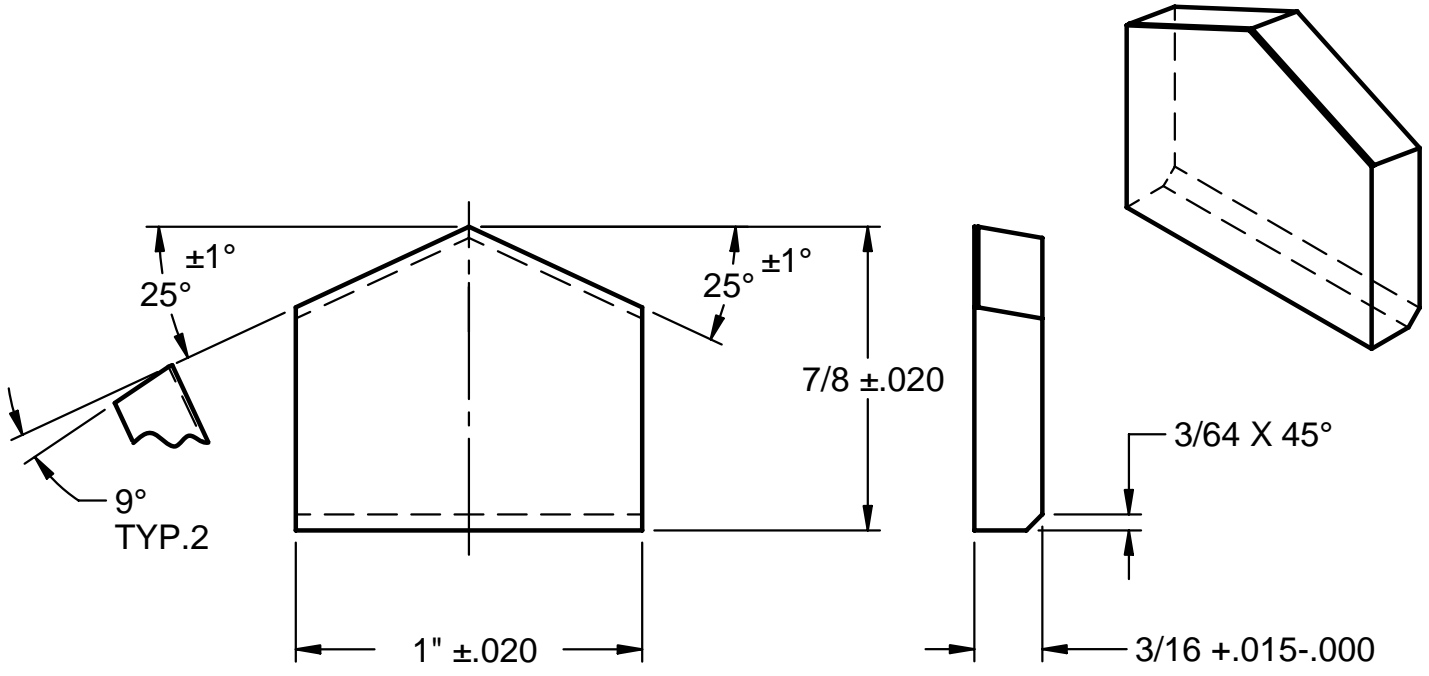
Geo-Physical
Blank



Tungste-Met

Style T-16583

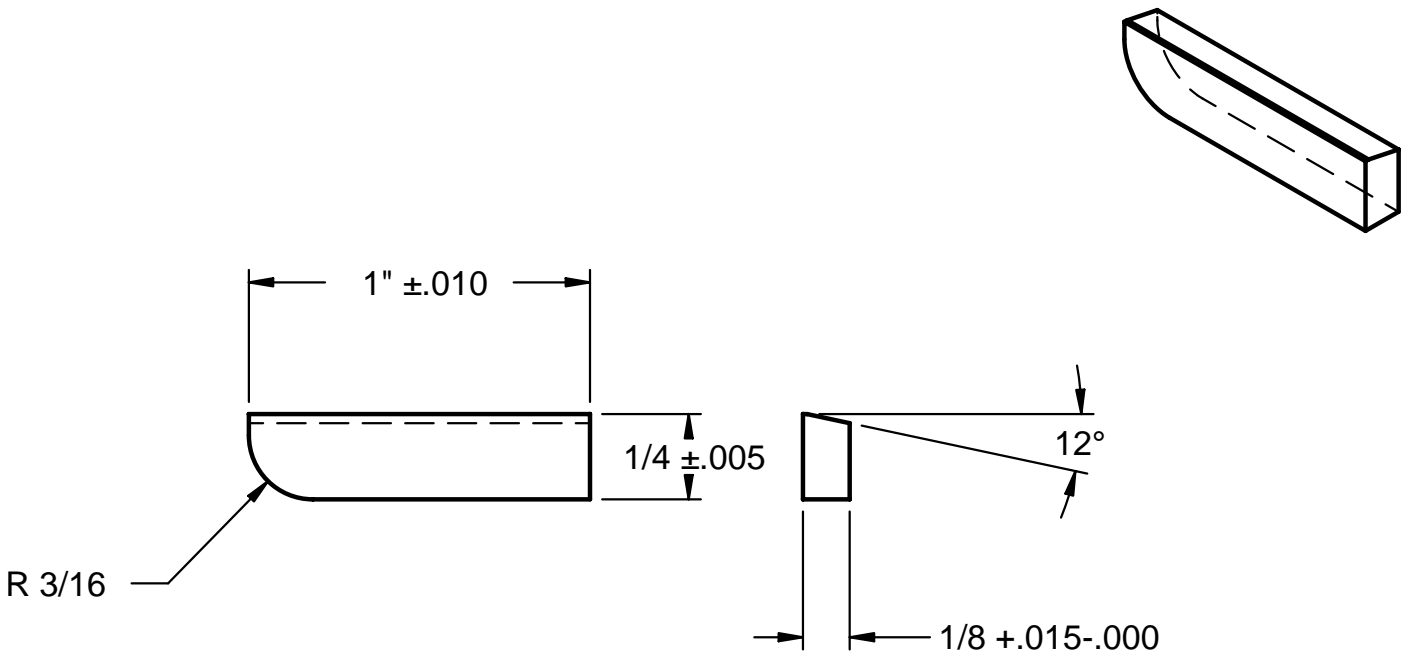
Geo-Physical
Blank



Tungste-Met

Style T-13656

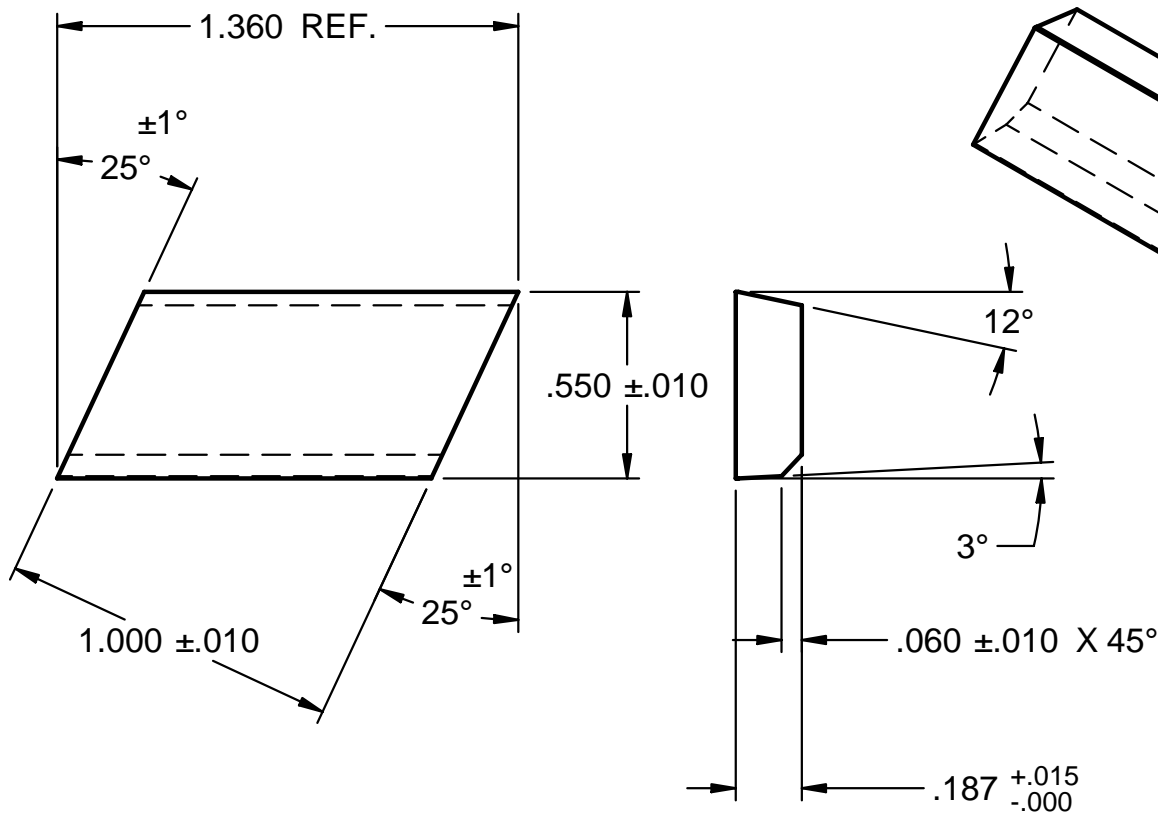
Geo-Physical
Blank



Tungste-Met

Style T-15769

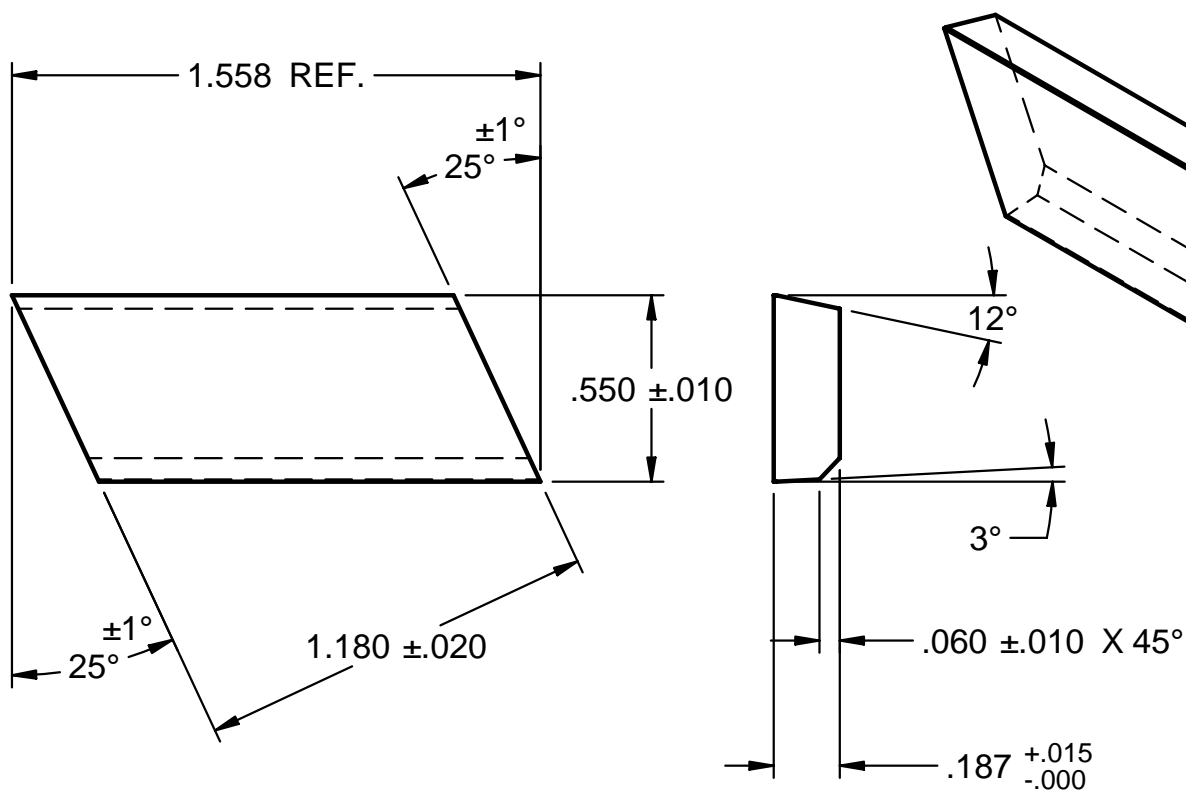
Geo-Physical
Blank



Tungste-Met

Style T-15768

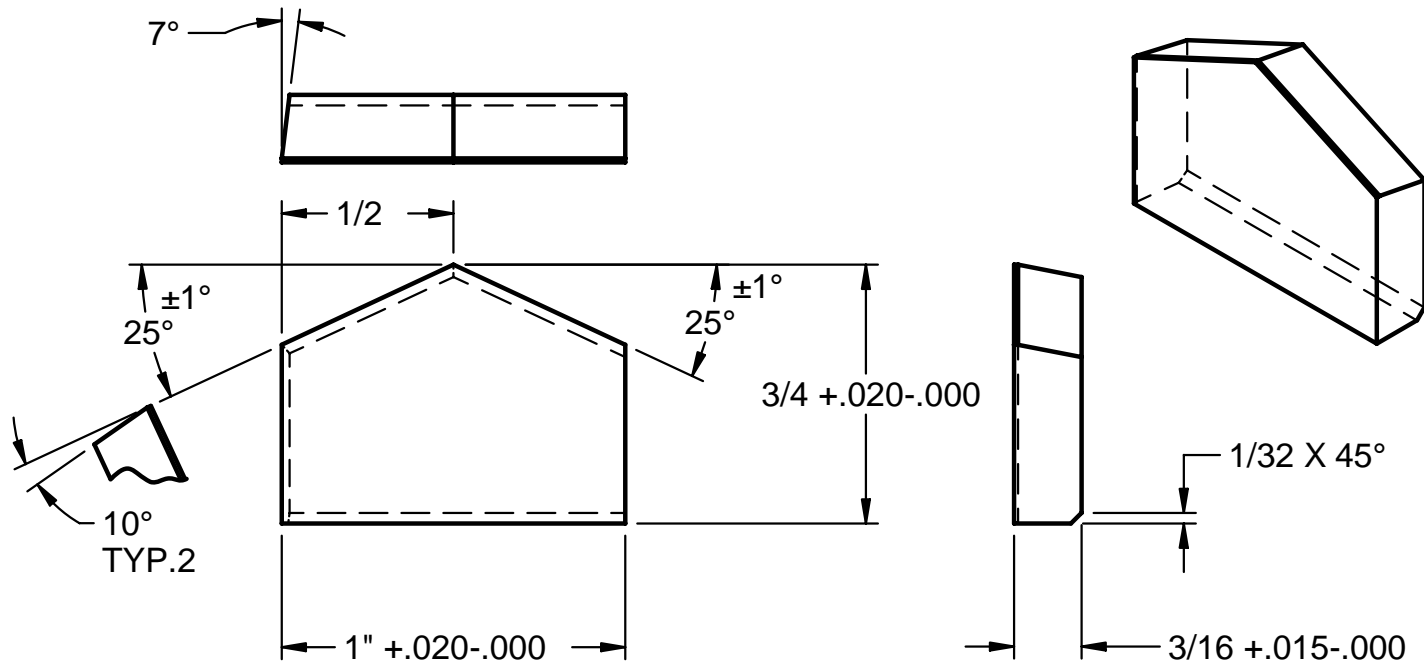
Geo-Physical
Blank



Tungste-Met

Style T-15503-1

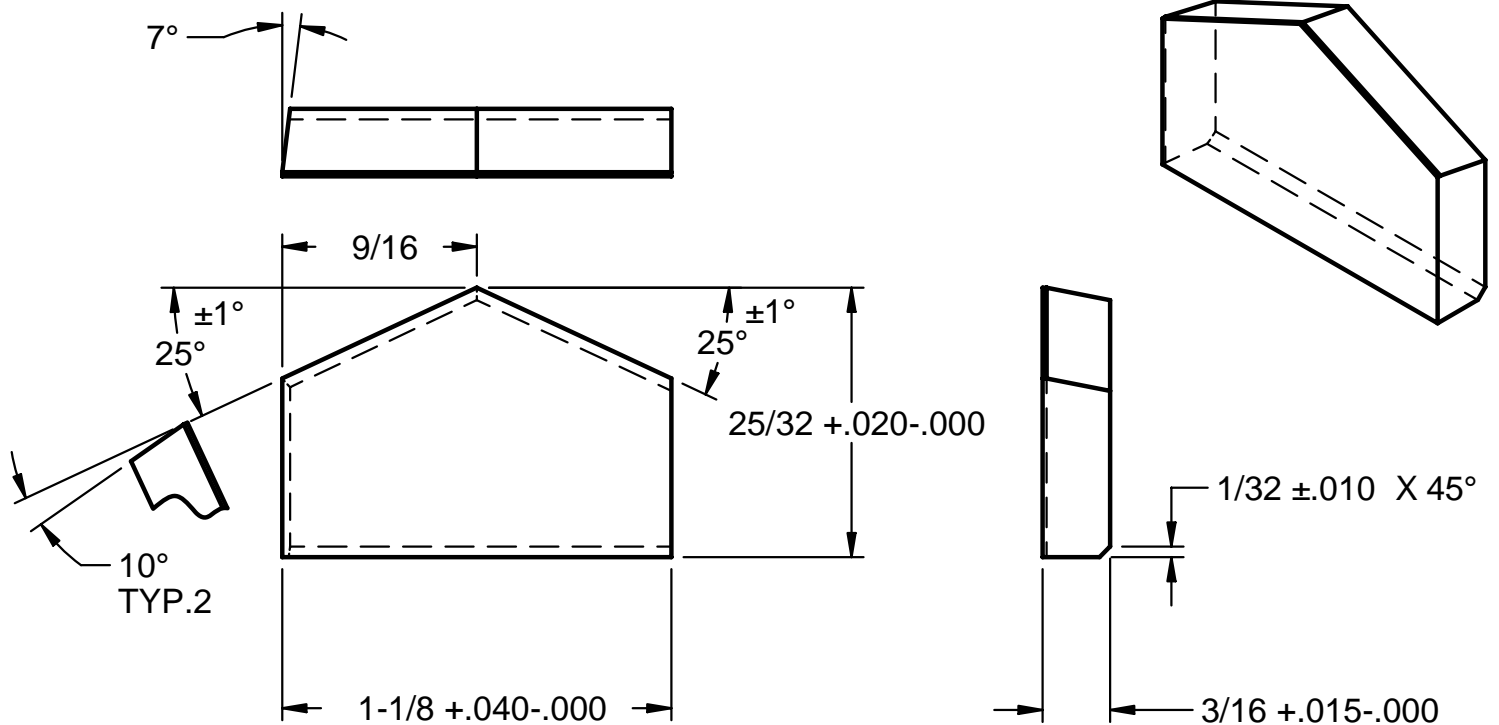
Geo-Physical
Blank



Tungste-Met

Style T-15503-2

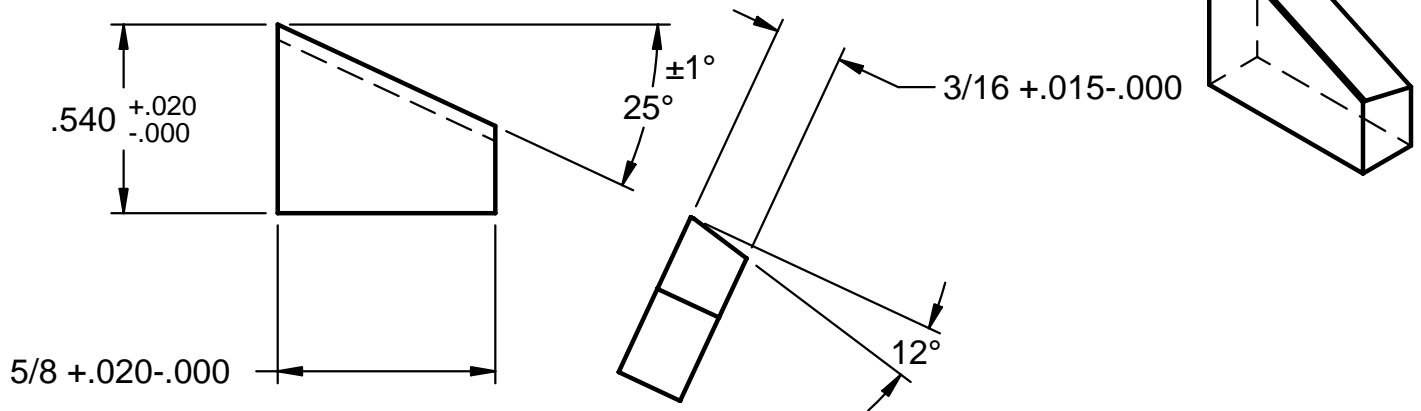
Geo-Physical
Blank



Tungste-Met

Style T-14065-2

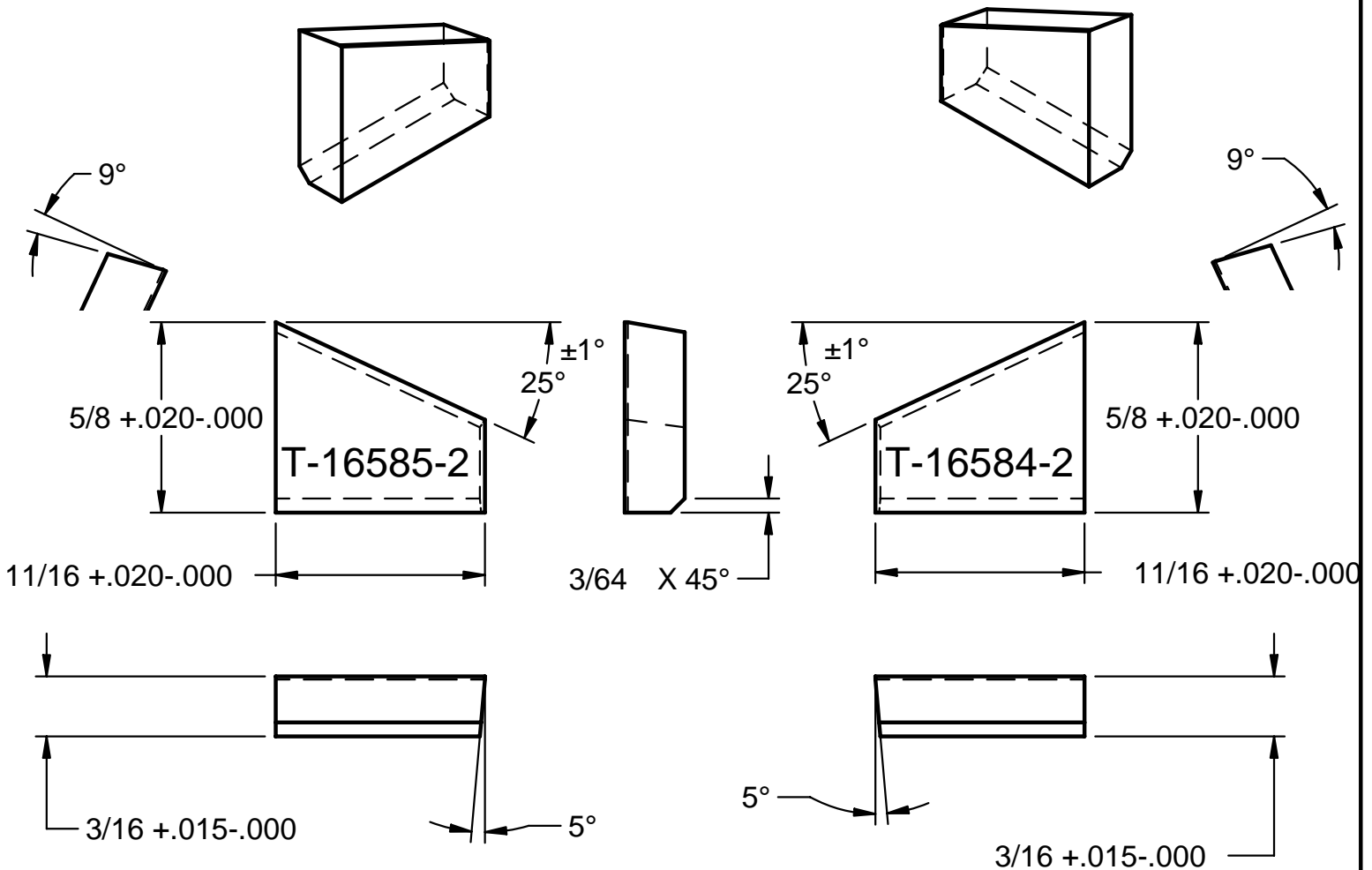
Geo-Physical
Blank



Tungste-Met

Style T-16584/5

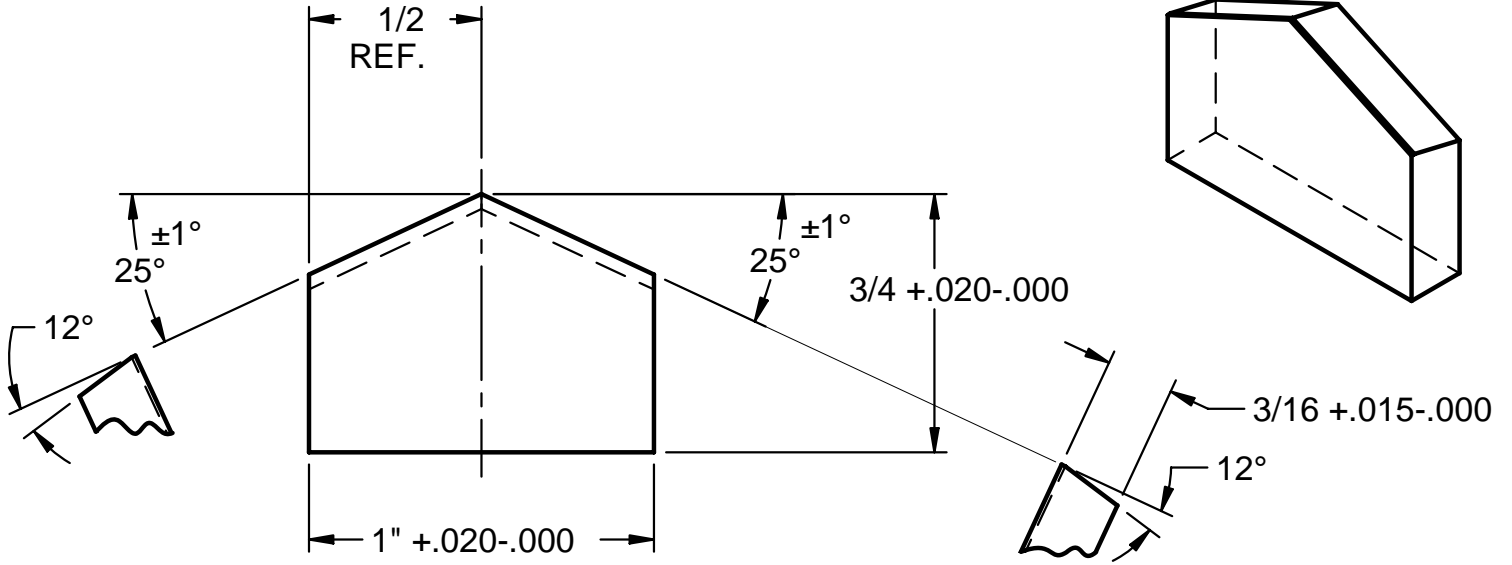
Geo-Physical
Blank



Tungste-Met

Style T-14063-1

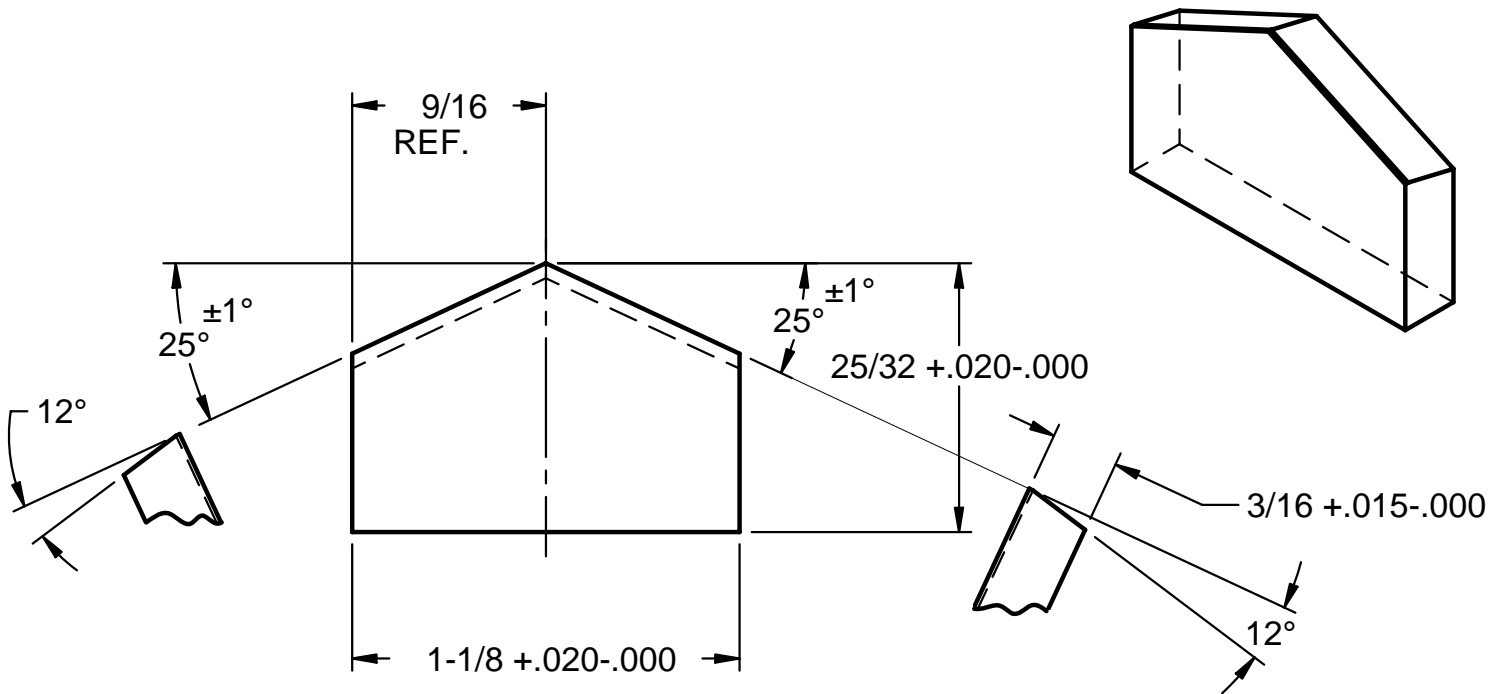
Geo-Physical
Blank



Tungste-Met

Style T-14063-2

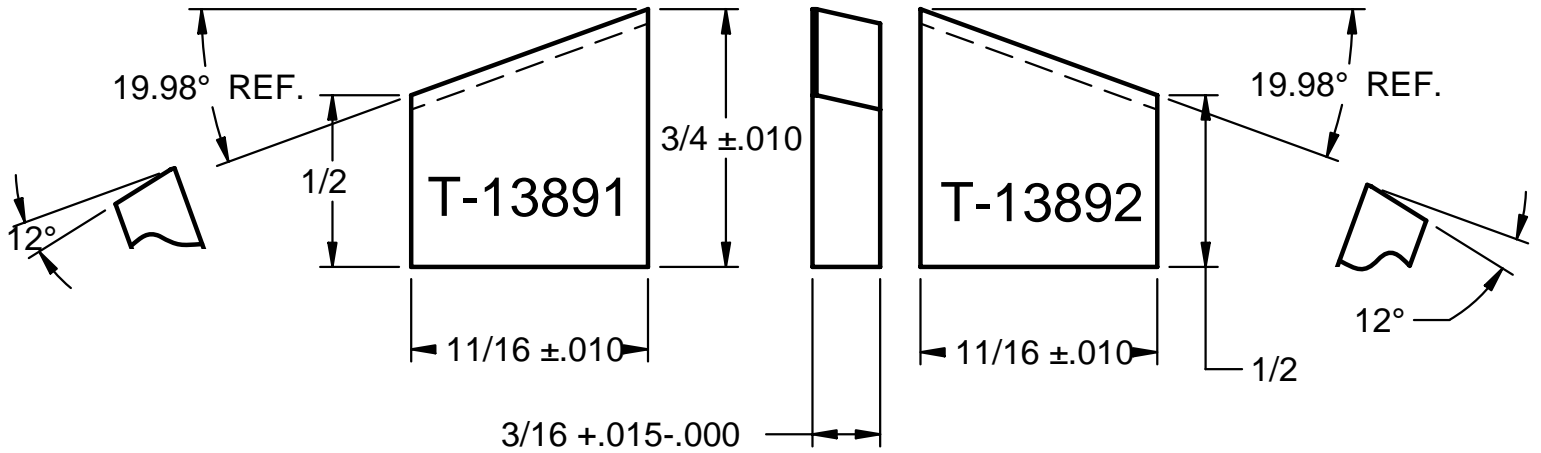
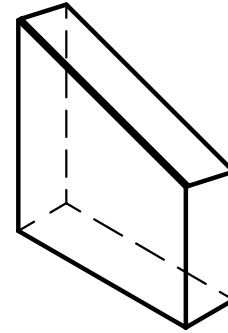
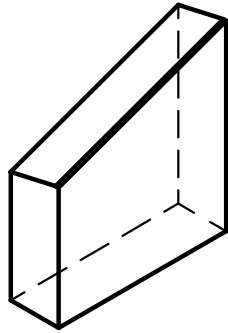
Geo-Physical
Blank



Tungste-Met

Style T-13891 / 2

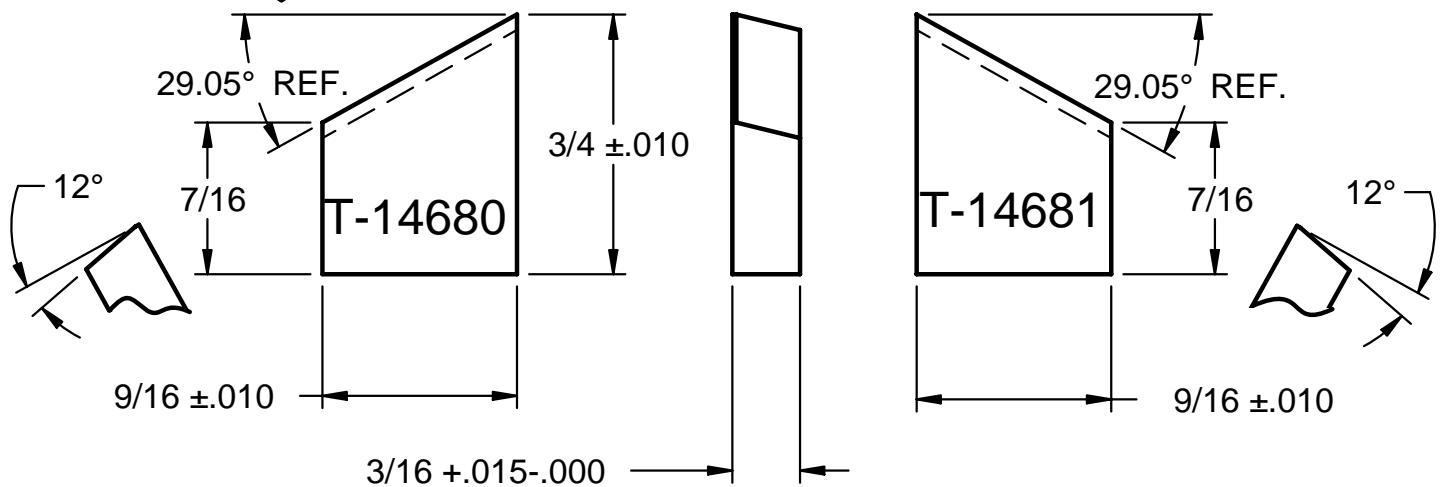
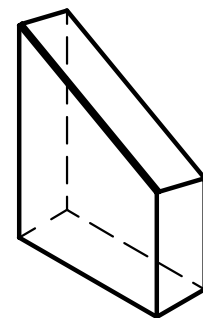
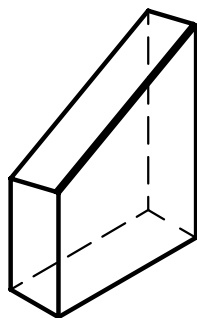
Geo-Physical
Blank



Tungste-Met

Style T-14680 / 1

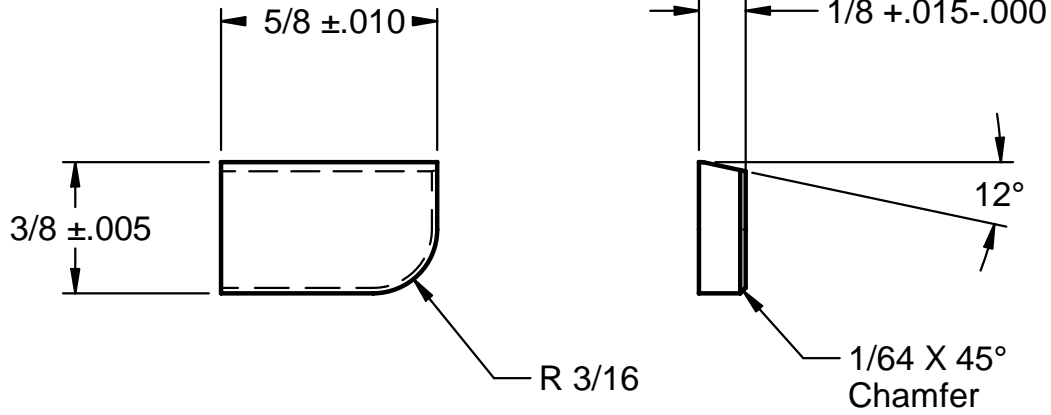
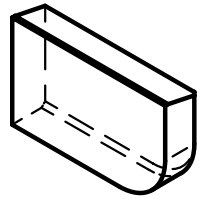
Geo-Physical
Blank



Tungste-Met

Style T-13637-1

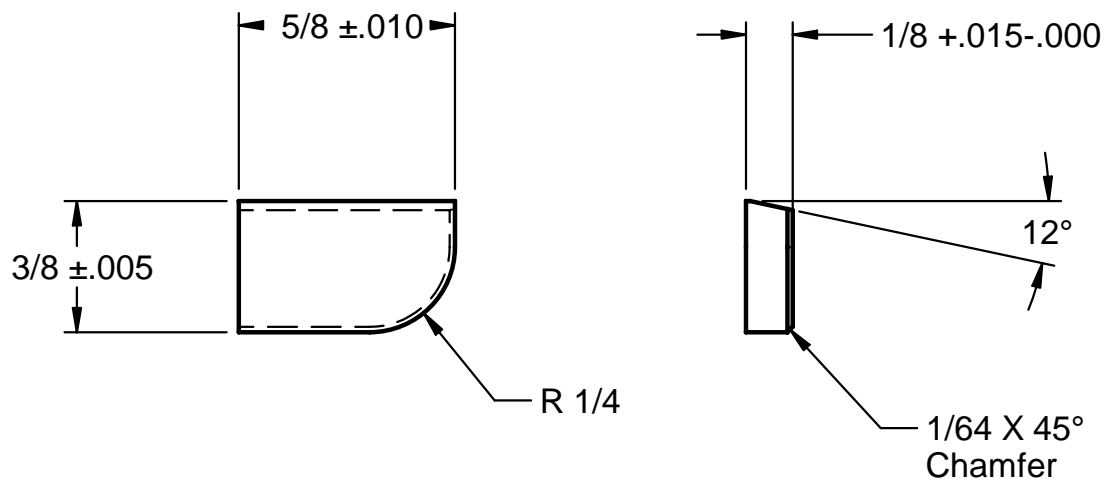
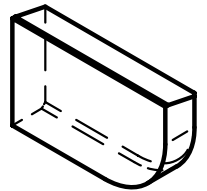
Geo-Physical
Blank



Tungste-Met

Style T-13637-2

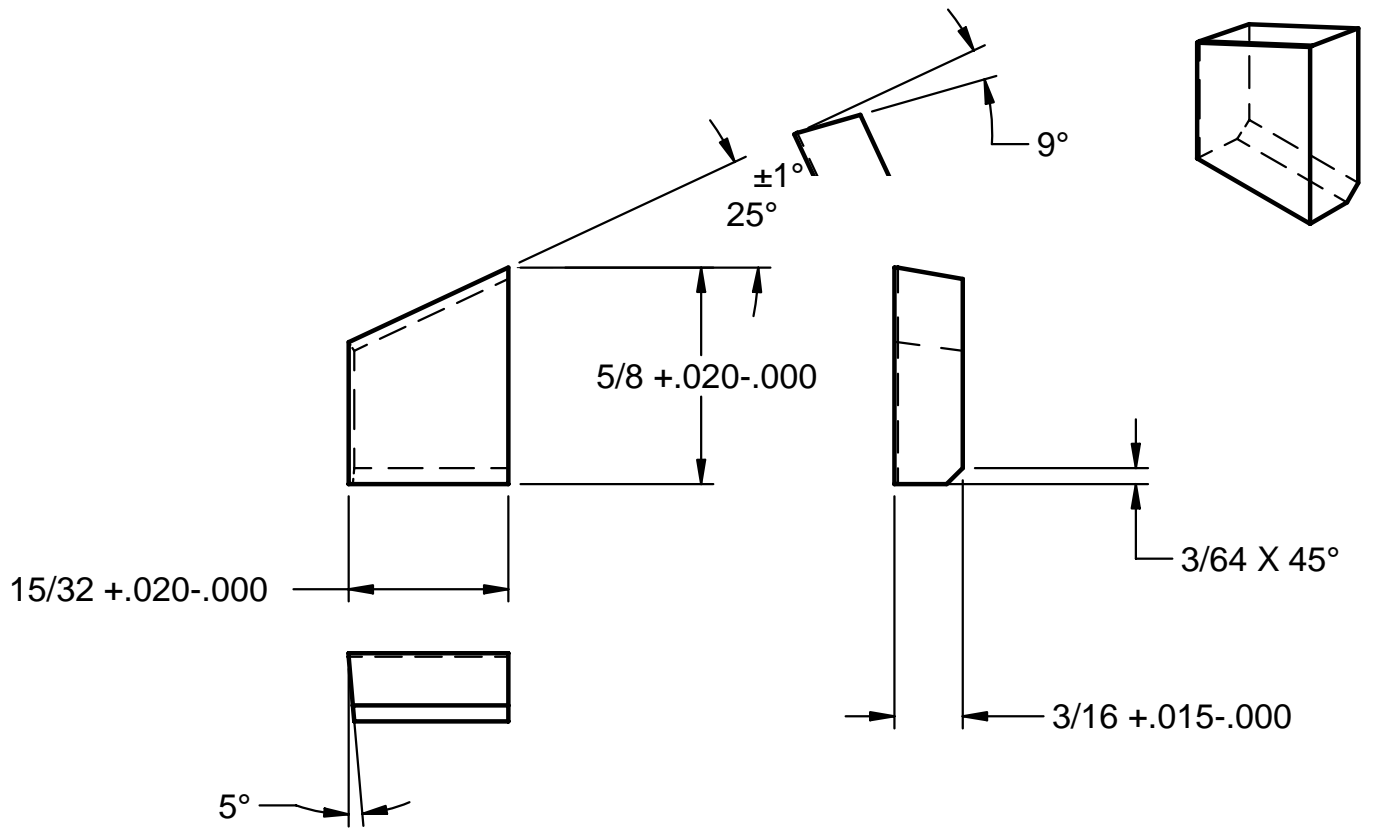
Geo-Physical
Blank



Tungste-Met

Style T-16584-1

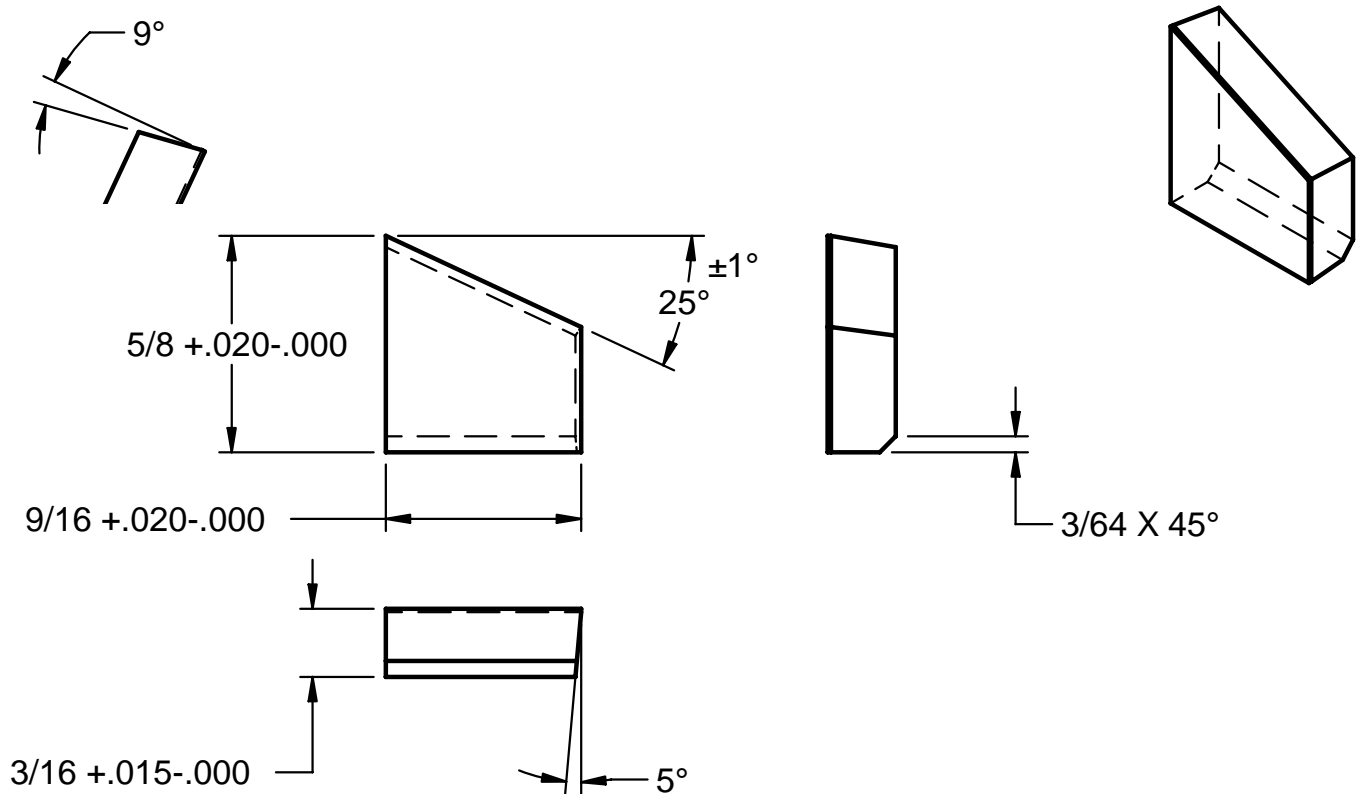
Geo-Physical
Blank



Tungste-Met

Style T-16585-1

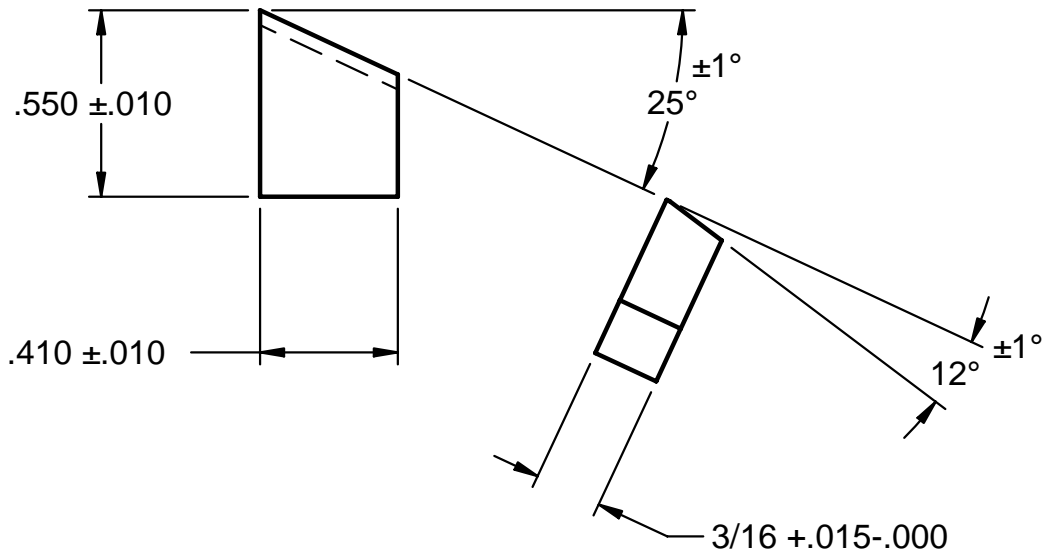
Geo-Physical
Blank



Tungste-Met

Style T-14065-1

Geo-Physical
Blank



Tungste-Met

Style T-13655

Geo-Physical
Blank

