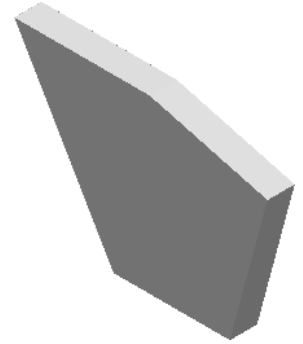
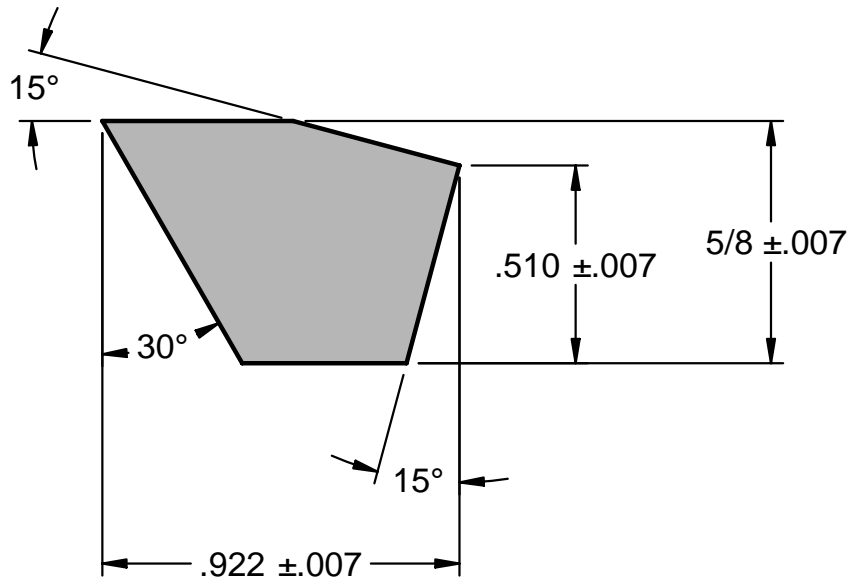


Tungste-Met

Style 580 R/L

Blank for Rigidcut Cutter

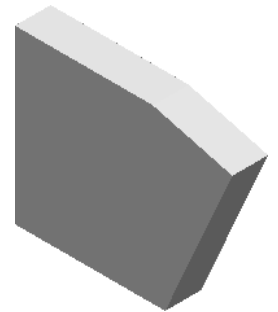
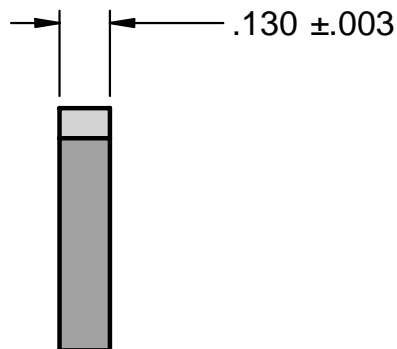
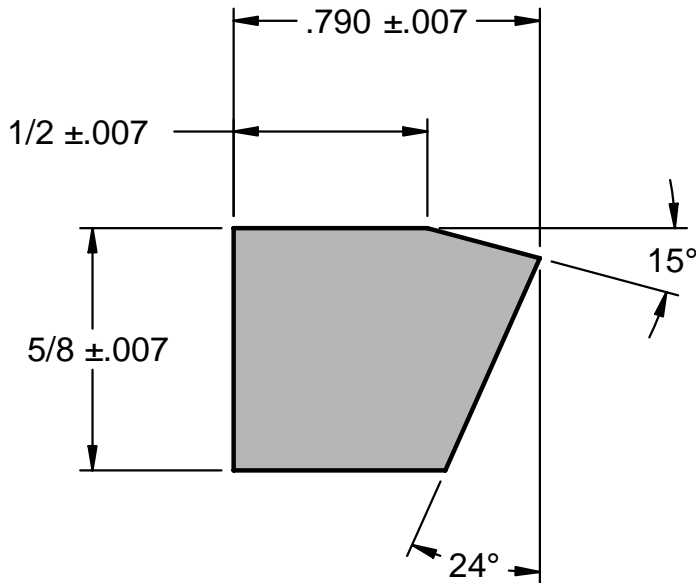


R.H. Shown

Tungste-Met

Style 7888 R/L

Blank for Rigidcut Cutter

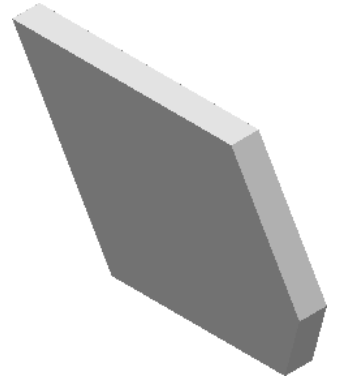
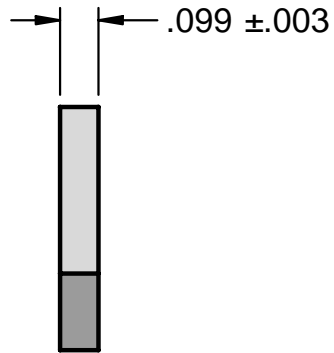
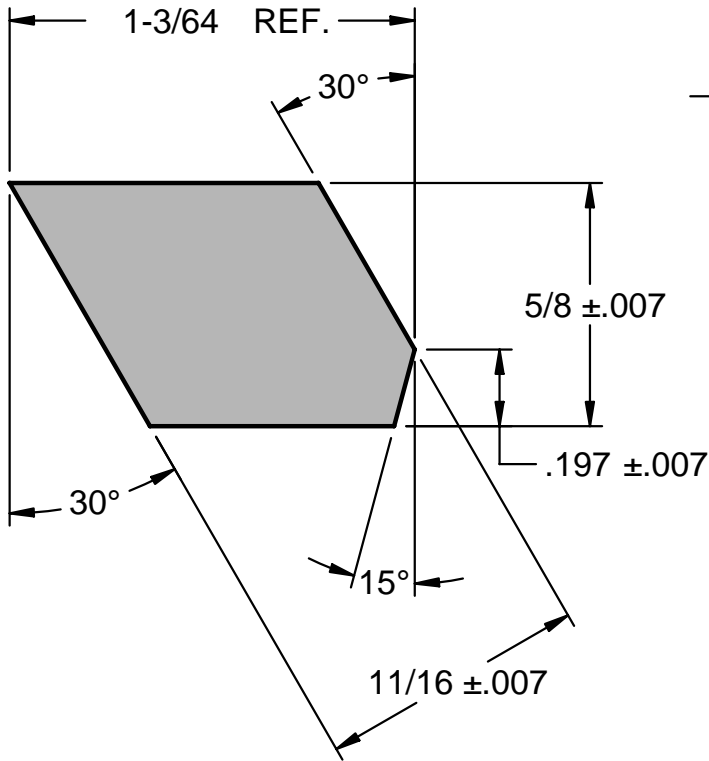


R.H. Shown

Tungste-Met

Style 500 R/L

Blank for Rigidcut Cutter

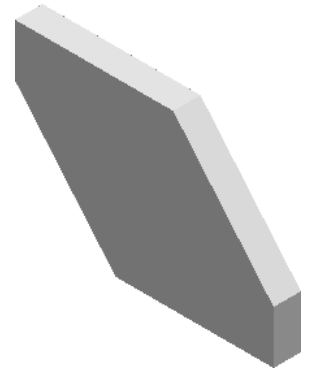
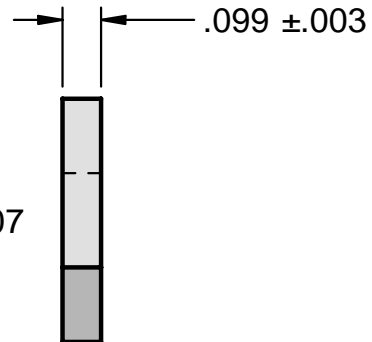
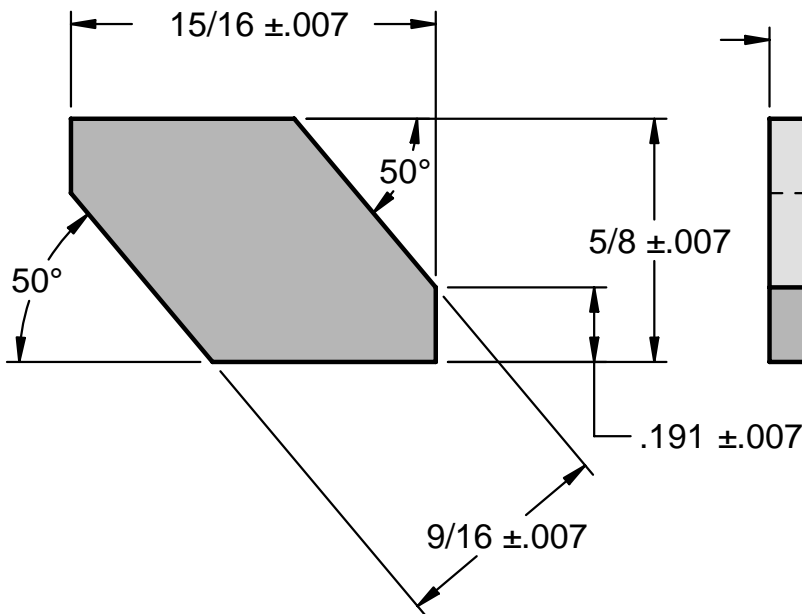


R.H. Shown

Tungste-Met

Style 505 R/L

Blank for Rigidcut Cutter

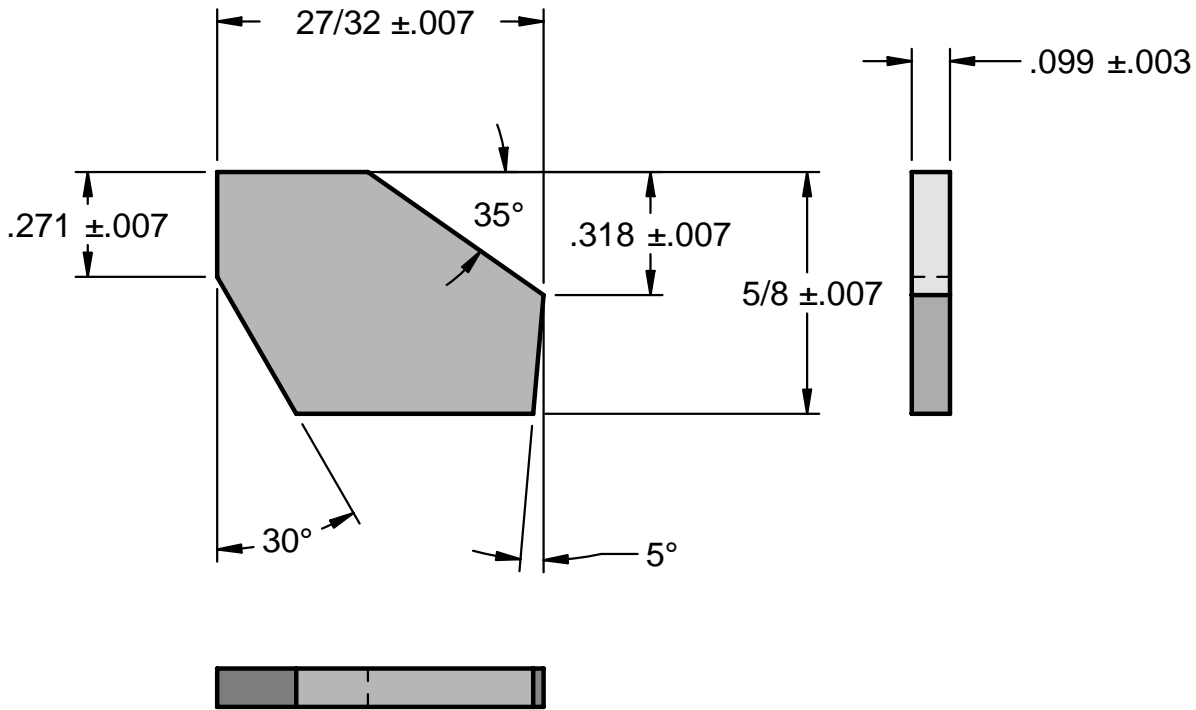


R.H. Shown

**Tungste-Met**

Style **530 R/L**

Blank for Rigidcut Cutter

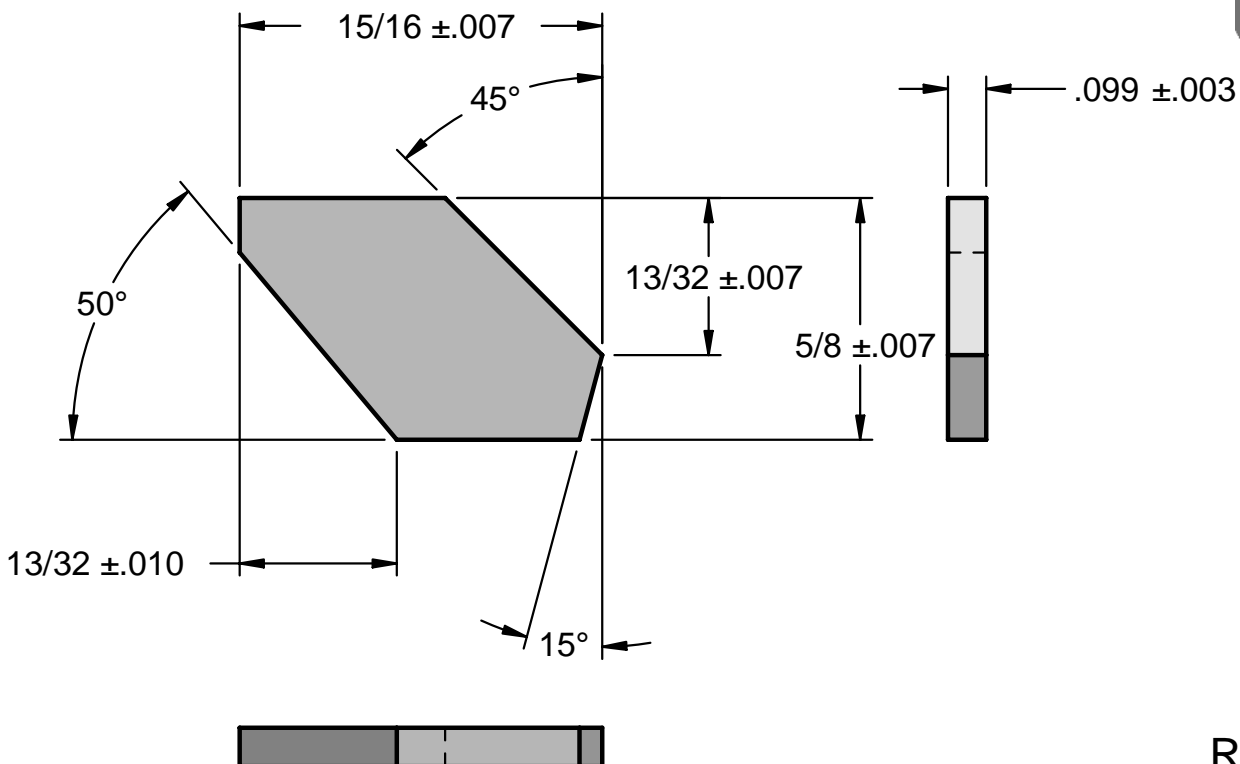


R.H. Shown

**Tungste-Met**

Style **535 R/L**

Blank for Rigidcut Cutter

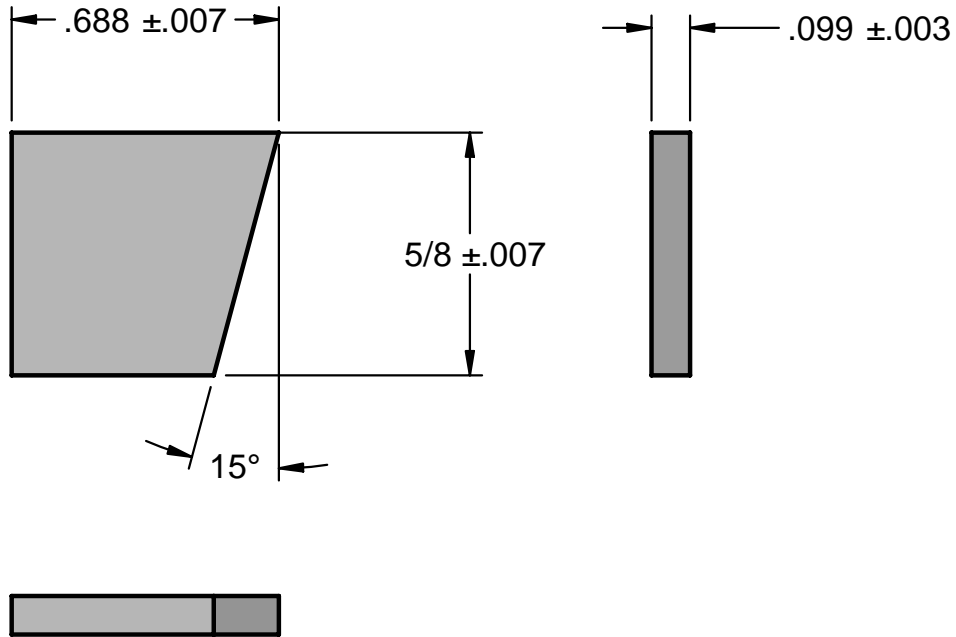


R.H. Shown

Tungste-Met

Style 550 R/L

Blank for Rigidcut Cutter

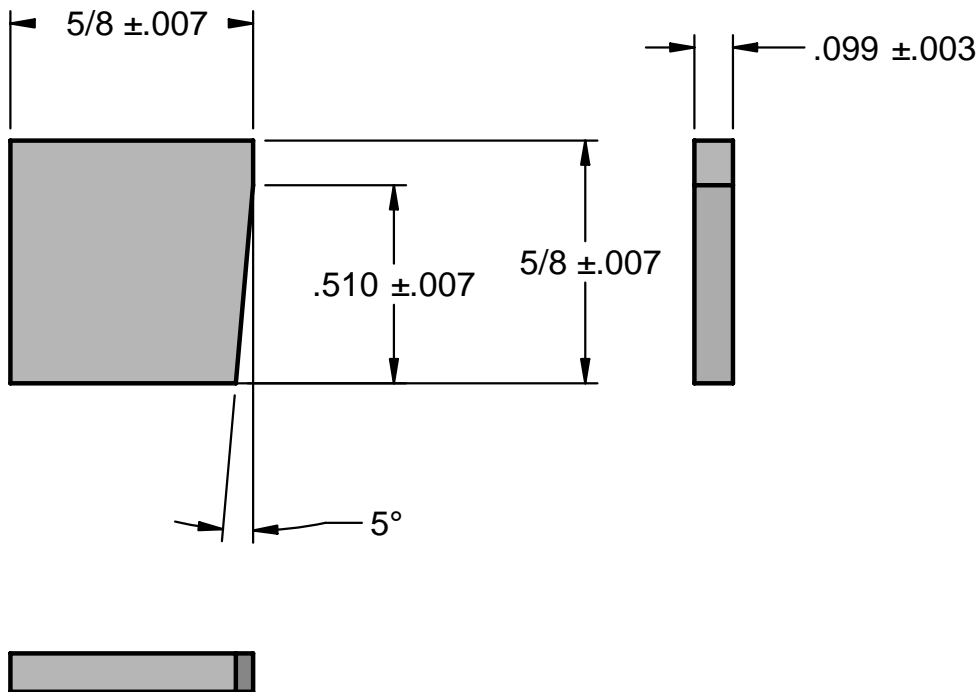


R.H. Shown

Tungste-Met

Style 555 R/L

Blank for Rigidcut Cutter

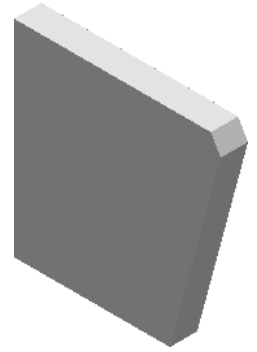
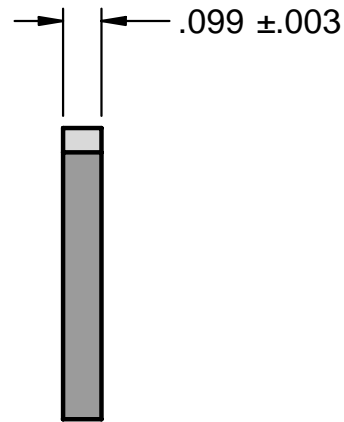
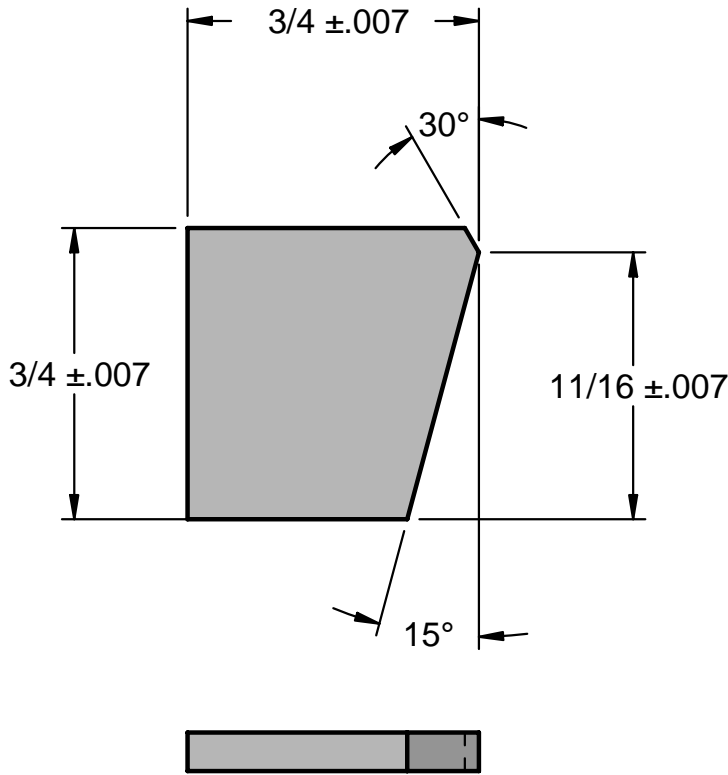


R.H. Shown

**Tungste-Met**

Style **560 R/L**

Blank for Rigidcut Cutter

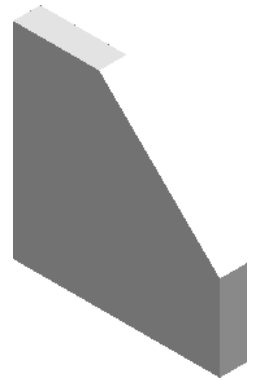
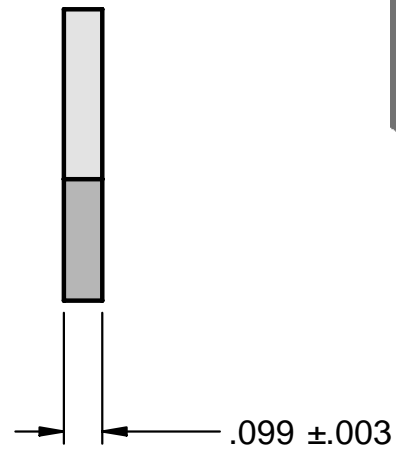
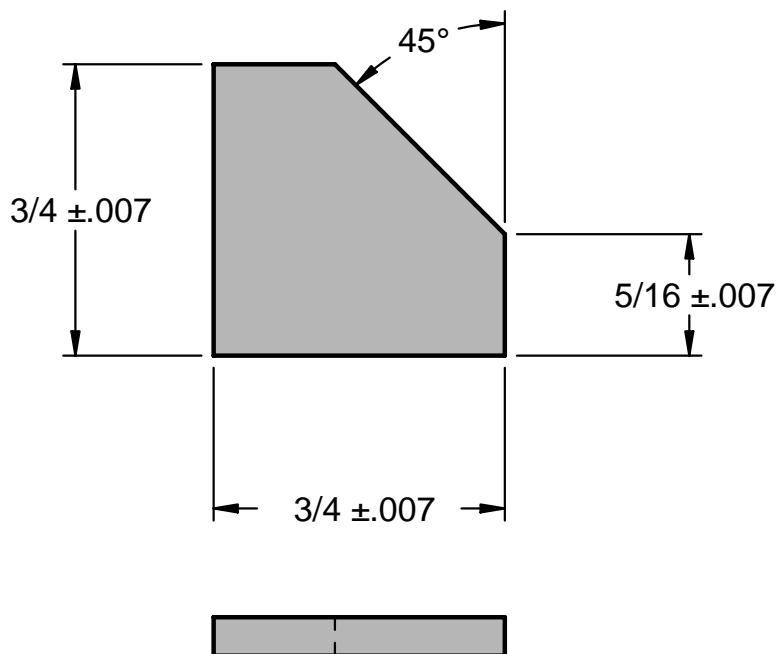


R.H. Shown

**Tungste-Met**

Style **560-A R/L**

Blank for Rigidcut Cutter

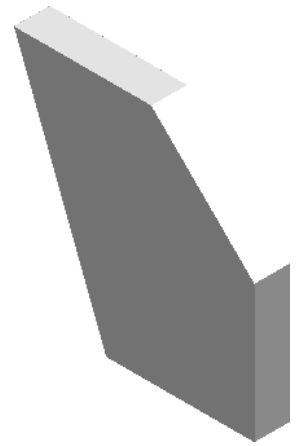
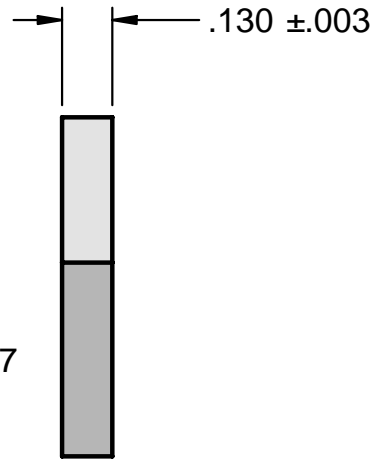
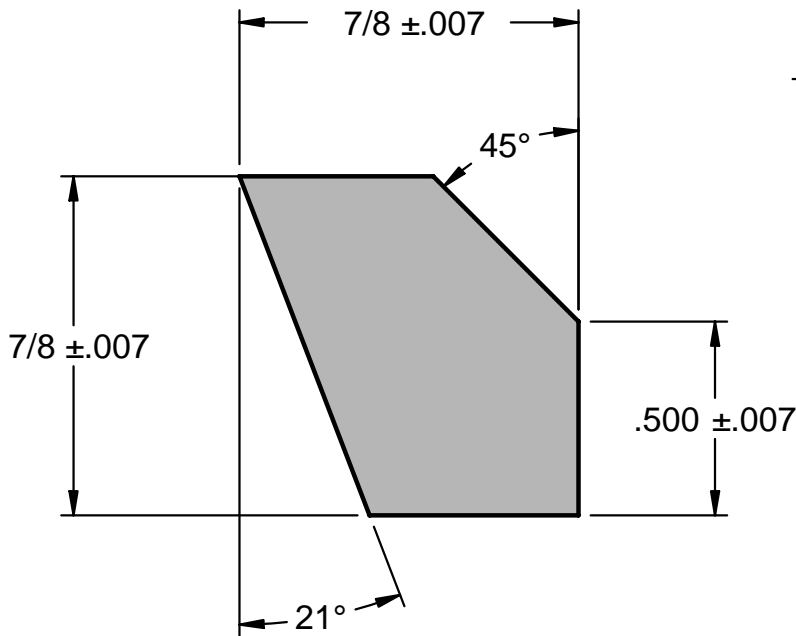


R.H. Shown

**Tungste-Met**

Style **595 R/L**

Blank for Rigidcut Cutter

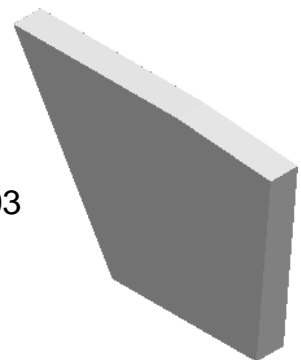
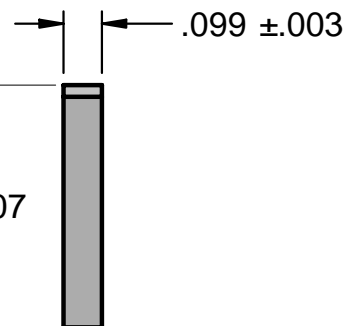
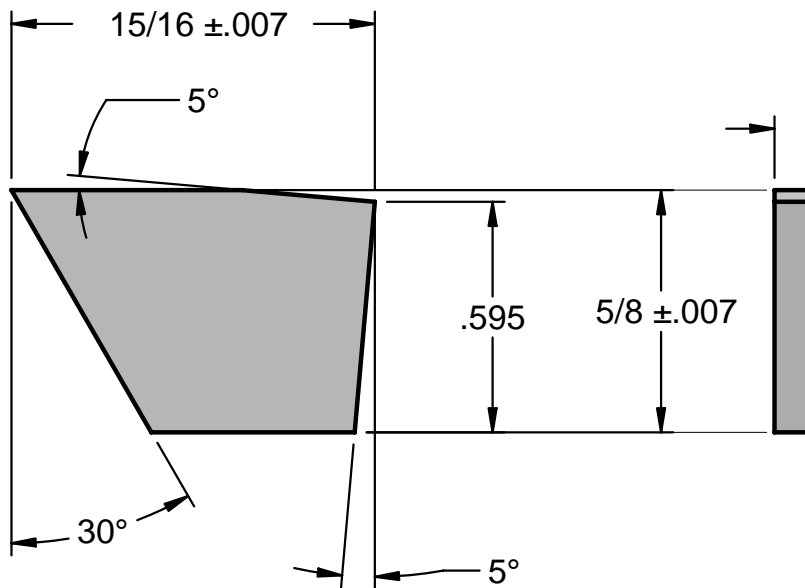


R.H. Shown

**Tungste-Met**

Style **585 R/L**

Blank for Rigidcut Cutter

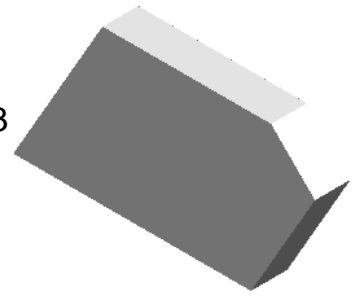
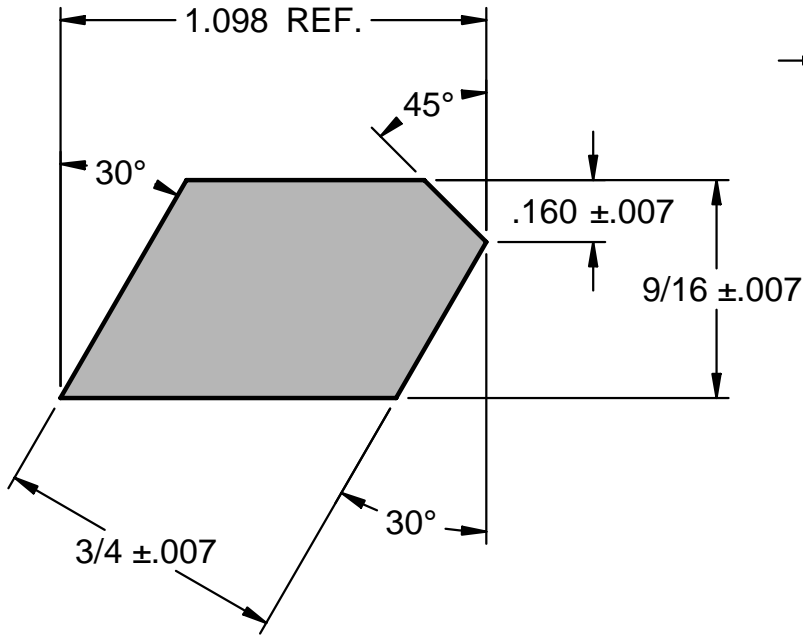


R.H. Shown

**Tungste-Met**

Style **7881 & 7883 R/L**

Blank for Rigidcut Cutter

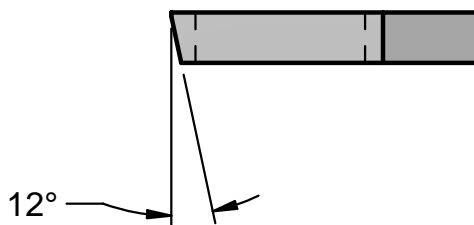
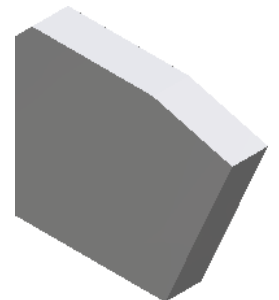
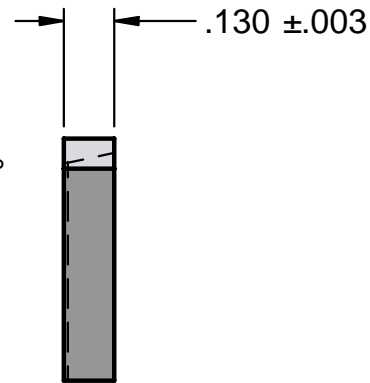
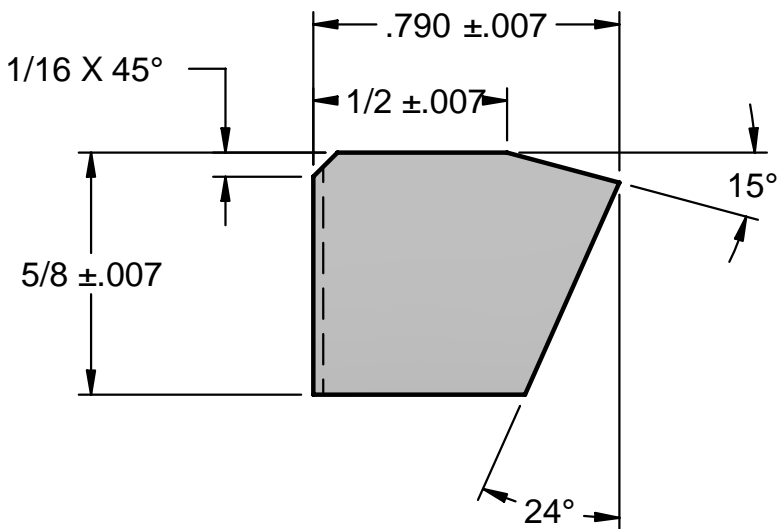


R.H. Shown

**Tungste-Met**

Style **7888L-C**

Blank for Rigidcut Cutter

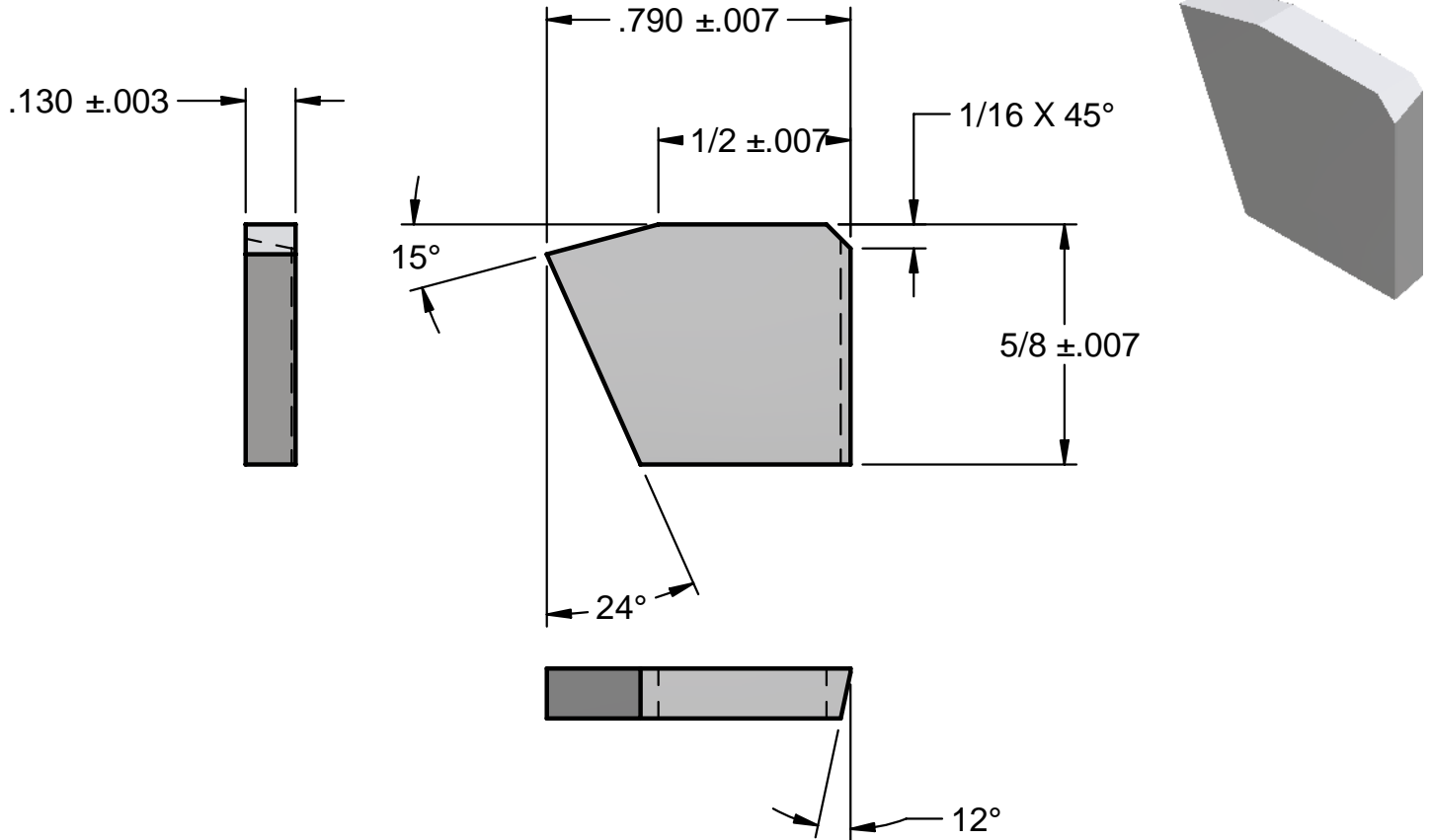


12°

Tungste-Met

Style 7888R-C

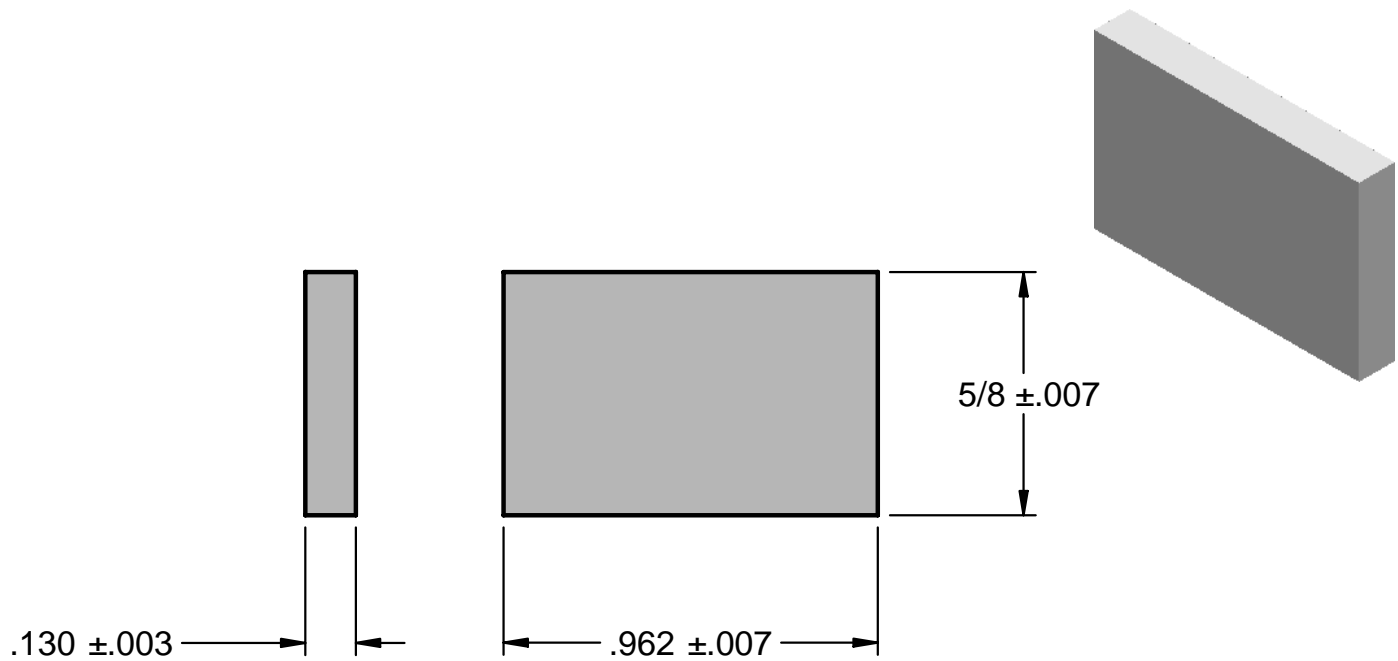
Blank for Rigidcut Cutter



Tungste-Met

Style 590R / L

Blank for Rigidcut Cutter

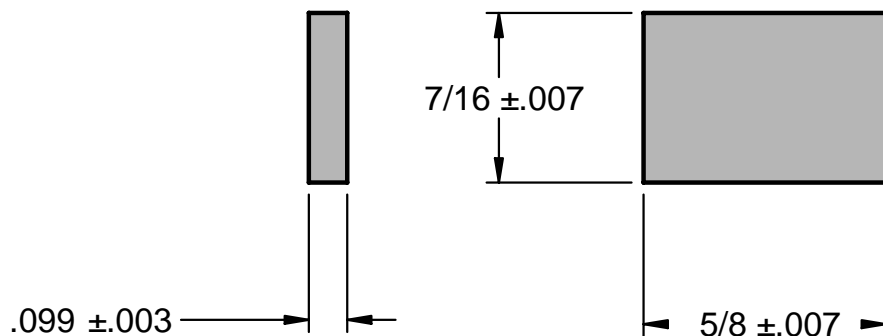
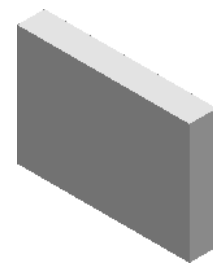




Tungste-Met

Style 600R / L

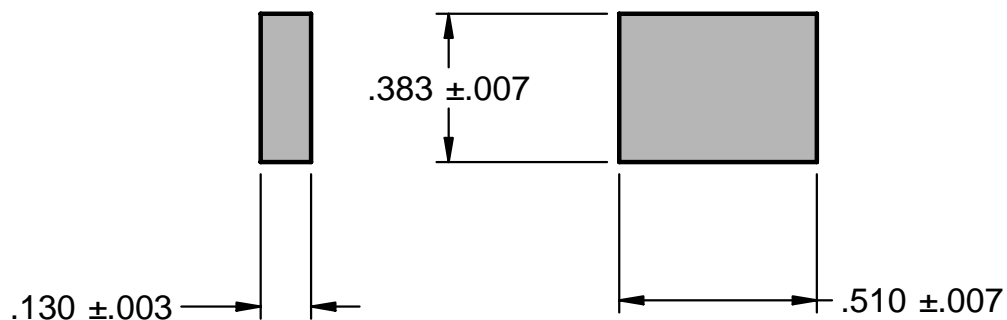
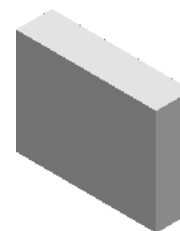
Blank for Rigidcut Cutter



Tungste-Met

Style 909R / L

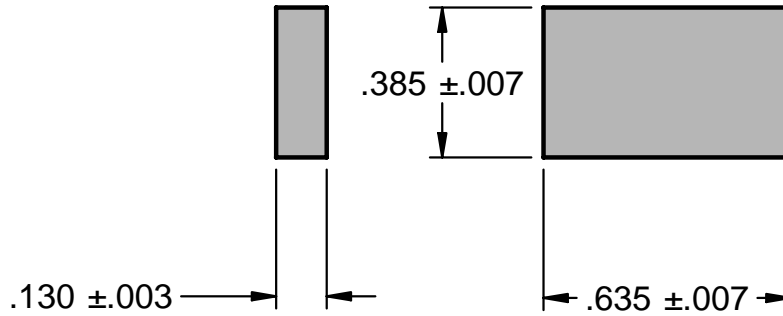
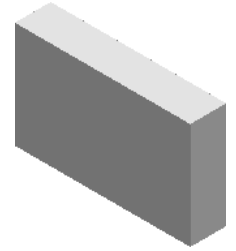
Blank for Rigidcut Cutter



Tungste-Met

Style 910R / L

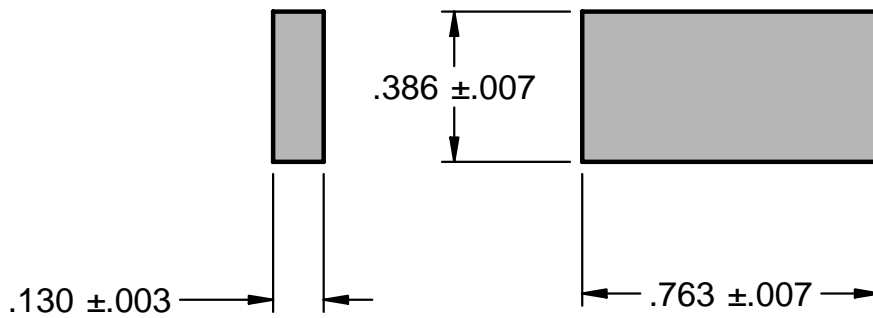
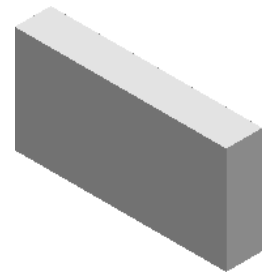
Blank for Rigidcut Cutter



Tungste-Met

Style 911R / L

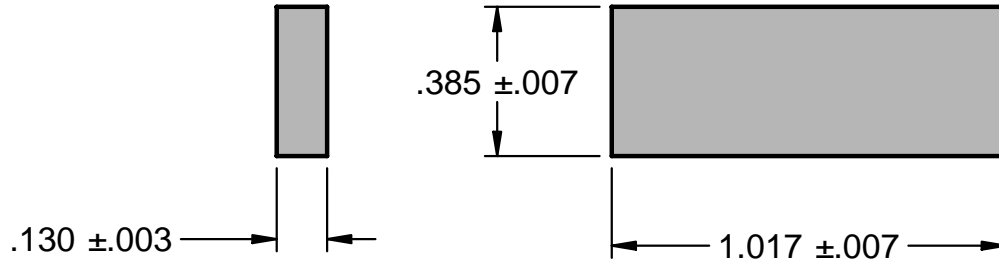
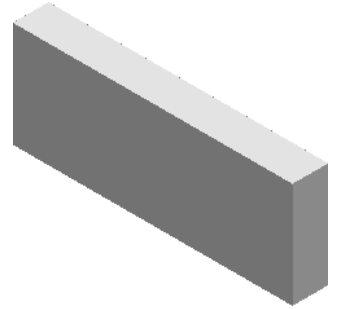
Blank for Rigidcut Cutter



Tungste-Met

Style 912R / L

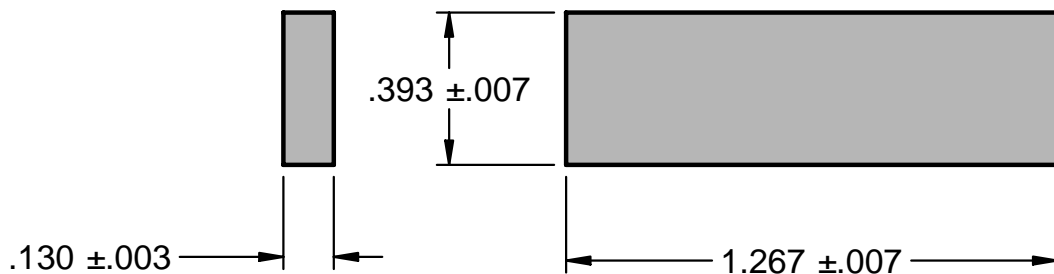
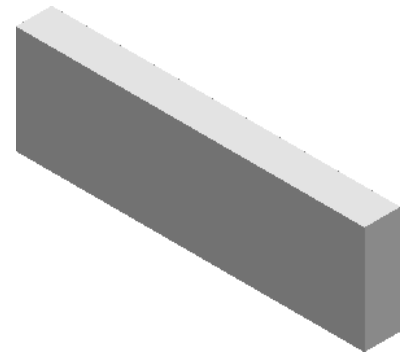
Blank for Rigidcut Cutter



Tungste-Met

Style 915R / L

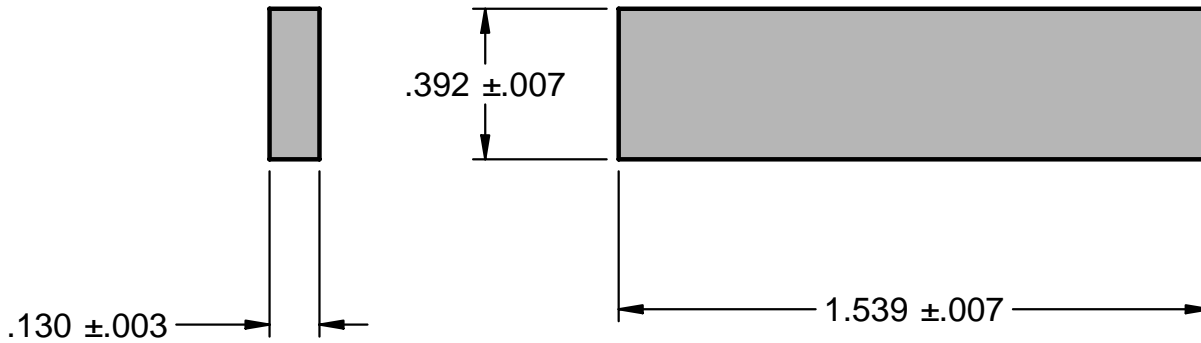
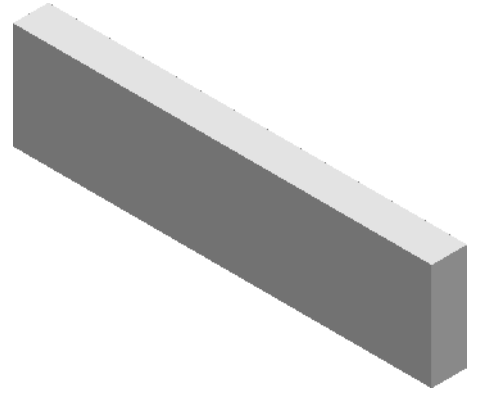
Blank for Rigidcut Cutter



Tungste-Met

Style 919R / L

Blank for Rigidcut Cutter



Tungste-Met

Style 7892

Blank for Rigidcut Cutter

