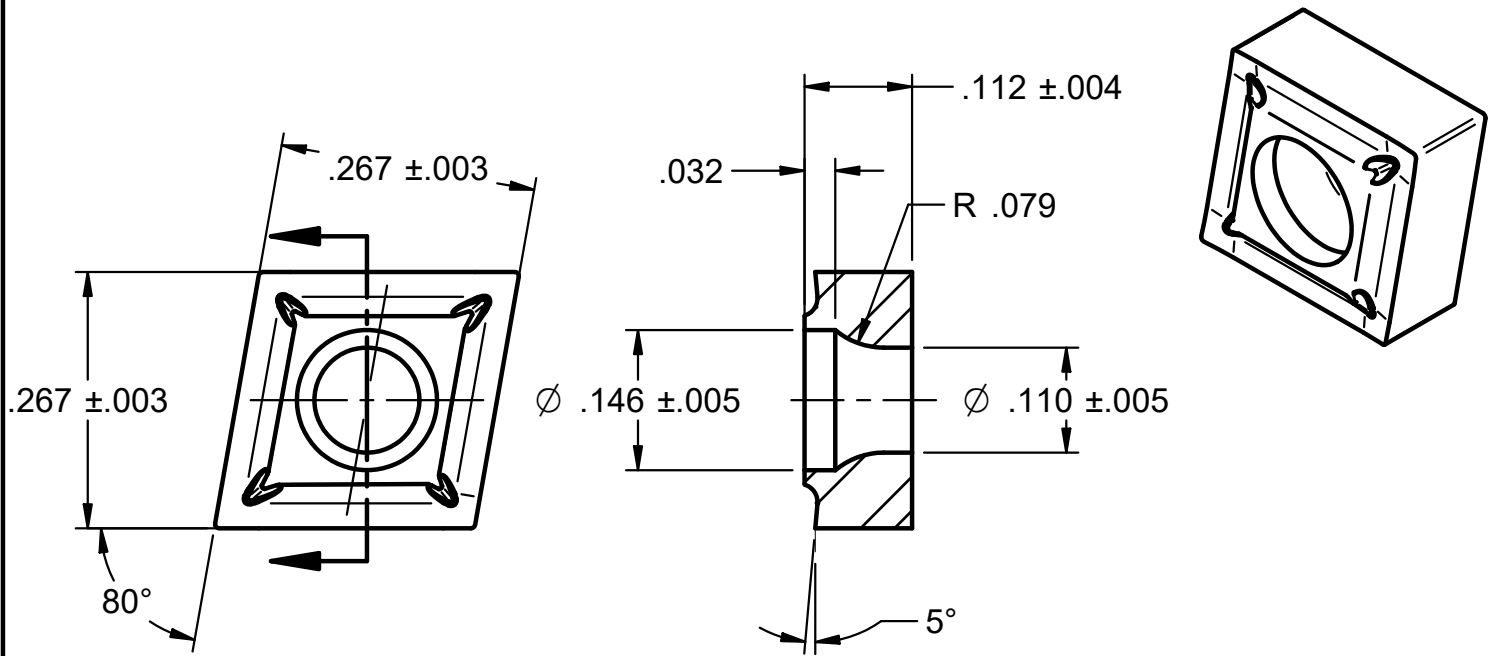
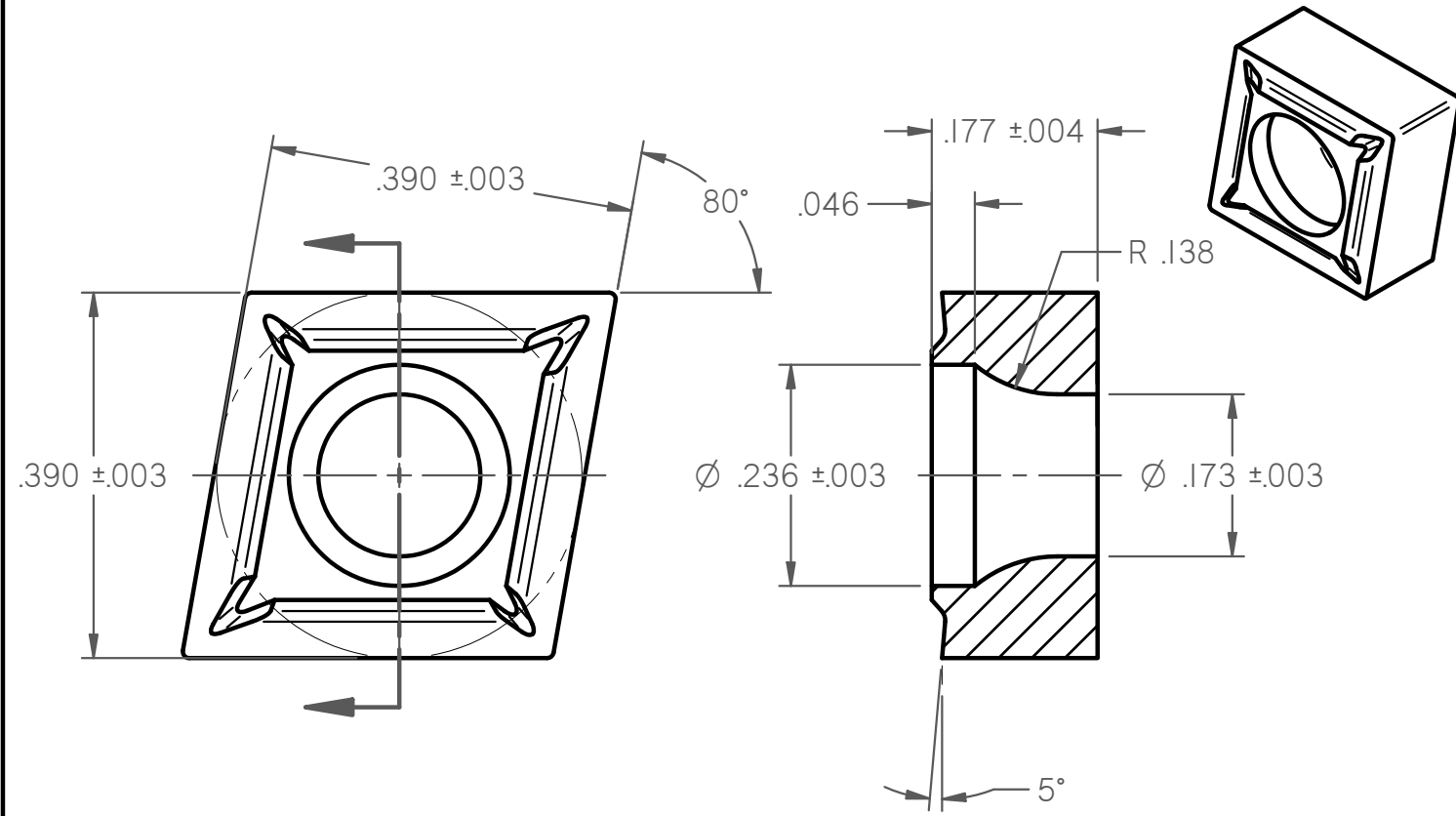


Tungste-Met Style CNRT21.50-1-2-TM



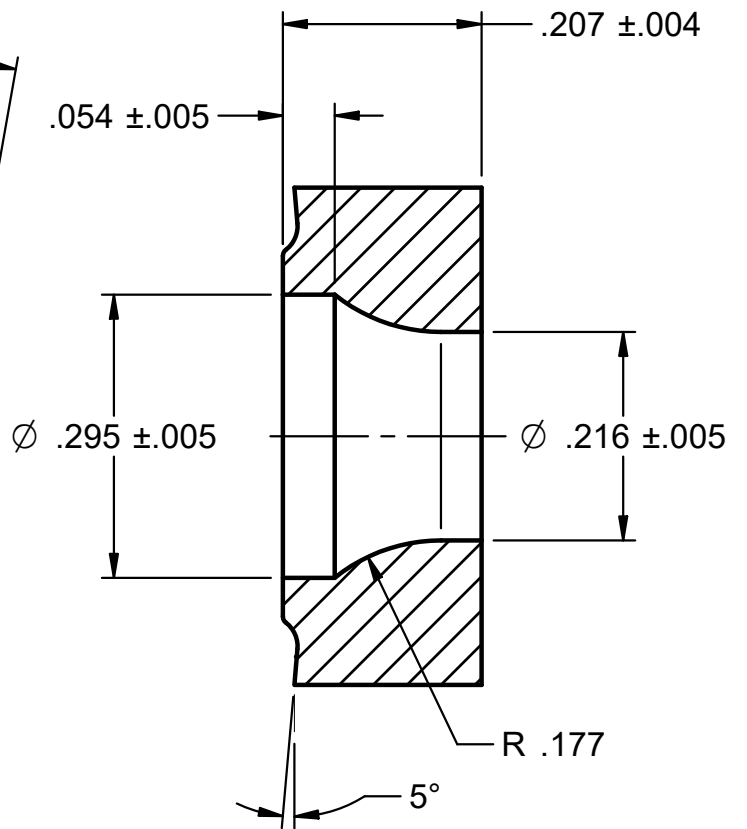
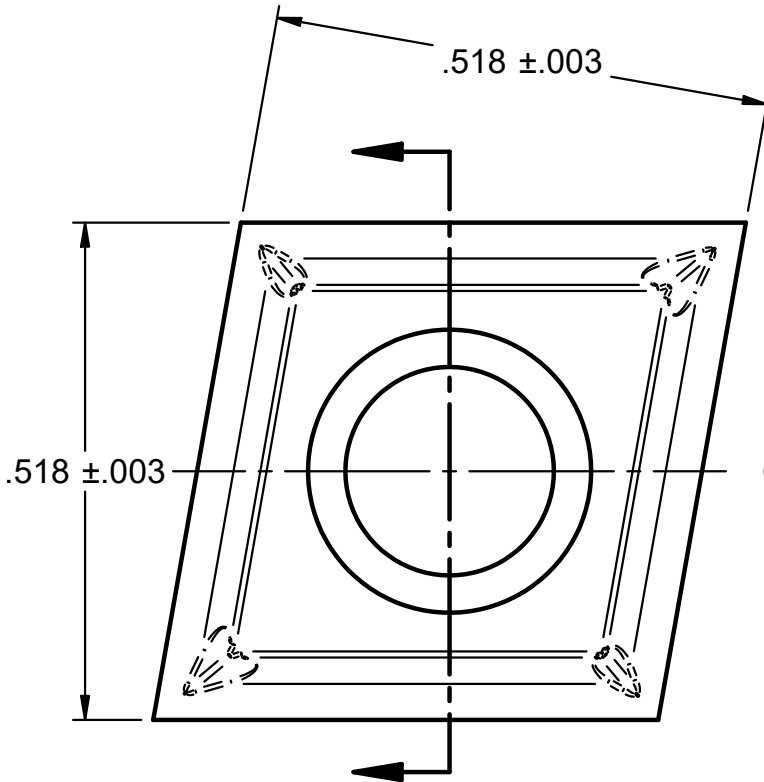
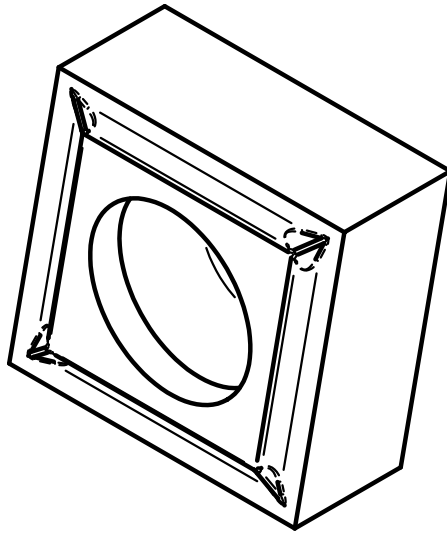
Tungste-Met Style CNRT32.50-1-2-TM



Tungste-Met

Style

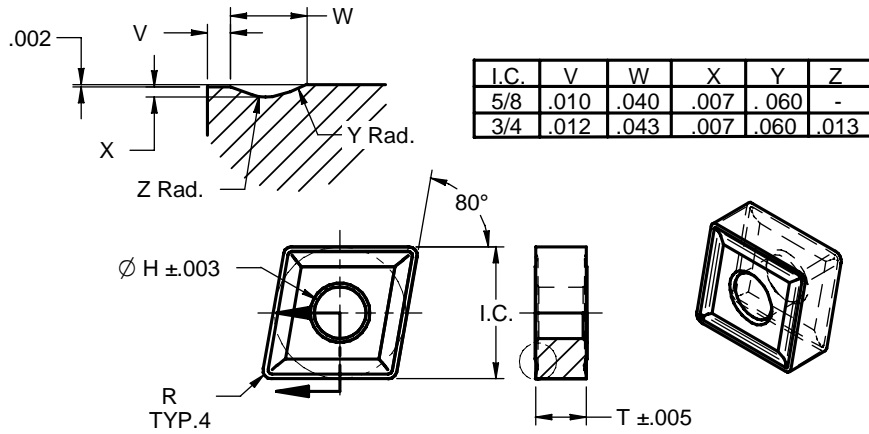
CNRT430-1-2-TM



# Tungste-Met

Style

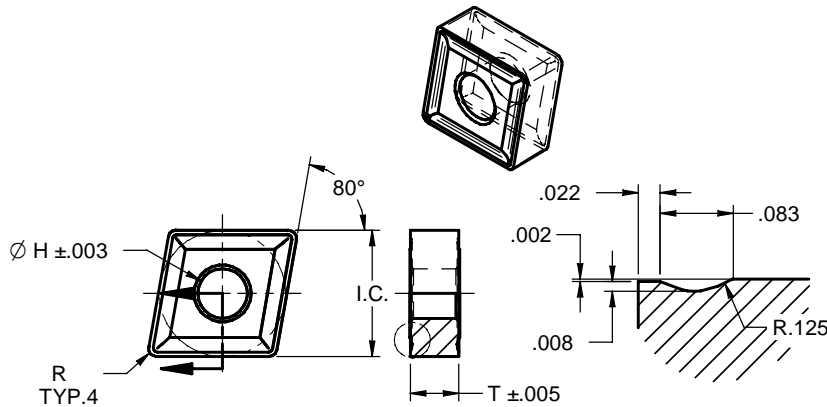
# CNSG-N



Insert	I.C	T	R	H	Notes
CNSG543N	.625 ±.003	.250	3/64	.253	Nar. Chip
CNSG544N	.625 ±.003	.250	1/16	.253	Nar. Chip
CNSG642N	.750 ±.003	.250	1/32	.313	Nar. Chip
CNSG643N	.750 ±.003	.250	3/64	.313	Nar. Chip

Style

# CNSG-W

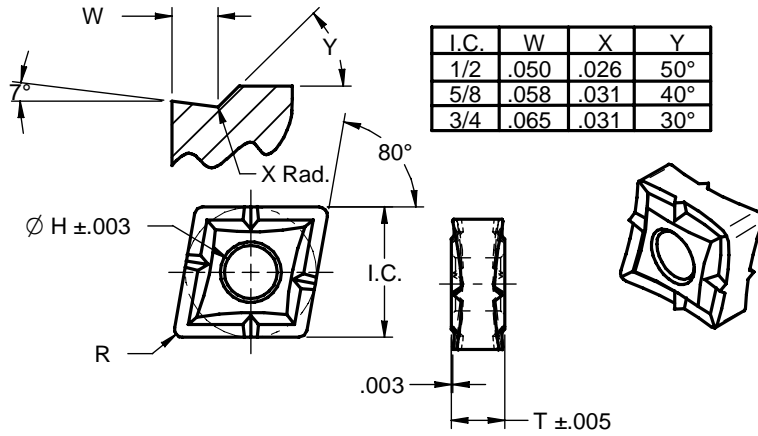


Insert	I.C.	T	R	H	Notes
CNSG643W	.750 ±.003	.250	3/64	.313	Wide
CNSG644W	.750 ±.003	.250	1/16	.313	Wide

# Tungste-Met

Style

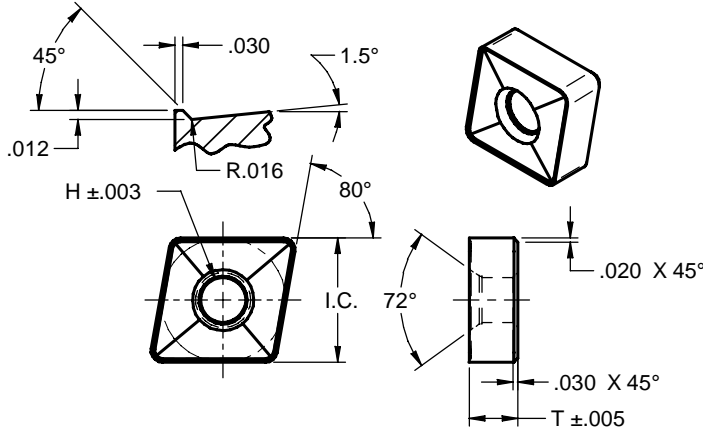
# CNSP



Insert	I.C.	T	R	H	Notes
CNSP432	.500 ±.003	.188	1/32	.203	
CNSP543	.625 ±.003	.250	3/32	.253	
CNSP642	.750 ±.003	.250	1/32	.313	
CNSP643	.750 ±.003	.250	3/64	.313	
CNSP644	.750 ±.003	.250	1/16	.313	

Style

# CNSH

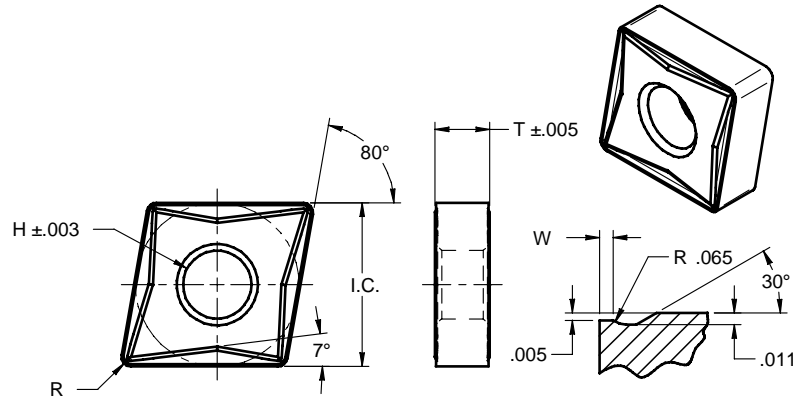


Insert	I.C.	T	R	H	Notes
CNSH864	1.000 ±.004	.390	1/16	.362	
CNSH866	1.000 ±.004	.390	3/32	.362	

# Tungste-Met

Style

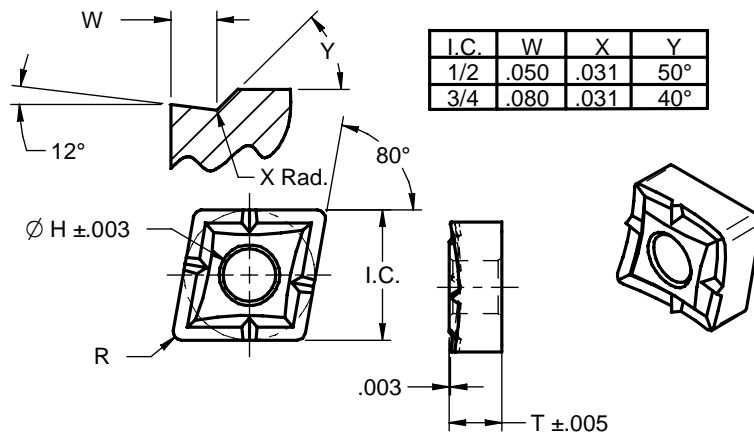
# CNMX



Insert	I.C.	T	R	H	W		Notes
CNMX432C	.500 ±.003	.194	1/32	.203	.012		
CNMX633C	.750 ±.003	.188	3/64	.313	.017		
CNMX643C	.750 ±.003	.250	3/64	.313	.017		

Style

# CNSS



I.C.	W	X	Y
1/2	.050	.031	50°
3/4	.080	.031	40°

Insert	I.C.	T	R	H		Notes
CNSS432	.500±.003	.197	1/32	.203		
CNSS642	.750±.003	.260	1/32	.313		
CNSS643	.750±.003	.260	3/64	.313		

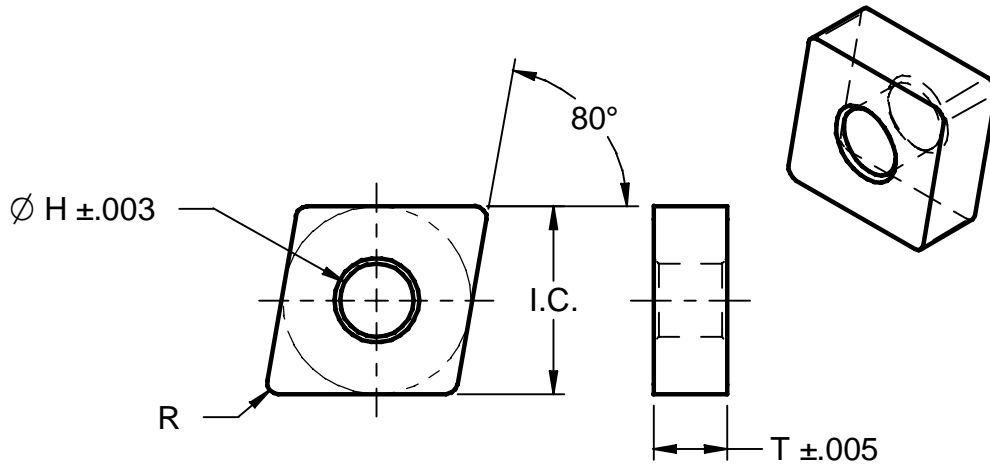




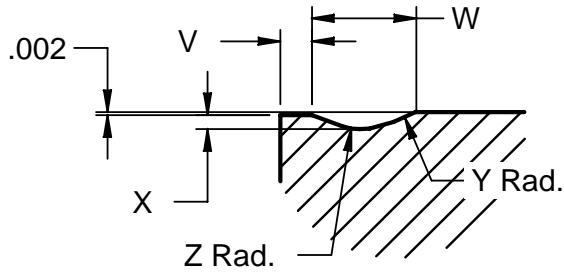




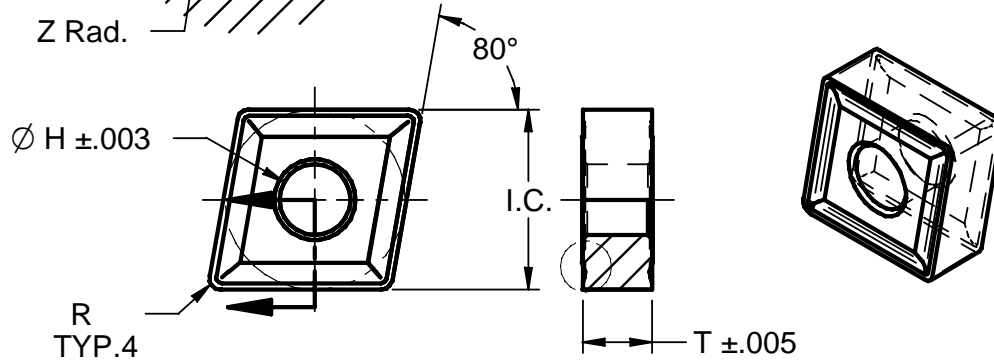




Insert	I.C.		T	R	H		Notes
CNSA420	.500 ±.003		.139	.008	.203		
CNSA422	.500 ±.003		.139	1/32	.203		
CNSA423	.500 ±.003		.139	3/64	.203		
CNSA424	.500 ±.003		.139	1/16	.203		
CNSA430	.500 ±.003		.201	.008	.203		
CNSA432	.500 ±.003		.201	1/32	.203		
CNSA433	.500 ±.003		.201	3/64	.203		
CNSA434	.500 ±.003		.201	1/16	.203		
CNSA532	.625 ±.003		.201	1/32	.253		
CNSA533	.625 ±.003		.201	3/64	.253		
CNSA538	.625 ±.003		.201	1/8	.253		
CNSA543	.625 ±.003		.265	3/64	.253		
CNSA548	.625 ±.003		.265	1/8	.253		
CNSA632	.750 ±.003		.201	1/32	.313		
CNSA633	.750 ±.003		.201	3/64	.313		
CNSA634	.750 ±.003		.201	1/16	.313		
CNSA638	.750 ±.003		.201	1/8	.313		
CNSA642	.750 ±.003		.265	1/32	.313		
CNSA643	.750 ±.003		.265	3/64	.313		
CNSA644	.750 ±.003		.265	1/16	.313		
CNSA648	.750 ±.003		.265	1/8	.313		
CNSA866	1.000 ±.004		.394	3/32	.362		



I.C.	V	W	X	Y	Z
1/2	.010	.060	.008	.100	.030
5/8	.020	.068	.008	.077	-
3/4	.025	.078	.008	.125	.030
1	.030	.115	.010	.188	-



Insert	I.C.	T	R	H	Notes
CNMG421	.500 ±.003	.125	1/64	.203	
CNMG422	.500 ±.003	.125	1/32	.203	
CNMG423	.500 ±.003	.125	3/64	.203	
CNMG424	.500 ±.003	.125	1/16	.203	
CNMG431	.500 ±.003	.188	1/64	.203	
CNMG432	.500 ±.003	.188	1/32	.203	
CNMG433	.500 ±.003	.188	3/64	.203	
CNMG434	.500 ±.003	.188	1/16	.203	
CNMG532	.625 ±.003	.188	1/32	.253	
CNMG533	.625 ±.003	.188	3/64	.253	
CNMG534	.625 ±.003	.188	1/16	.253	
CNMG542	.625 ±.003	.250	1/32	.253	
CNMG543	.625 ±.003	.250	3/64	.253	
CNMG544	.625 ±.003	.250	1/16	.253	
CNMG632	.750 ±.003	.188	1/32	.313	
CNMG633	.750 ±.003	.188	3/64	.313	
CNMG634	.750 ±.003	.188	1/16	.313	
CNMG642	.750 ±.003	.250	1/32	.313	
CNMG643	.750 ±.003	.250	3/64	.313	
CNMG644	.750 ±.003	.250	1/16	.313	
CNMG866	1.000 ±.004	.375	3/32	.362	

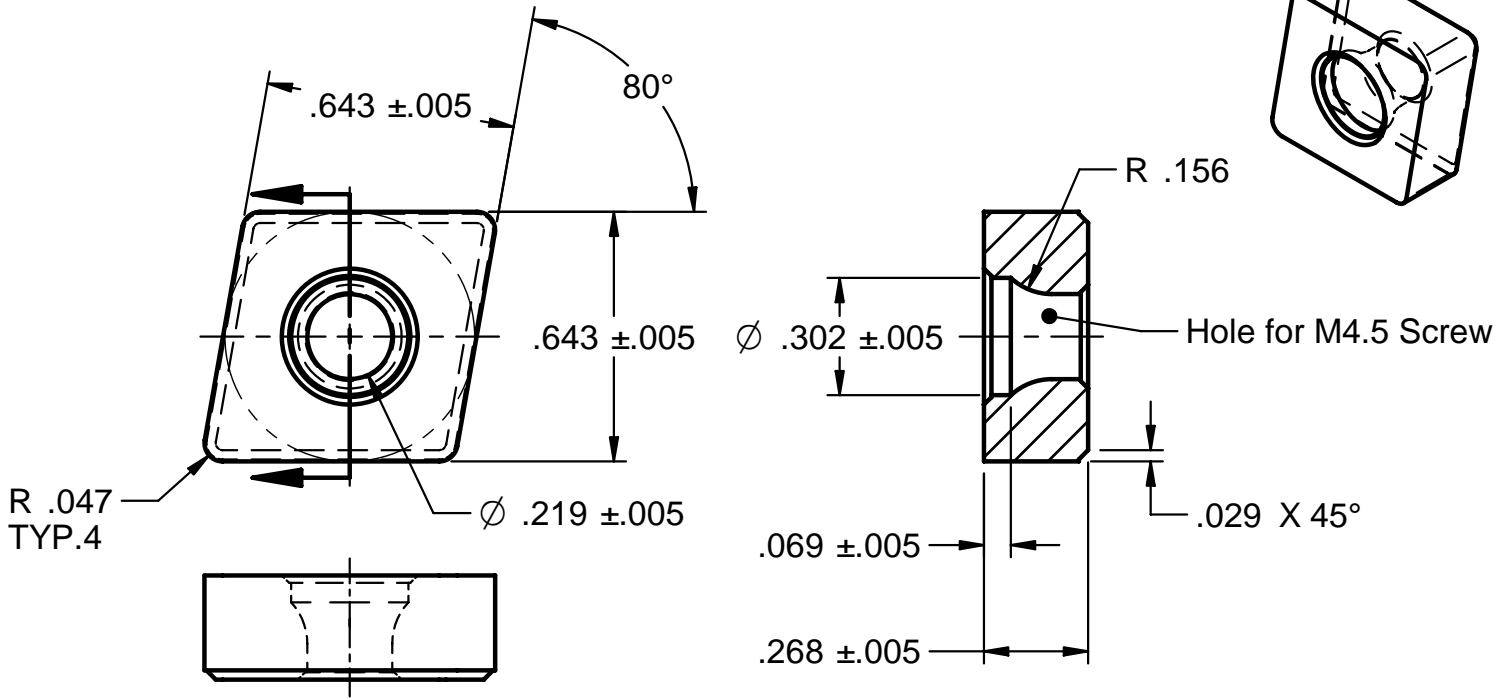




Tungste-Met

Style LX-0985-8

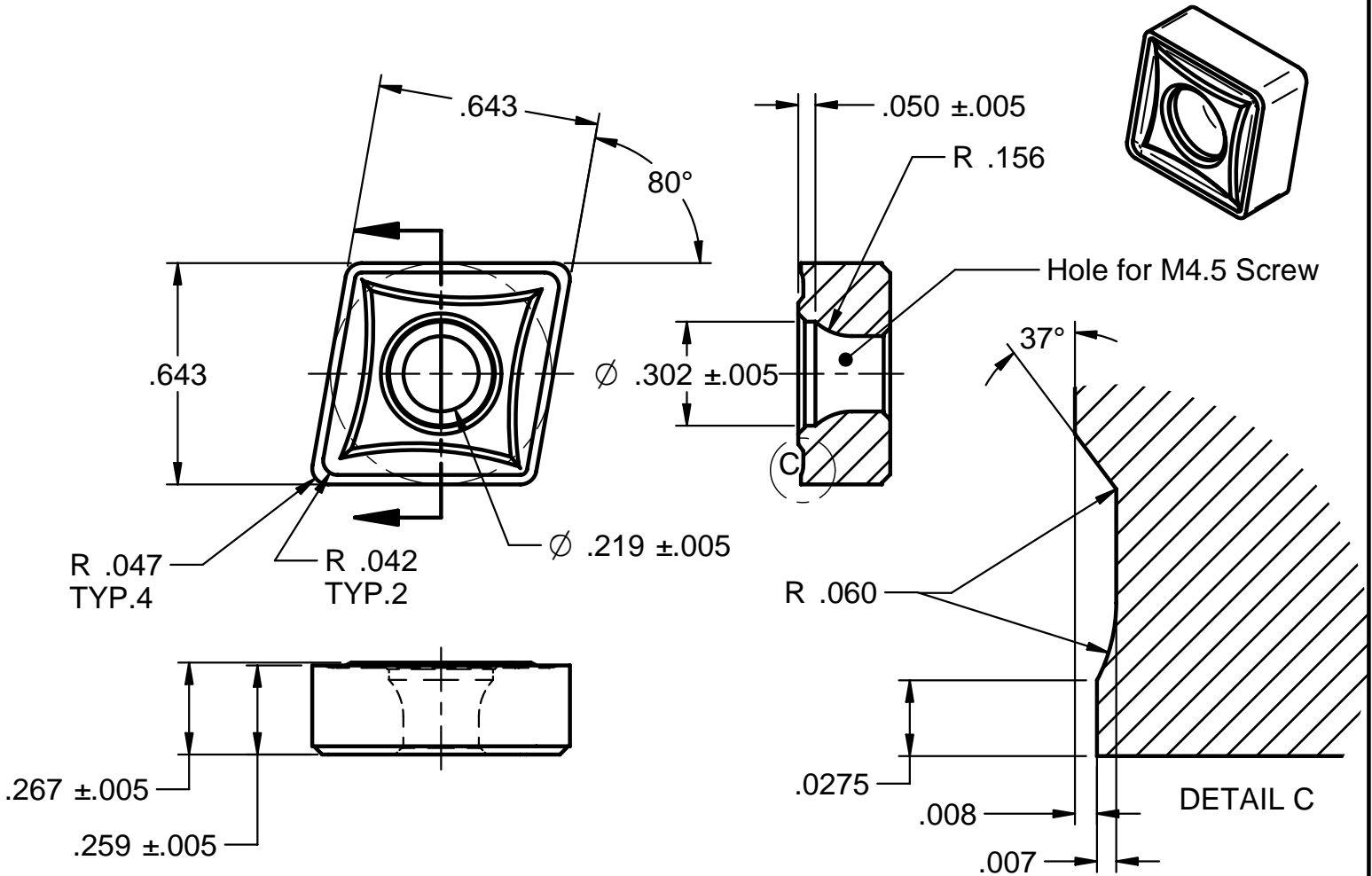
CNRW543



Tungste-Met

Style LX-0985-7

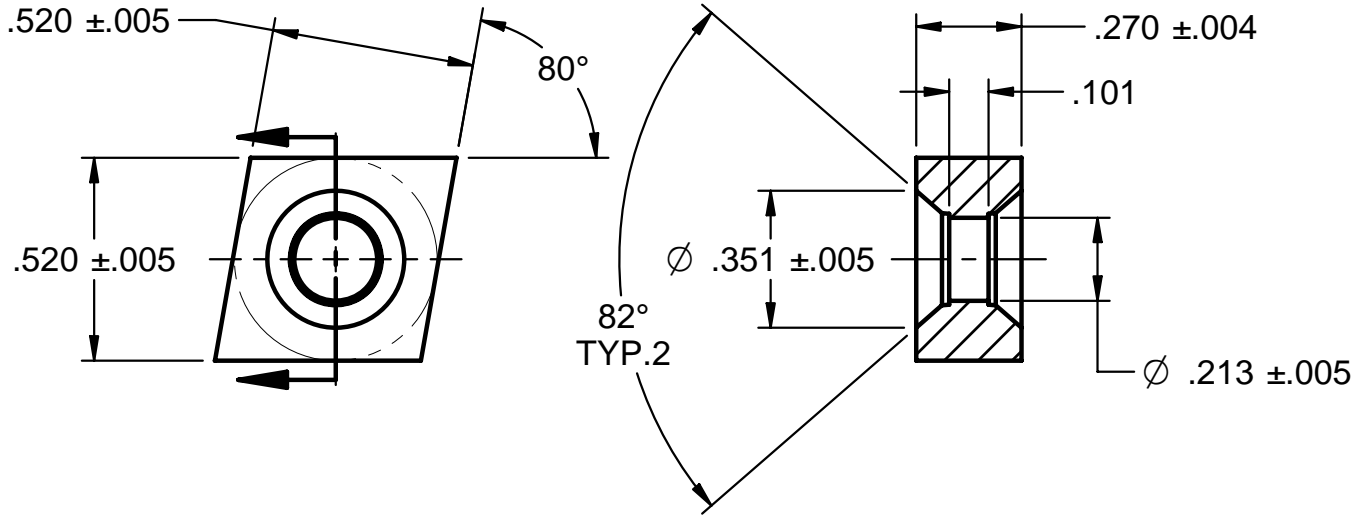
CNRT543



Tungste-Met

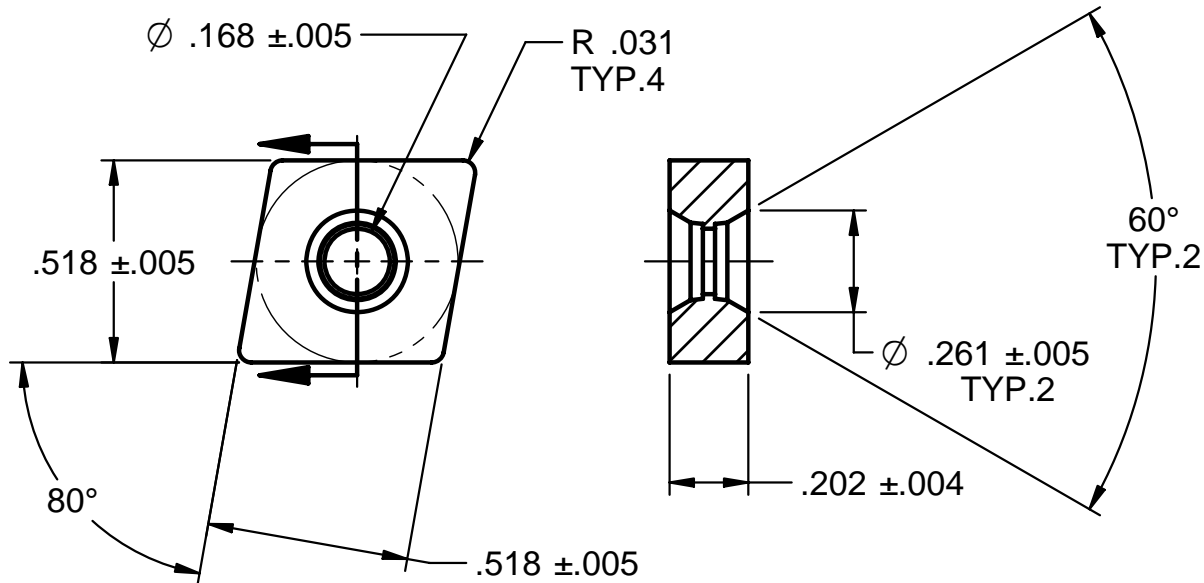
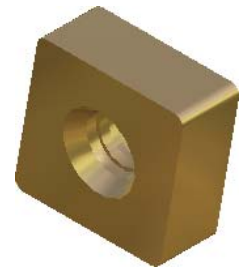
Style CNRC440

MA65610



Tungste-Met

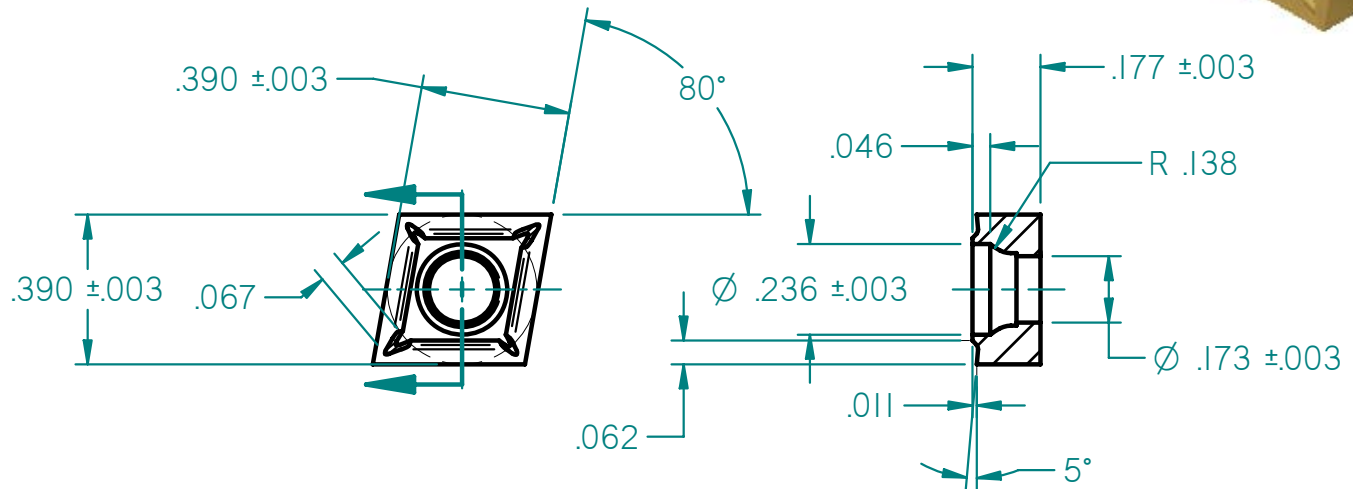
Style CNRQ432



Tungste-Met

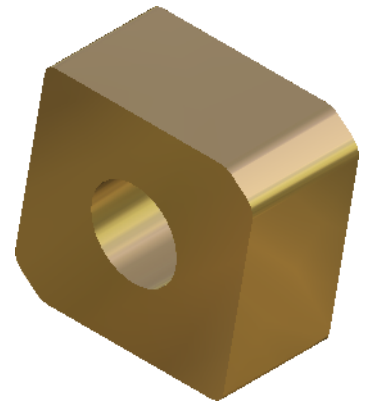
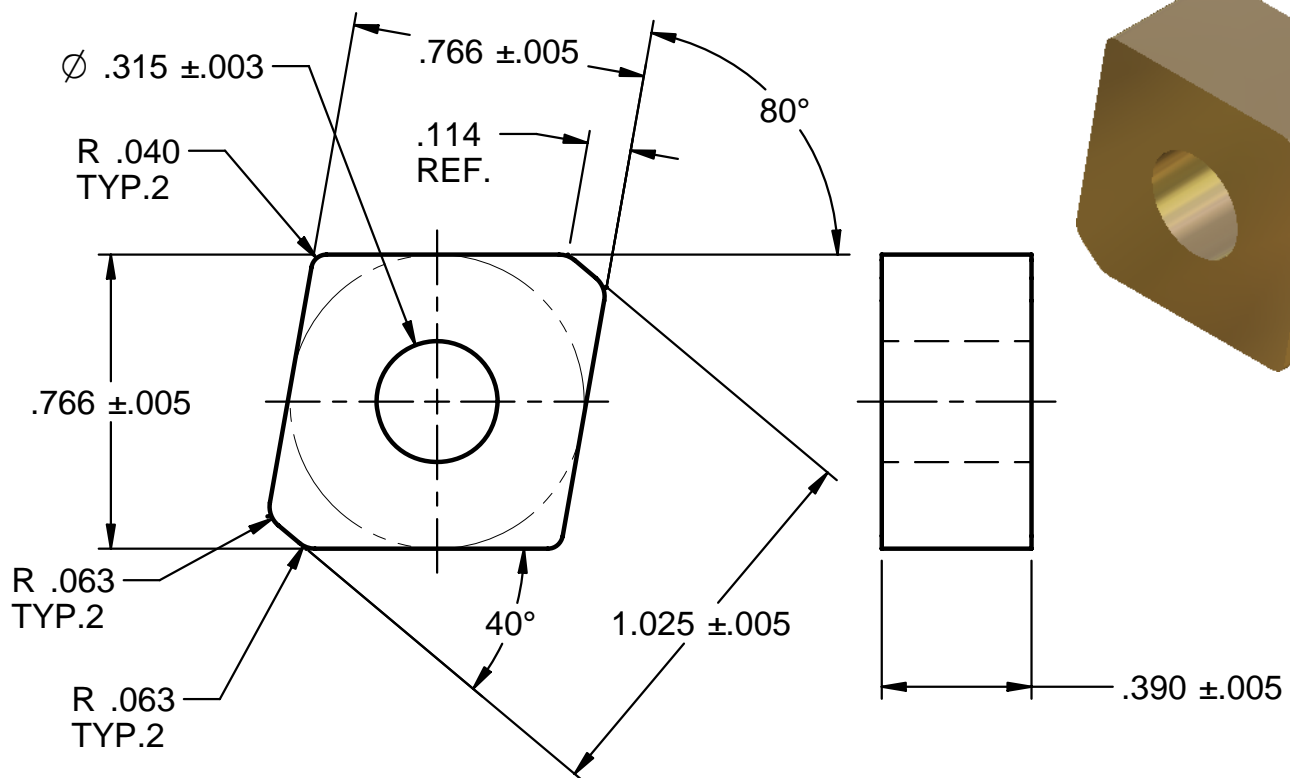
Style CNRT32.50TM

NOTE: This Insert can be ground from a 0 up to 3/64 Radii.



Tungste-Met

Style A-1322-A

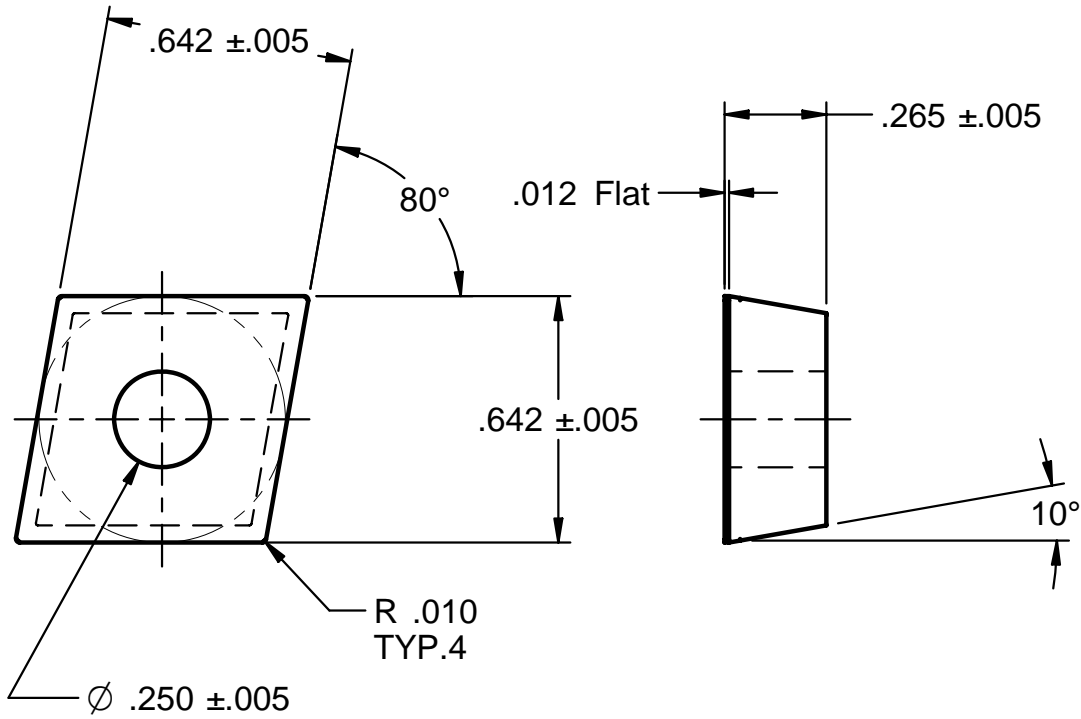




Tungste-Met

Style CPRA540

MA-71204



Tungste-Met

Style LX-1093-1

MA-67815

CNRP430

