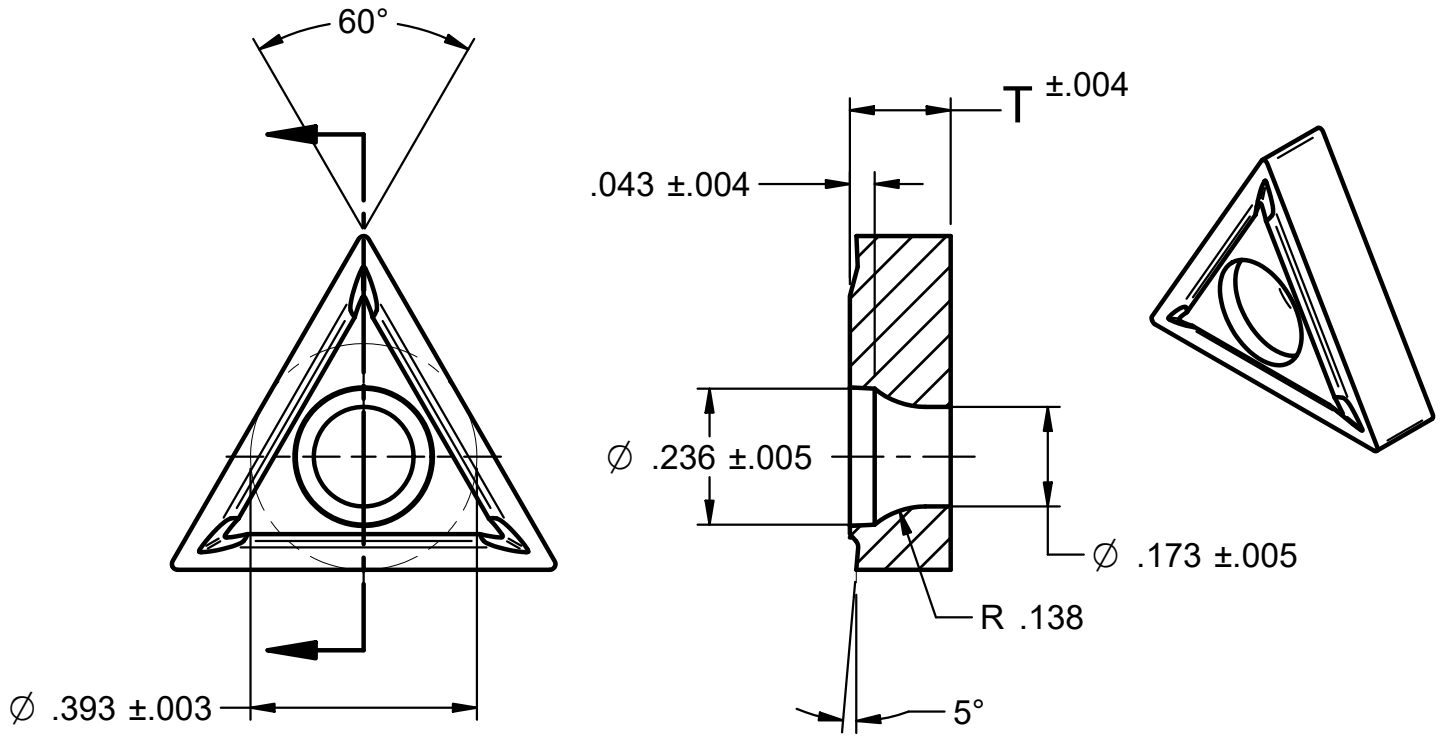
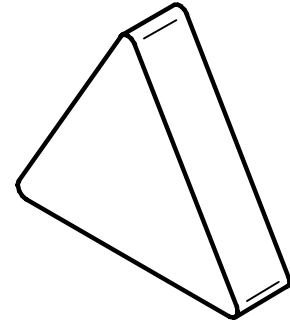
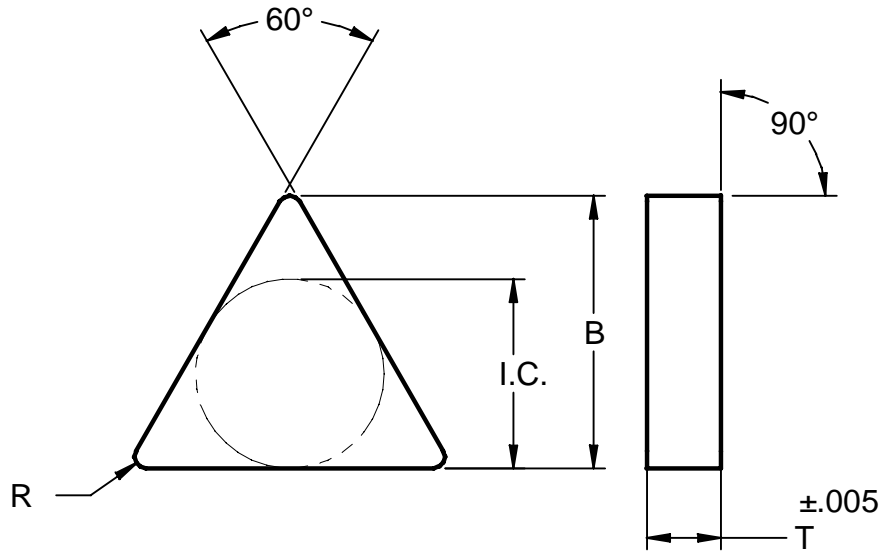


Tungste-Met

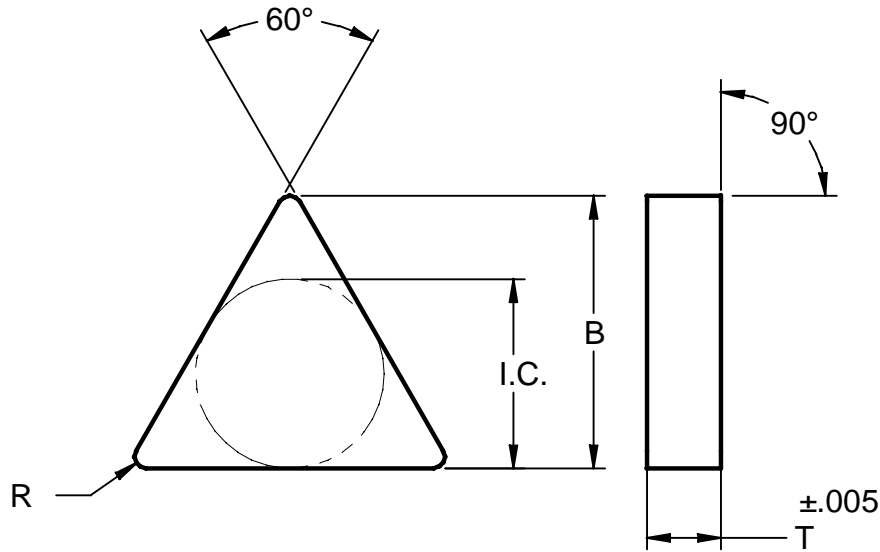
Style TNRT3-0-1-2-TM



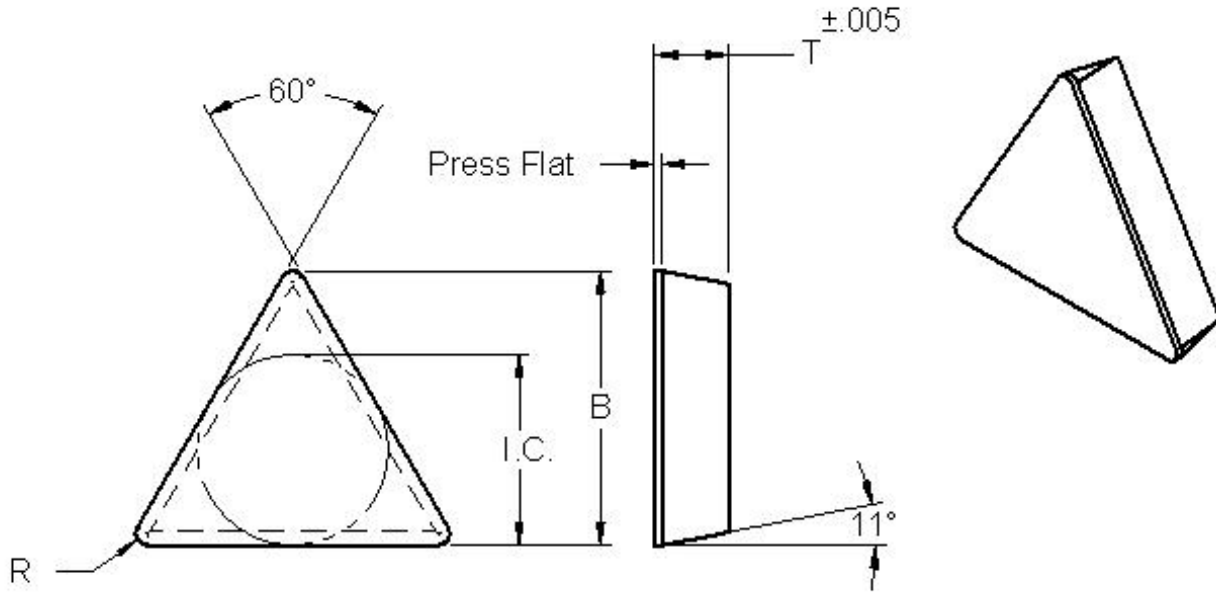
Style	T
TNRT320-1-2-TM	0.144
TNRT32.50-1-2-TM	0.175



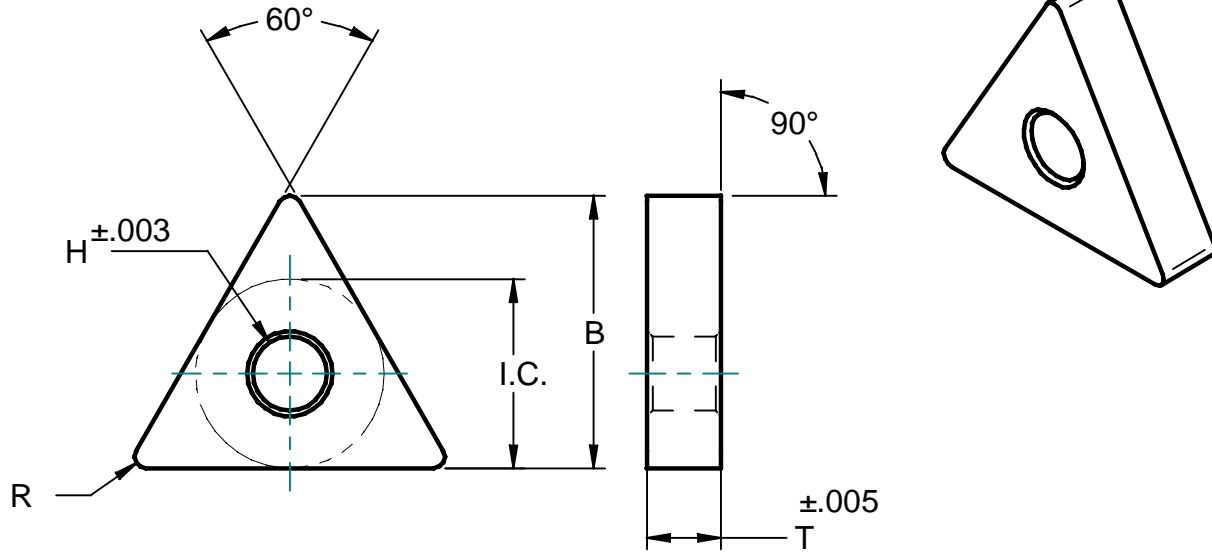
Insert	I.C.	B	T	R			Notes
TNR211	.264 ±.004	.381	.080	1/64			
TNR220	.264 ±.004	.384	.139	.012			
TNR221	.264 ±.004	.380	.139	1/64			
TNR222	.264 ±.004	.365	.139	1/32			
TNR2.521	.317 ±.005	.483	.139	1/64			
TNR320	.391 ±.005	.574	.139	.012			
TNR321	.391 ±.005	.570	.139	1/64			
TNR322	.391 ±.005	.555	.139	1/32			
TNR323	.391 ±.005	.539	.139	3/64			
TNR330	.391 ±.005	.574	.201	.012			
TNR331	.391 ±.005	.570	.201	1/64			
TNR332	.391 ±.005	.555	.201	1/32			
TNR333	.391 ±.005	.539	.201	3/64			
TNR340	.391 ±.005	.574	.265	.012			
TNR360	.391 ±.005	.601	.390	.008			
TNR420	.516 ±.005	.773	.139	.008			
TNR430	.516 ±.005	.769	.201	.012			
TNR432	.516 ±.005	.742	.201	1/32			
TNR433	.516 ±.005	.726	.201	3/64			
TNR434	.516 ±.005	.711	.201	1/16			
TNR440	.516 ±.005	.761	.265	.012			
TNR442	.516 ±.005	.742	.265	1/32			
TNR444	.516 ±.005	.711	.265	1/16			



Insert	I.C.	B	T	R			Notes
TNR450	.516 ±.005	.761	.327	.012			
TNR460	.516 ±.005	.761	.390	.012			
TNR462	.516 ±.005	.742	.390	1/32			
TNR490	.516 ±.005	.775	.593	.006			
TNR520	.641 ±.005	.951	.139	.008			
TNR530	.641 ±.005	.951	.201	.008			
TNR540	.641 ±.005	.951	.265	.008			
TNR543	.641 ±.005	.916	.265	3/64			
TNR544	.641 ±.005	.901	.265	1/16			
TNR546	.641 ±.005	.869	.265	3/32			
TNR560	.641 ±.005	.951	.390	.008			
TNR570	.641 ±.005	.951	.443	.008			
TNR620	.771 ±.006	1.156	.140	0			
TNR630	.771 ±.006	1.156	.203	0			
TNR640	.771 ±.006	1.156	.265	0			
TNR650	.771 ±.006	1.156	.327	0			
TNR660	.771 ±.006	1.156	.390	0			
TNR621	.771 ±.006	1.140	.140	1/64			
TNR631	.771 ±.006	1.140	.203	1/64			
TNR641	.771 ±.006	1.140	.265	1/64			
TNR651	.771 ±.006	1.140	.327	1/64			
TNR661	.771 ±.006	1.140	.390	1/64			
TNR644	.771 ±.006	1.094	.265	1/16			
TNR664	.771 ±.006	1.094	.390	1/16			

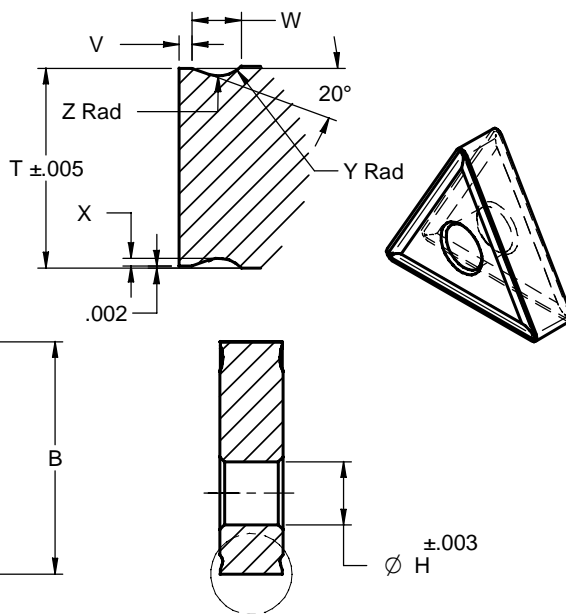
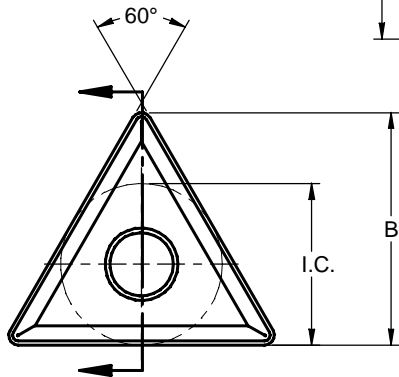


Insert	I.C.	B	T	R			Notes
TPR220	.264 ±.004	.381	.139	1/64			
TPR221	.264 ±.004	.381	.139	1/64			
TPR222	.264 ±.004	.365	.139	1/32			
TPR223	.264 ±.004	.353	.139	3/64			
TPR320	.391 ±.005	.570	.139	1/64			
TPR321	.391 ±.005	.570	.139	1/64			
TPR322	.391 ±.005	.550	.139	1/32			
TPR323	.391 ±.005	.550	.139	1/32			
TPR324	.391 ±.005	.524	.139	1/16			
TPR326	.391 ±.005	.492	.139	3/32			
TPR330	.391 ±.005	.570	.201	1/64			.090 Press Flat
TPR331	.391 ±.005	.570	.201	1/64			.090 Press Flat
TPR332	.391 ±.005	.550	.201	1/32			.090 Press Flat
TPR333	.391 ±.005	.550	.201	1/32			.090 Press Flat
TPR420	.516 ±.005	.758	.139	1/64			
TPR421	.516 ±.005	.758	.139	1/64			
TPR430	.516 ±.005	.758	.201	1/64			
TPR431	.516 ±.005	.758	.201	1/64			
TPR432	.516 ±.005	.742	.201	1/32			.079 Press Flat
TPR433	.516 ±.005	.727	.201	3/64			
TPR436	.516 ±.005	.680	.201	3/32			
TPR438	.516 ±.005	.649	.201	1/8			
TPR441	.516 ±.005	.742	.265	1/32			
TPR442	.516 ±.005	.742	.265	1/32			



Insert	I.C.	B	T	R	H		Notes
TNRA220	.270 ±.005	.389	.078	1/64	.093		
TNRA221	.263 ±.005	.379	.143	1/64	.140		
TNRA21.50	.270 ±.005	.389	.108	1/64	.132		
TNRA2.525	.327 ±.007	.412	.143	5/64	.150		
TNRA2.521	.327 ±.007	.412	.143	1/64	.125		
TNRA320	.393 ±.007	.590	.143	.010	.150		
TNRA330	.393 ±.007	.590	.206	.010	.150		
TNRA333	.393 ±.007	.543	.206	.010	.150		
TNRA335	.393 ±.007	.511	.206	5/64	.150		
TNRA420	.520 ±.007	.780	.143	.010	.203		
TNRA430	.520 ±.007	.780	.206	.010	.203		
TNRA440	.520 ±.007	.780	.268	.010	.203		
TNRA445	.520 ±.007	.702	.268	5/64	.203		
TNRA450	.520 ±.007	.780	.330	.010	.203		
TNRA460	.520 ±.007	.780	.293	.010	.203		
TNRA520	.645 ±.007	.968	.143	.010	.253		
TNRA530	.645 ±.007	.968	.206	.010	.253		
TNRA540	.645 ±.007	.968	.268	.010	.253		
TNRA550	.645 ±.007	.968	.330	.010	.253		
TNRA630	.770 ±.007	1.155	.206	.010	.313		
TNRA631	.770 ±.007	1.133	.206	.010	.253		
TNRA640	.770 ±.007	1.155	.268	.010	.313		
TNRA650	.770 ±.007	1.155	.330	.010	.313		
TNRA660	.770 ±.007	1.155	.393	.010	.313		
TNRA670	.770 ±.007	1.155	.456	.010	.313		

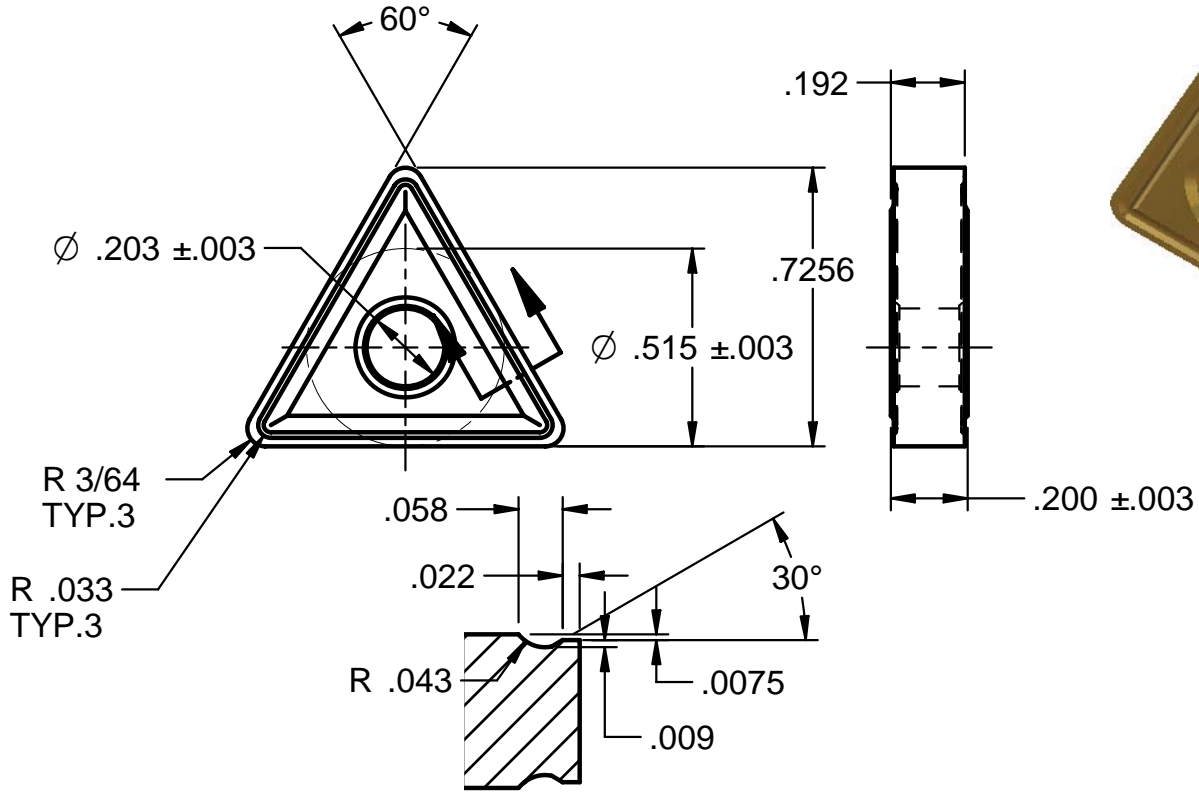
I.C.	V	W	X	Y	Z
1/4	.008	.043	.006	.055	.030
3/8	.010	.045	.006	.075	.030
1/2	.013	.049	.008	.100	.030
5/8	.018	.057	.008	.150	.050
3/4	.026	.062	.008	.187	.050



Insert	I.C.	B	T	R	H	Notes
TNMG221	.250 ±.002	.359	.125	1/64	.090	
TNMG222	.250 ±.002	.344	.125	1/32	.090	
TNMG321	.375 ±.002	.547	.125	1/64	.150	
TNMG322	.375 ±.002	.531	.125	1/32	.150	
TNMG323	.375 ±.002	.516	.125	3/64	.150	
TNMG324	.375 ±.002	.500	.125	1/64	.150	
TNMG326	.375 ±.002	.469	.125	3/32	.150	
TNMG331	.375 ±.002	.547	.188	1/64	.150	
TNMG332	.375 ±.002	.531	.188	1/32	.150	
TNMG333	.375 ±.002	.516	.188	3/64	.150	
TNMG334	.375 ±.002	.500	.188	1/16	.150	
TNMG336	.375 ±.002	.469	.188	3/32	.150	
TNMG431	.500 ±.003	.734	.188	1/64	.203	
TNMG432	.500 ±.003	.719	.188	1/32	.203	
TNMG433	.500 ±.003	.703	.188	3/64	.203	
TNMG434	.500 ±.003	.688	.188	1/16	.203	
TNMG436	.500 ±.003	.656	.188	3/32	.203	
TNMG438	.500 ±.003	.625	.188	1/8	.203	
TNMG442	.500 ±.003	.719	.250	1/32	.203	
TNMG443	.500 ±.003	.703	.250	3/64	.203	
TNMG444	.500 ±.003	.688	.250	1/16	.203	
TNMG454	.500 ±.003	.688	.313	1/16	.203	
TNMG534	.625±.003	.875	.188	1/16	.253	
TNMG542	.625±.003	.906	.250	1/32	.253	
TNMG543	.625±.003	.491	.250	3/64	.253	

Tungste-Met

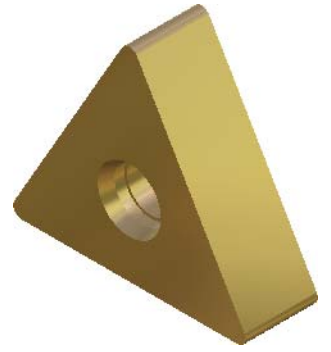
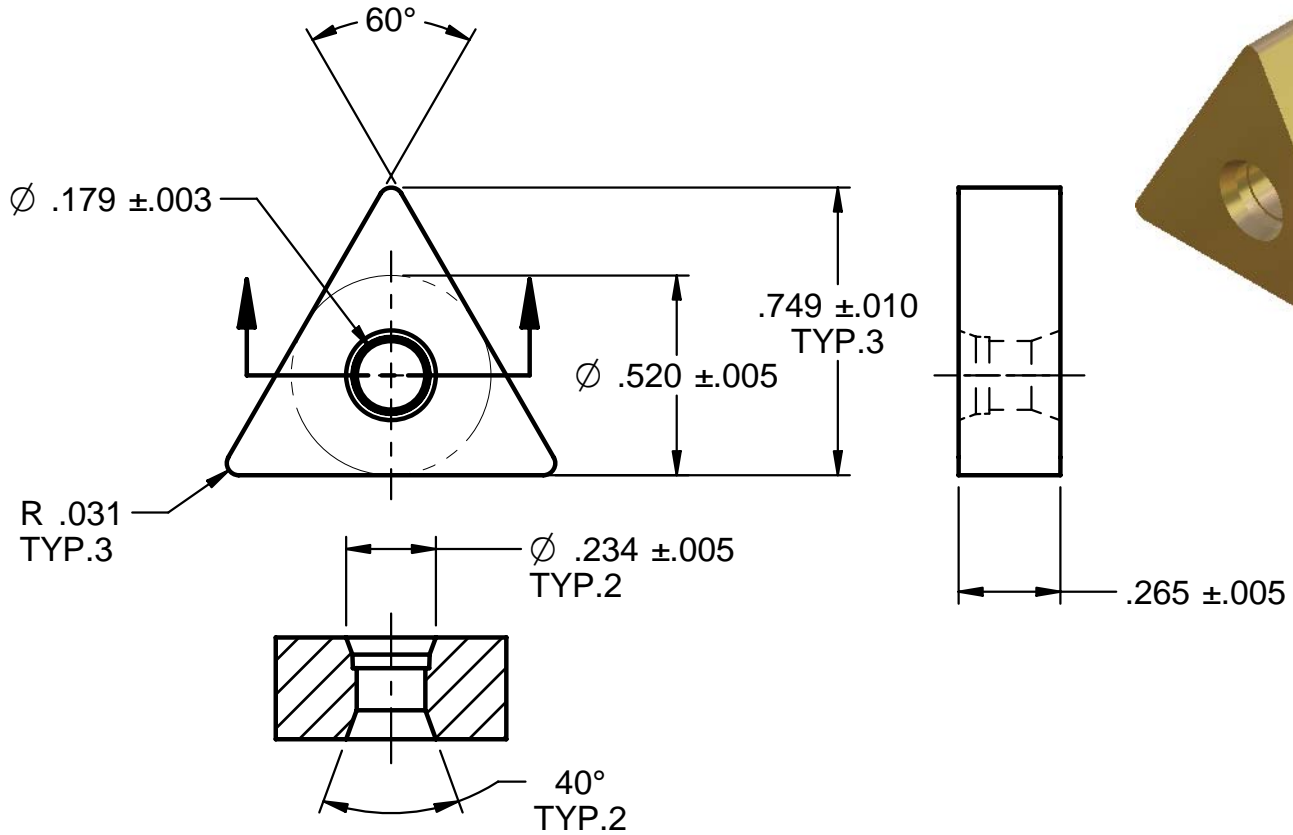
Style TNRG433



Tungste-Met

Style LX-1171-4

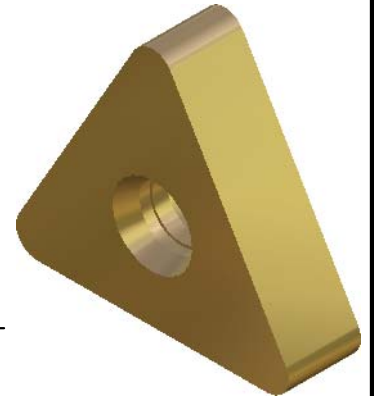
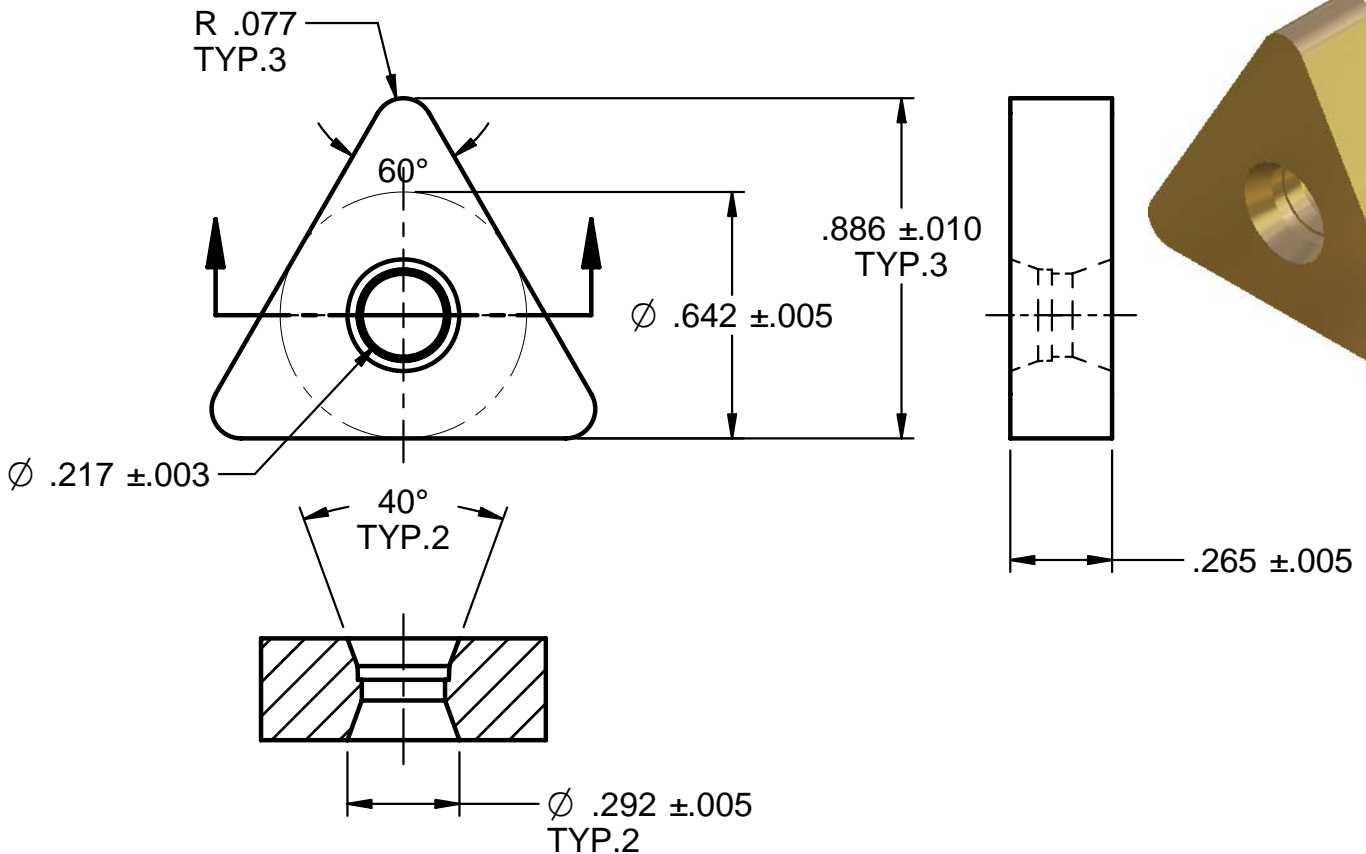
TNRQ442



Tungste-Met

Style LX-1171-2

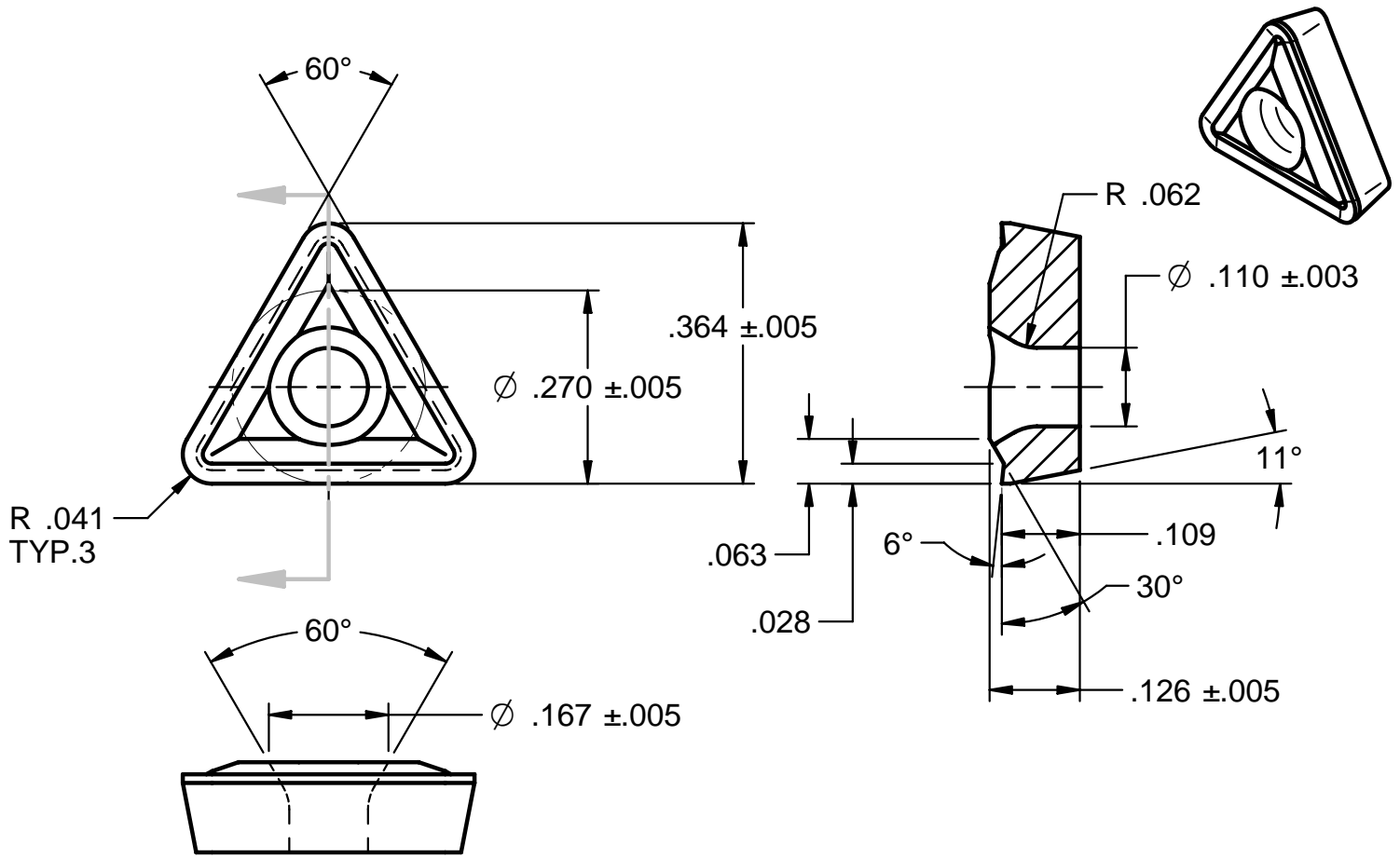
TNRQ545



Tungste-Met

Style A-2125-B

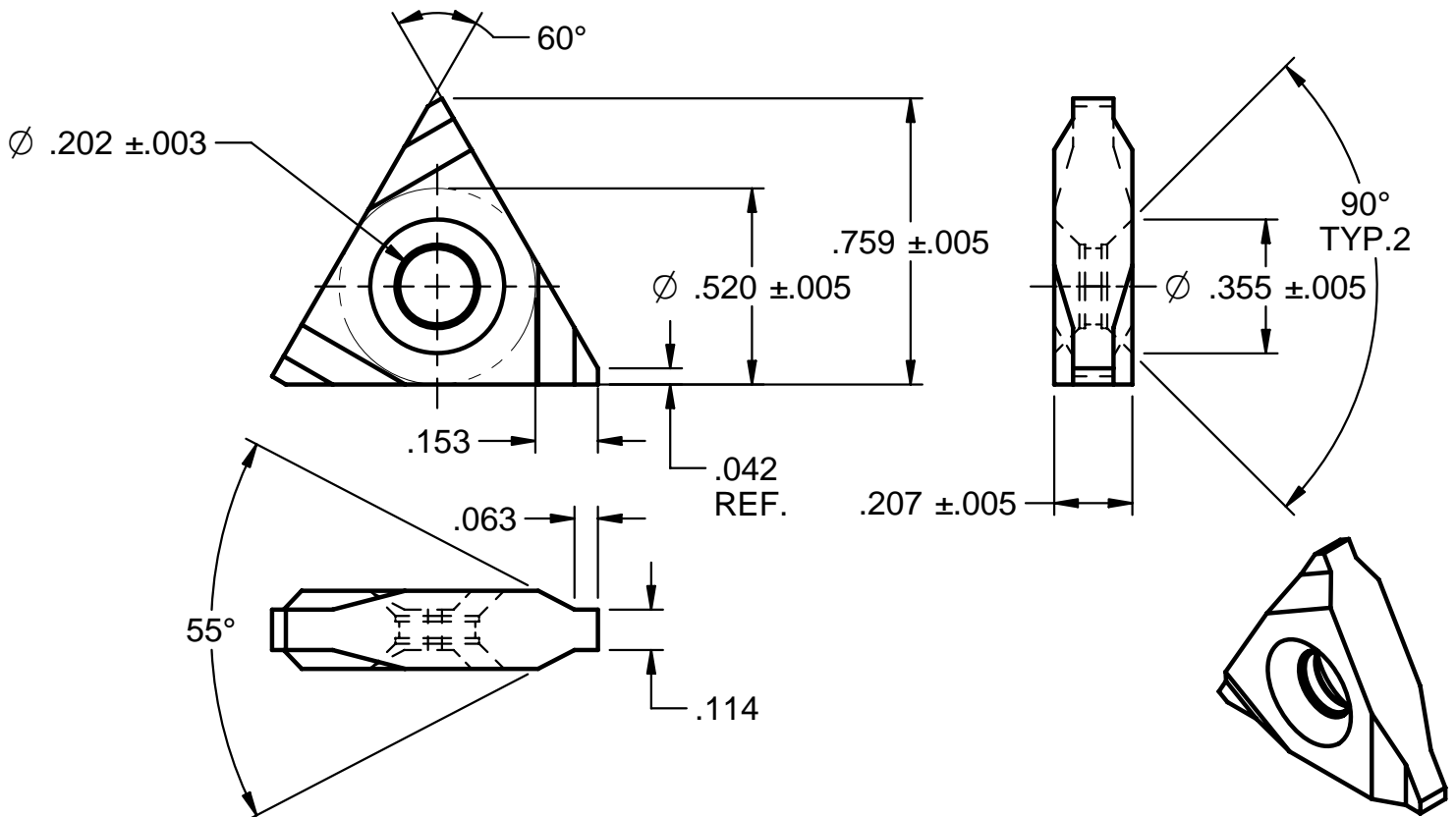
TPRT21.52



Tungste-Met

Style A-1161-C

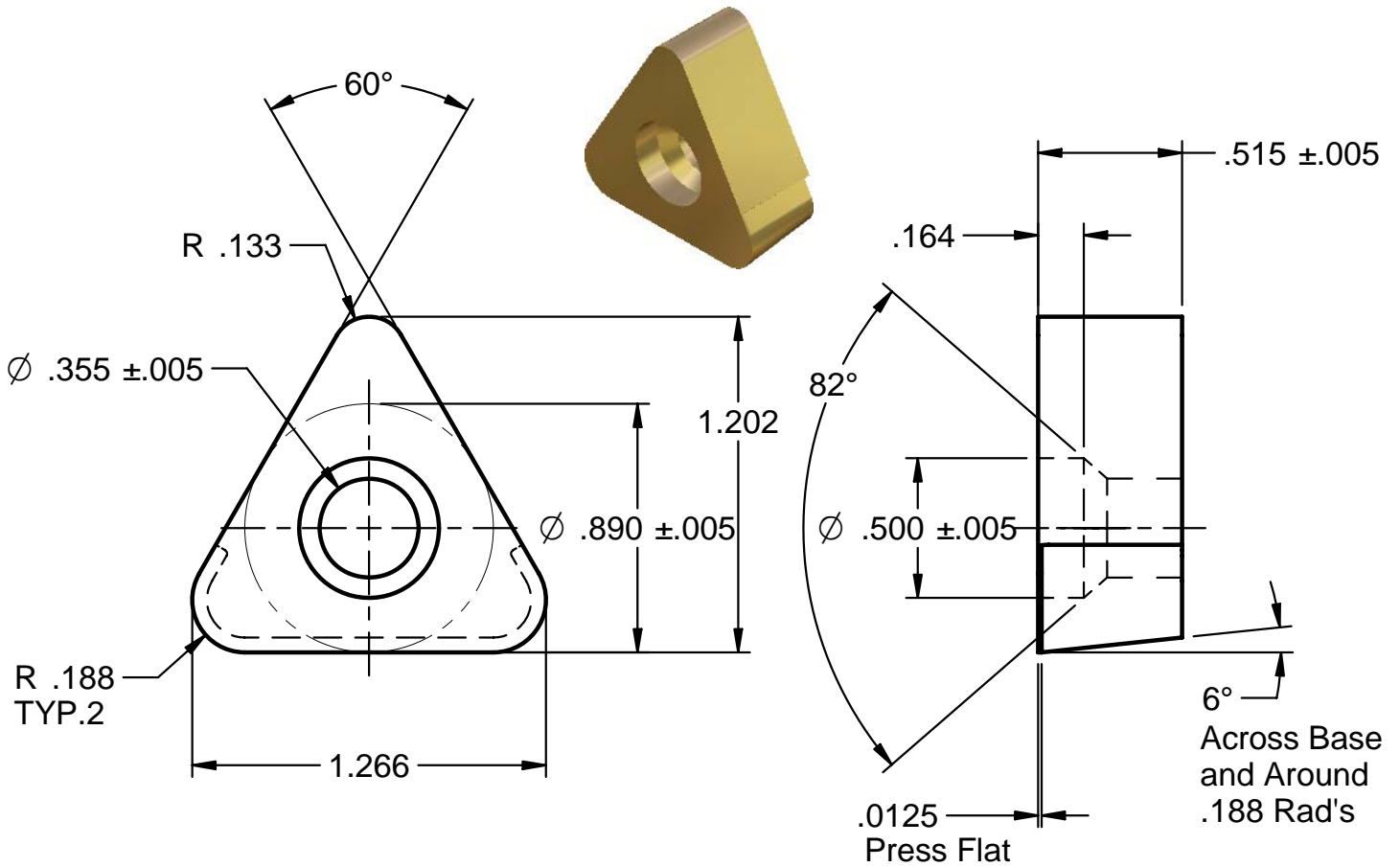
TNRC43-



Tungste-Met

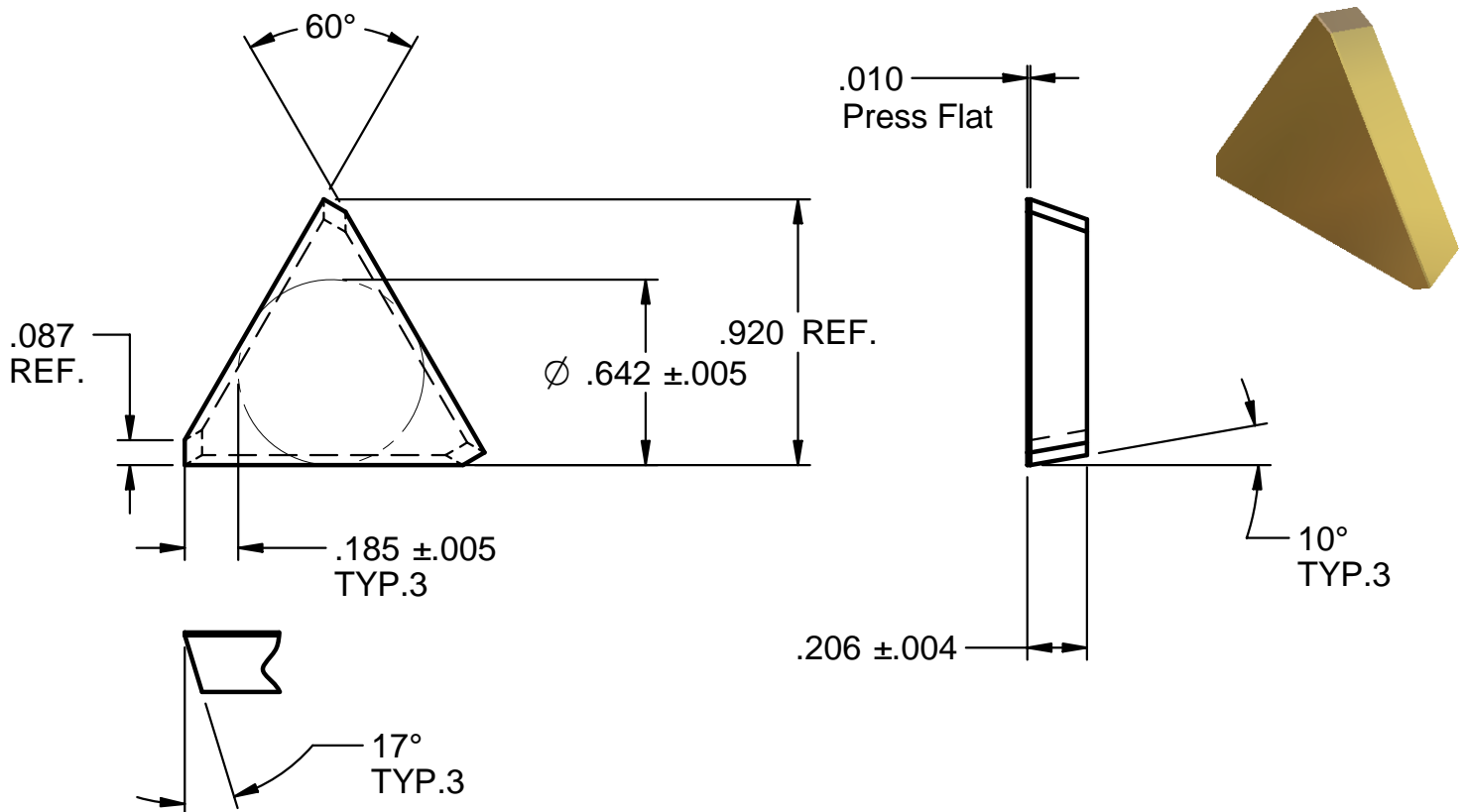
Style MA72208

LX-0466-4X



Tungste-Met

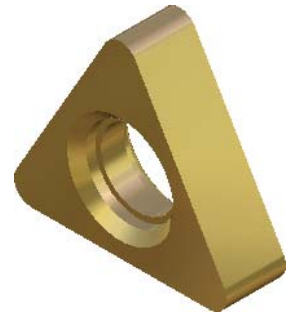
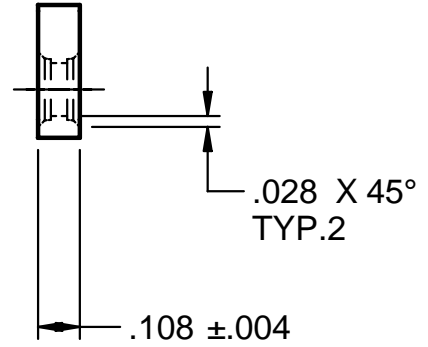
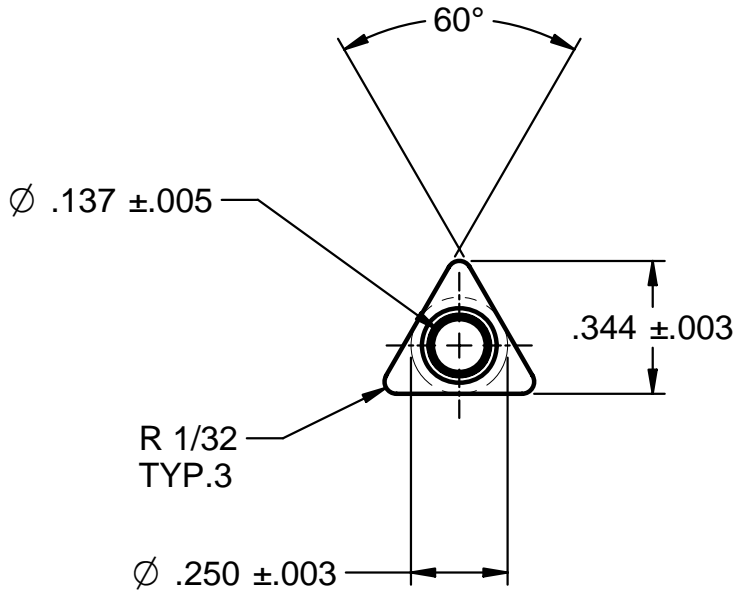
Style T56P-Y4



Tungste-Met

Style TNSC21.52

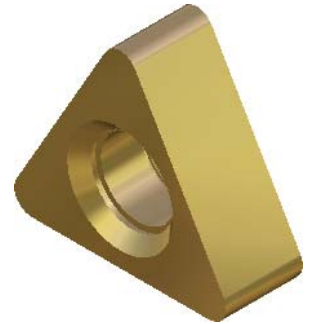
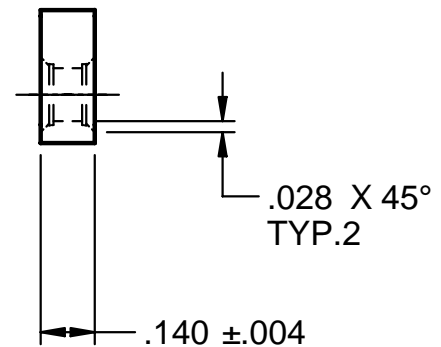
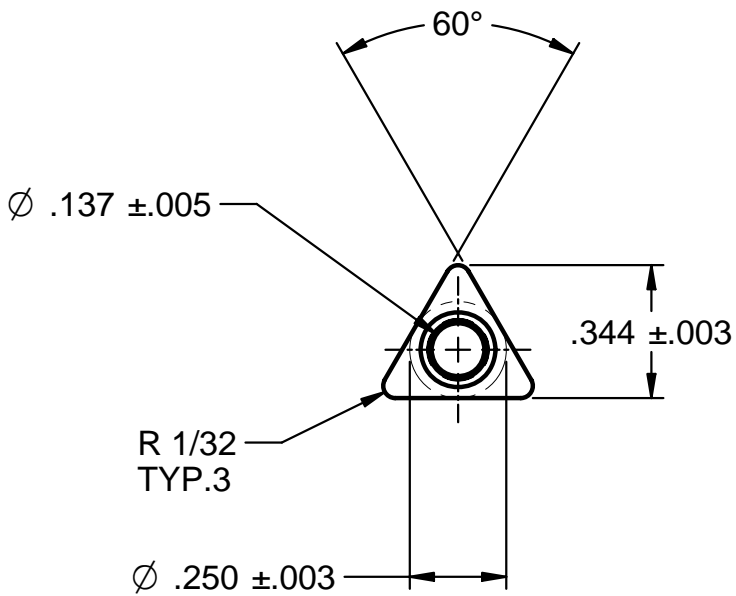
BRAKE DRUM
INSERT



Tungste-Met

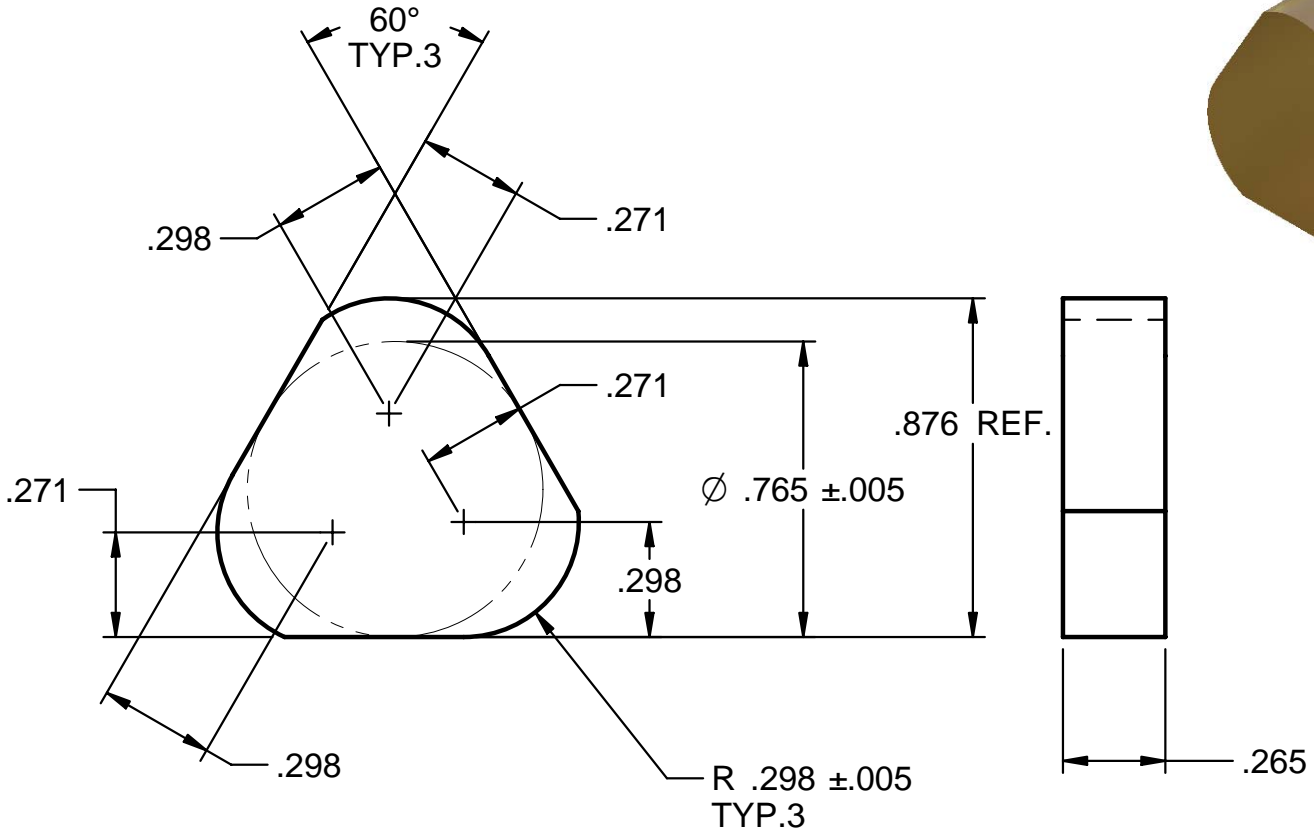
Style TNSC222

BRAKE DRUM
INSERT



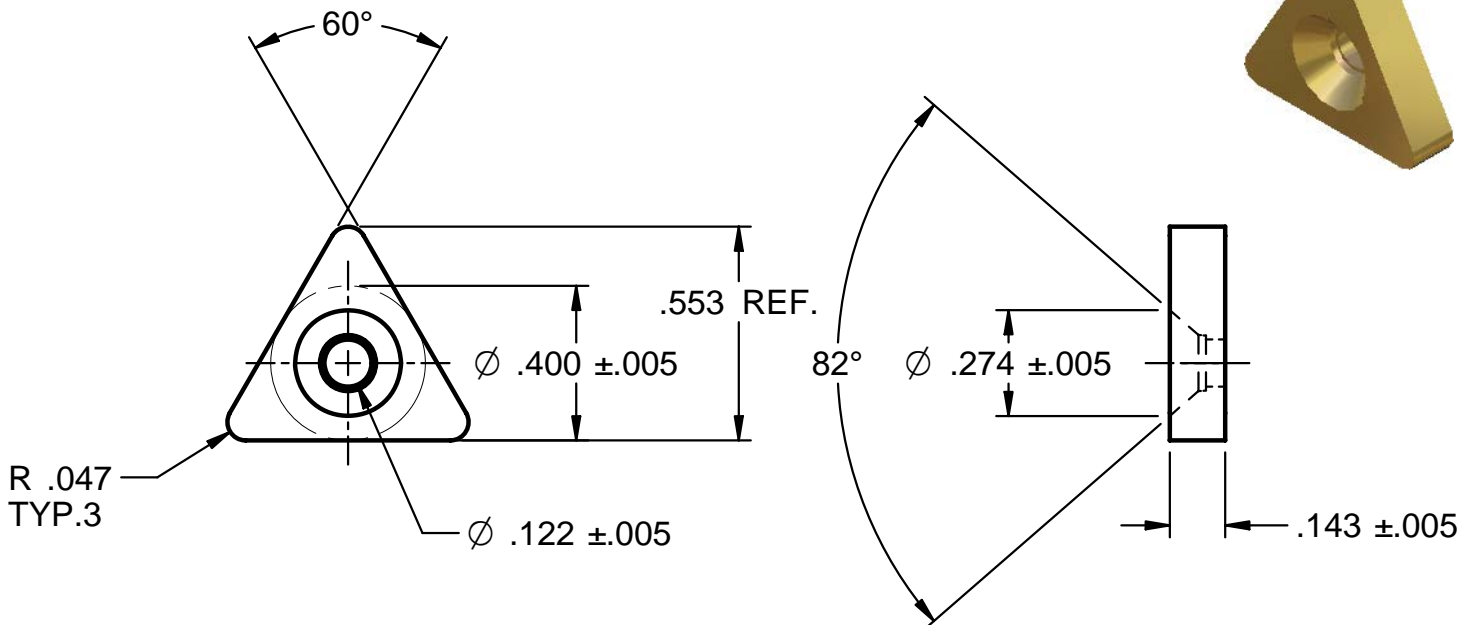
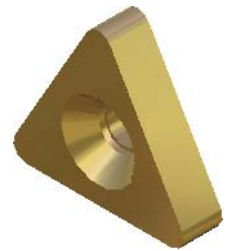
Tungste-Met

Style LX-1347-2



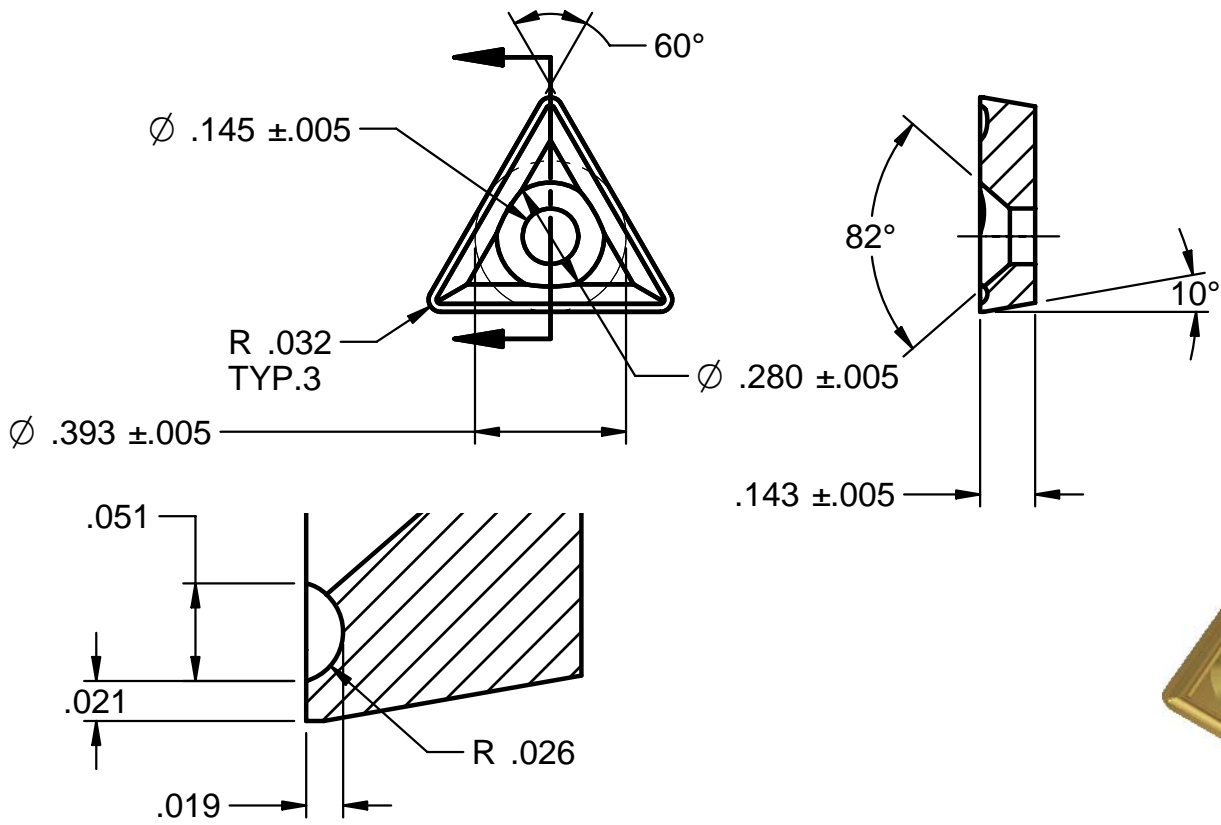
Tungste-Met

Style TNRB323-#4



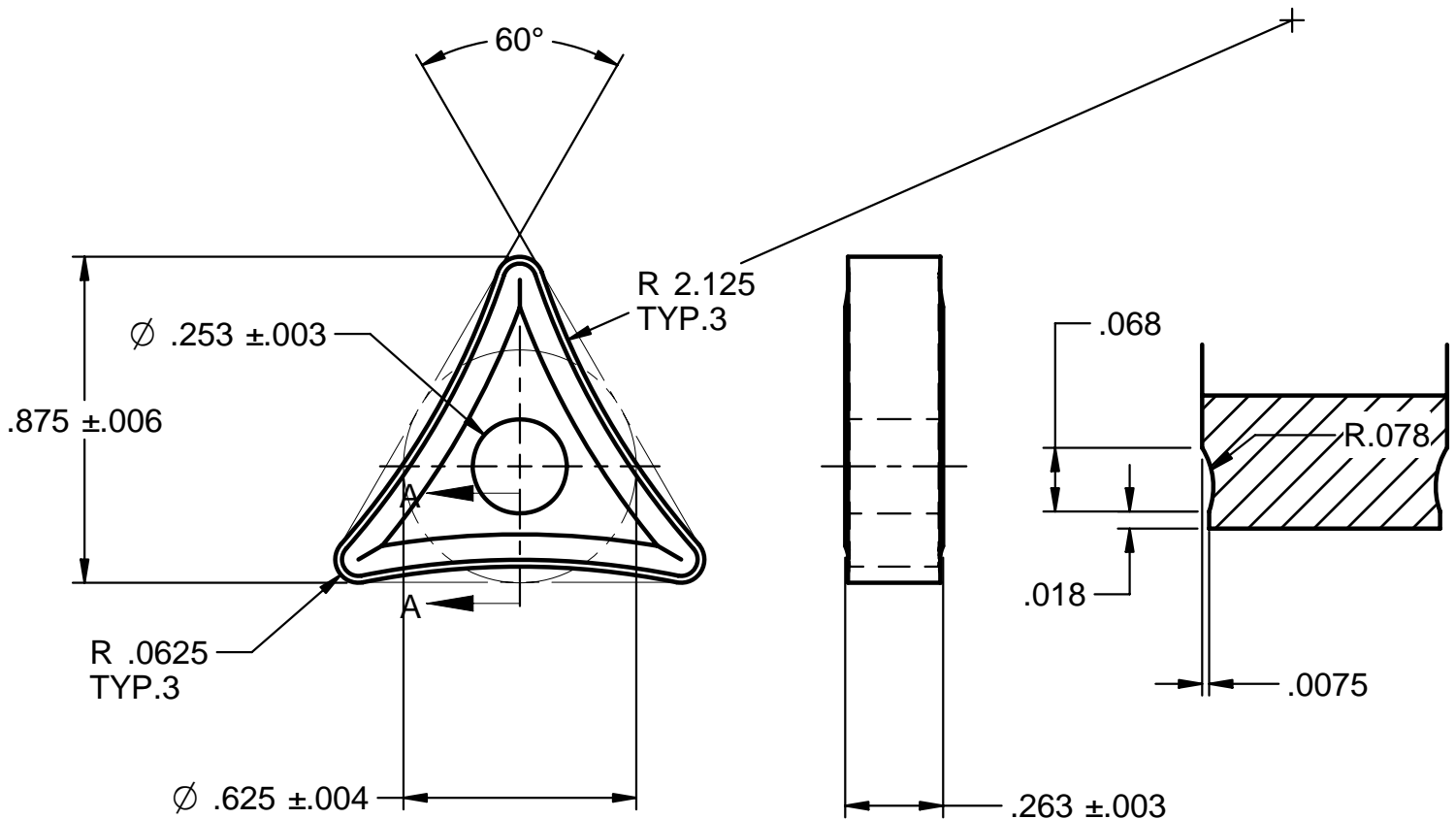
Tungste-Met

Style A-0948-C



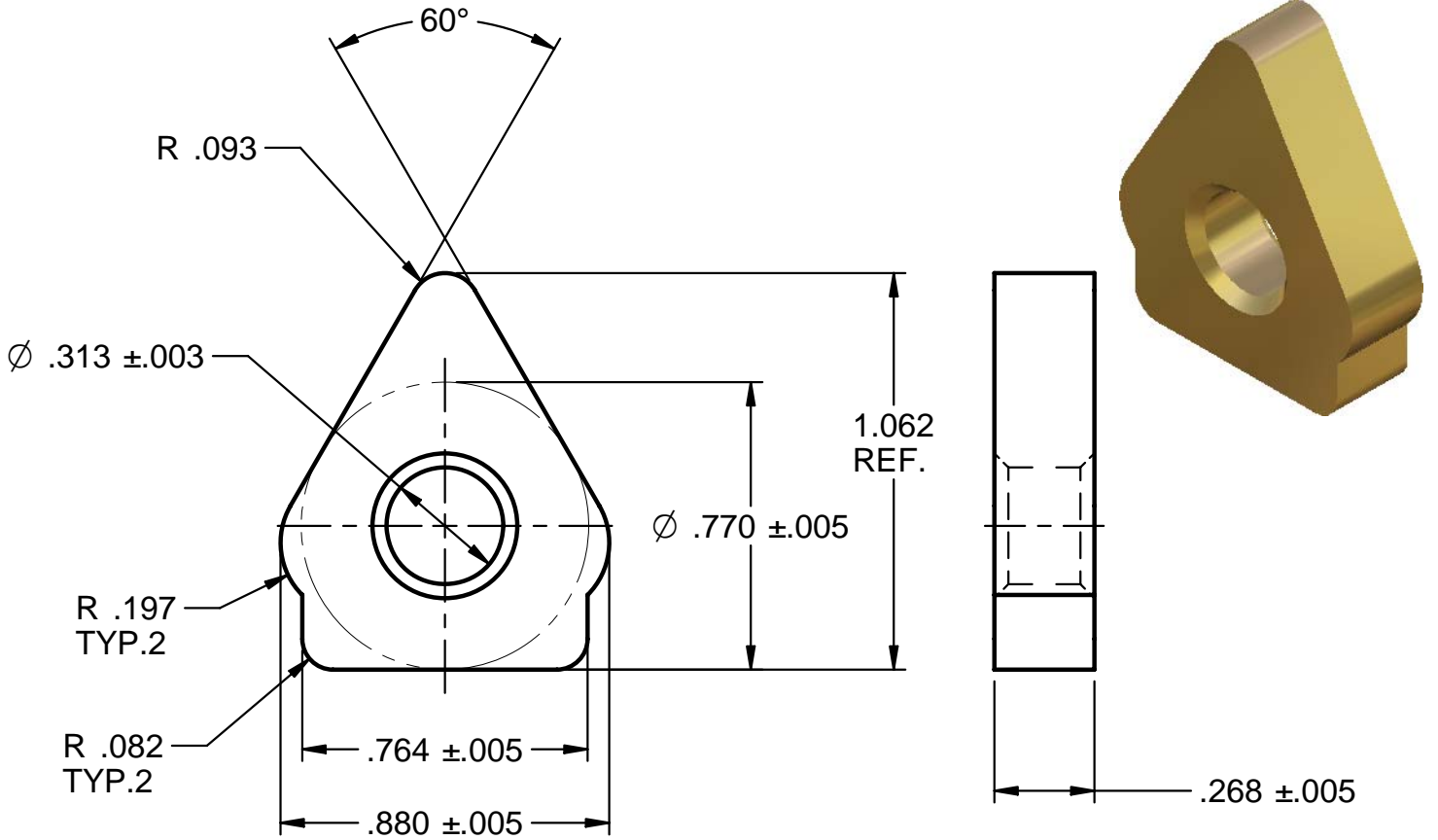
Tungste-Met

Style TNSX544-R2.125



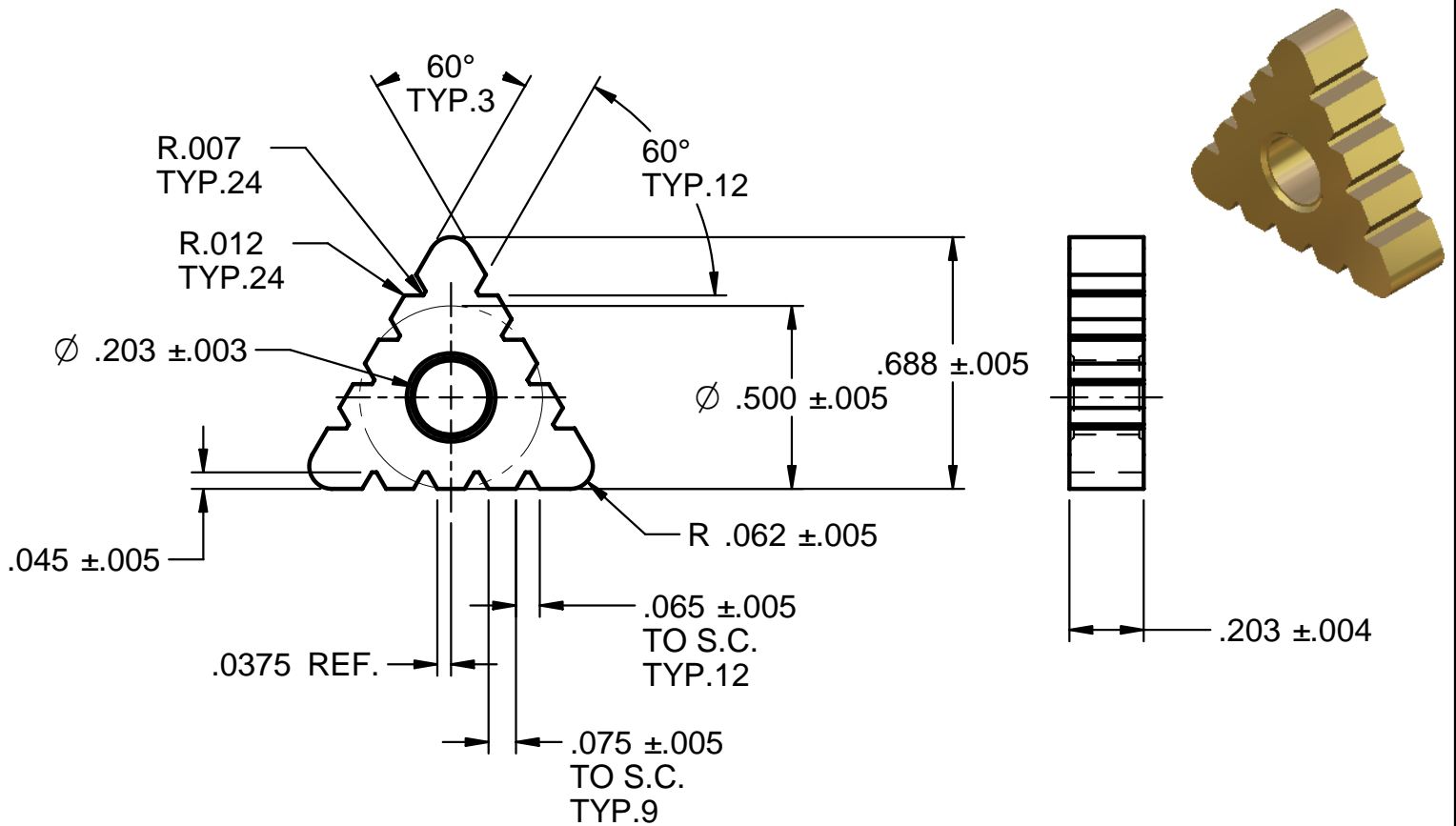
Tungste-Met

Style TNRA646-X400



Tungste-Met

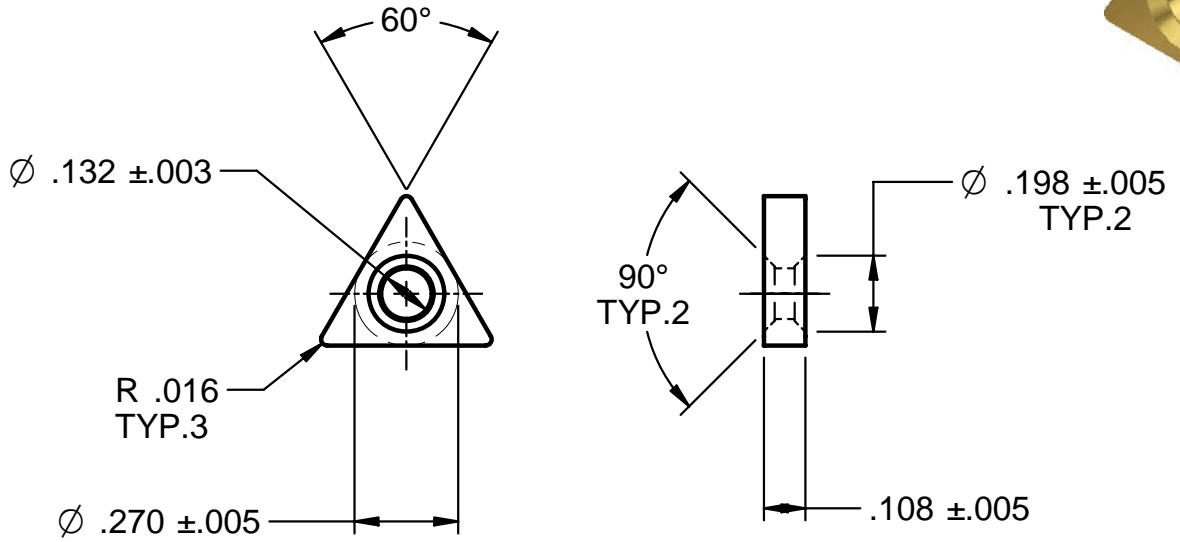
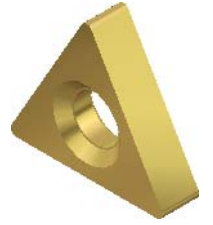
Style A-2915-B



Tungste-Met

Style TNRC21.50

Brake Drum Insert



Tungste-Met

Style LX-0375

