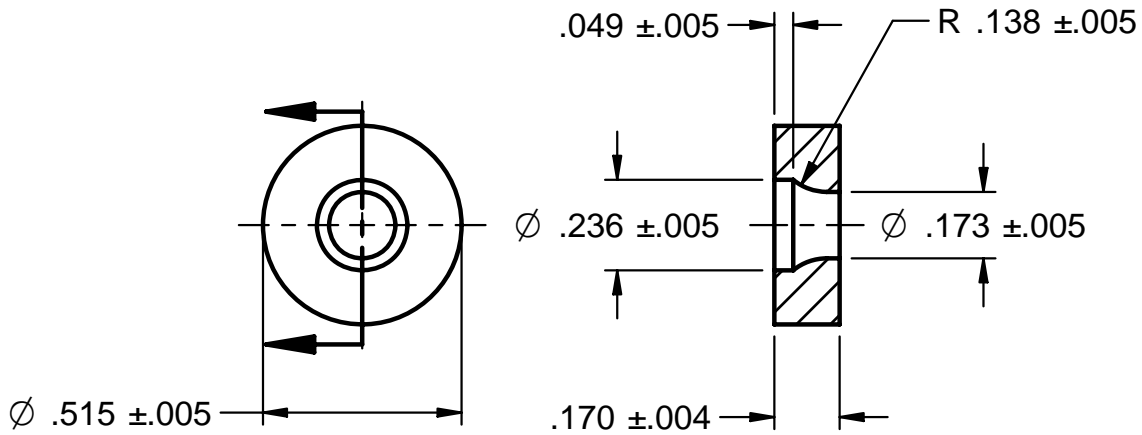
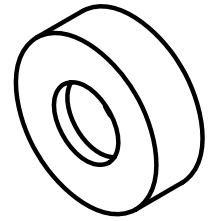


| Insert | I.C. | | T | | | | Notes |
|--------|-------------|--|------|--|--|--|-------|
| RNR22 | .268 ±.005 | | .139 | | | | |
| RNR23 | .268 ±.005 | | .203 | | | | |
| RNR24 | .268 ±.005 | | .265 | | | | |
| RNR32 | .391 ±.005 | | .139 | | | | |
| RNR33 | .391 ±.005 | | .203 | | | | |
| RNR34 | .391 ±.005 | | .265 | | | | |
| RNR35 | .391 ±.005 | | .328 | | | | |
| RNR36 | .391 ±.005 | | .390 | | | | |
| RNR42 | .516 ±.005 | | .139 | | | | |
| RNR43 | .516 ±.005 | | .203 | | | | |
| RNR44 | .516 ±.005 | | .265 | | | | |
| RNR45 | .516 ±.005 | | .328 | | | | |
| RNR52 | .643 ±.006 | | .139 | | | | |
| RNR53 | .643 ±.006 | | .203 | | | | |
| RNR54 | .643 ±.006 | | .265 | | | | |
| RNR55 | .643 ±.006 | | .328 | | | | |
| RNR62 | .770 ±.006 | | .139 | | | | |
| RNR63 | .770 ±.006 | | .203 | | | | |
| RNR64 | .770 ±.006 | | .265 | | | | |
| RNR73 | .895 ±.006 | | .203 | | | | |
| RNR83 | 1.020 ±.006 | | .203 | | | | |
| RNR84 | 1.020 ±.006 | | .265 | | | | |
| RNR86 | 1.020 ±.006 | | .390 | | | | |
| RNR94 | 1.050 ±.006 | | .265 | | | | |
| RNR104 | 1.275±.010 | | .270 | | | | |

Tungste-Met

Style

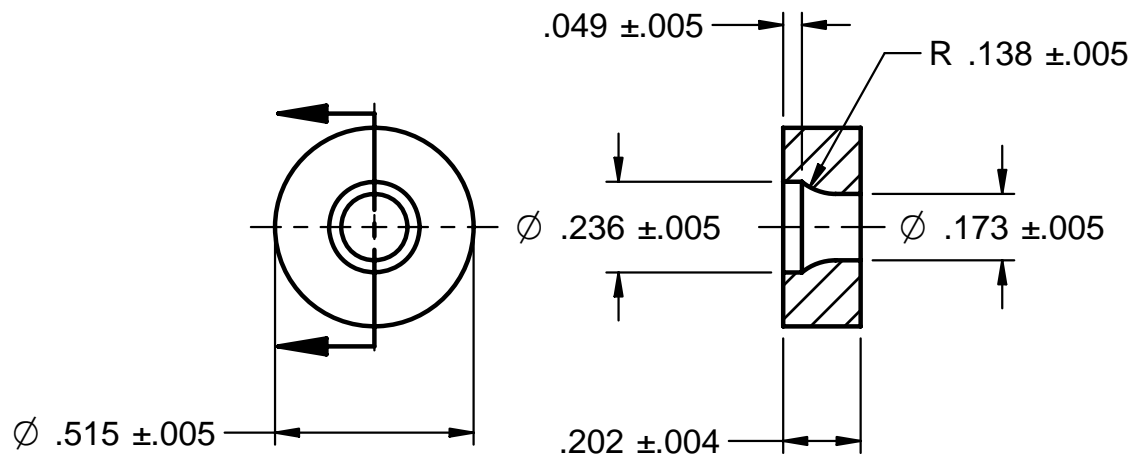
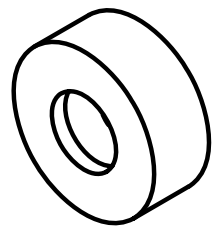
RNRW42.5-M3.5



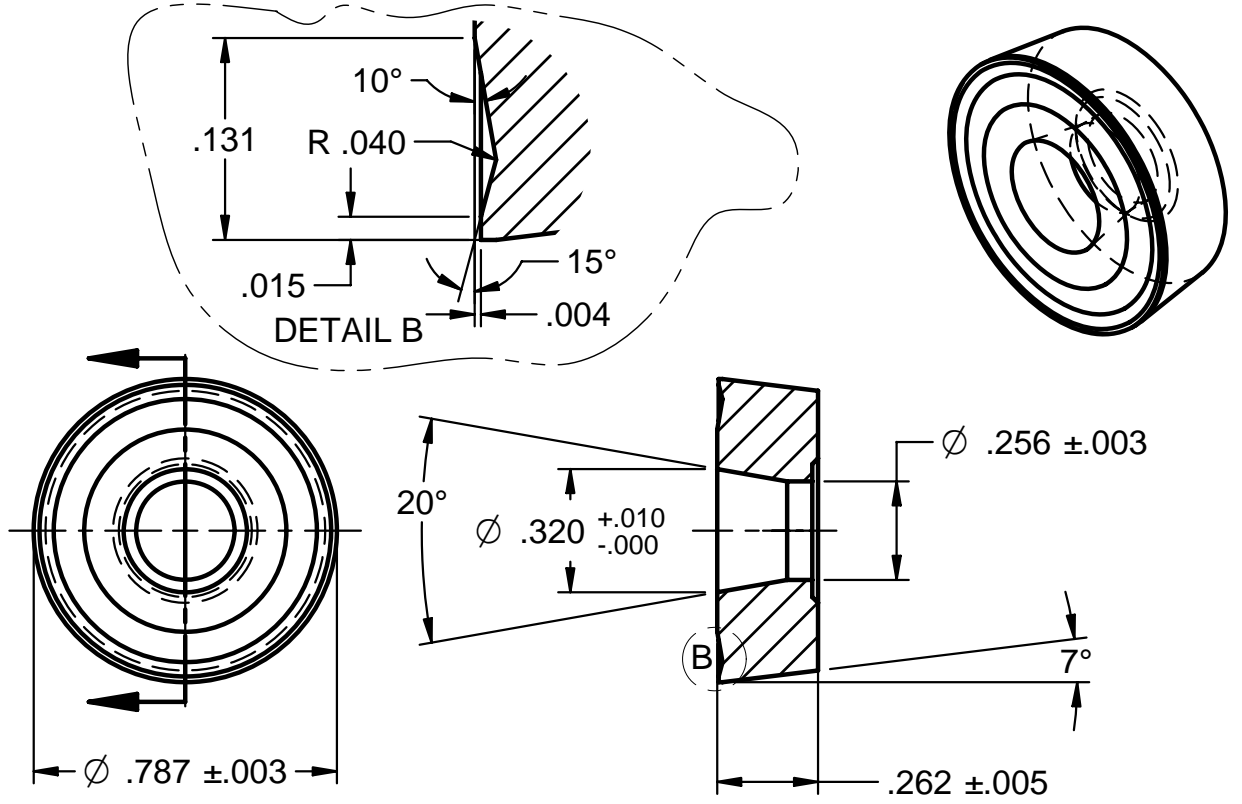
Tungste-Met

Style

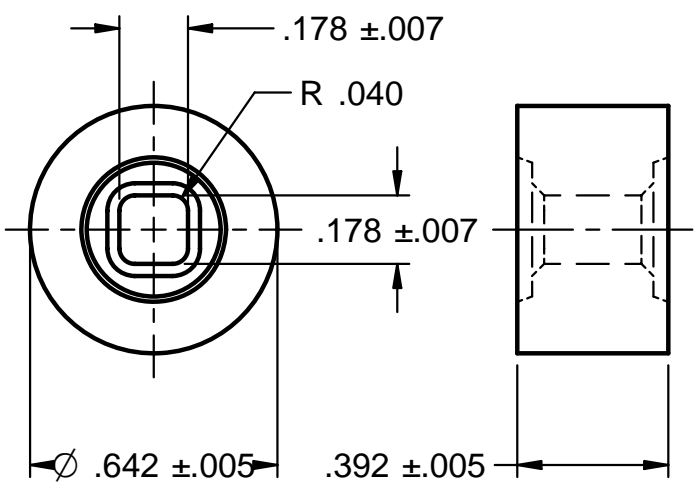
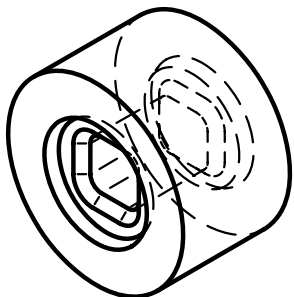
RNRW43-M3.5



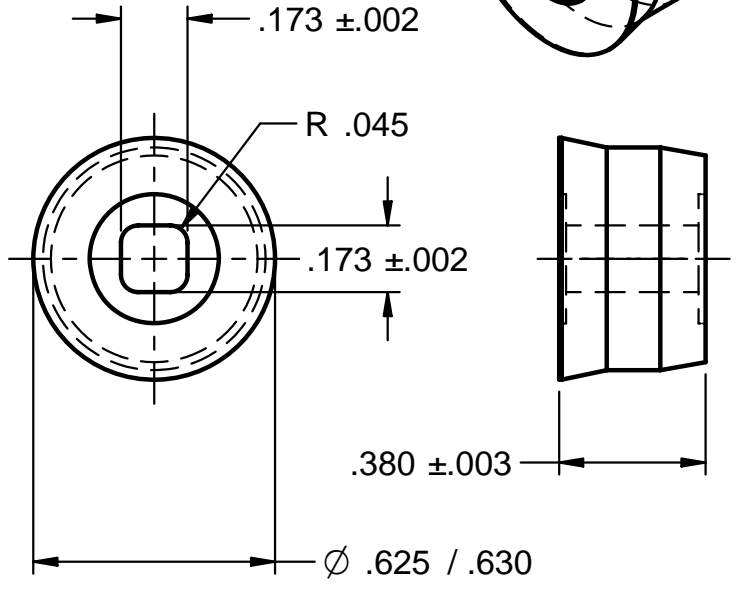
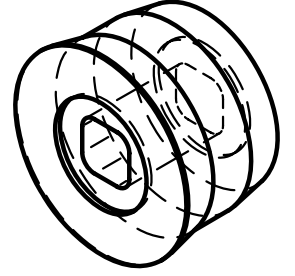
Tungste-Met Style RCMX2006MO (A-2023-A)



Tungste-Met Style WTS-10 / WTT-10



WTS-10



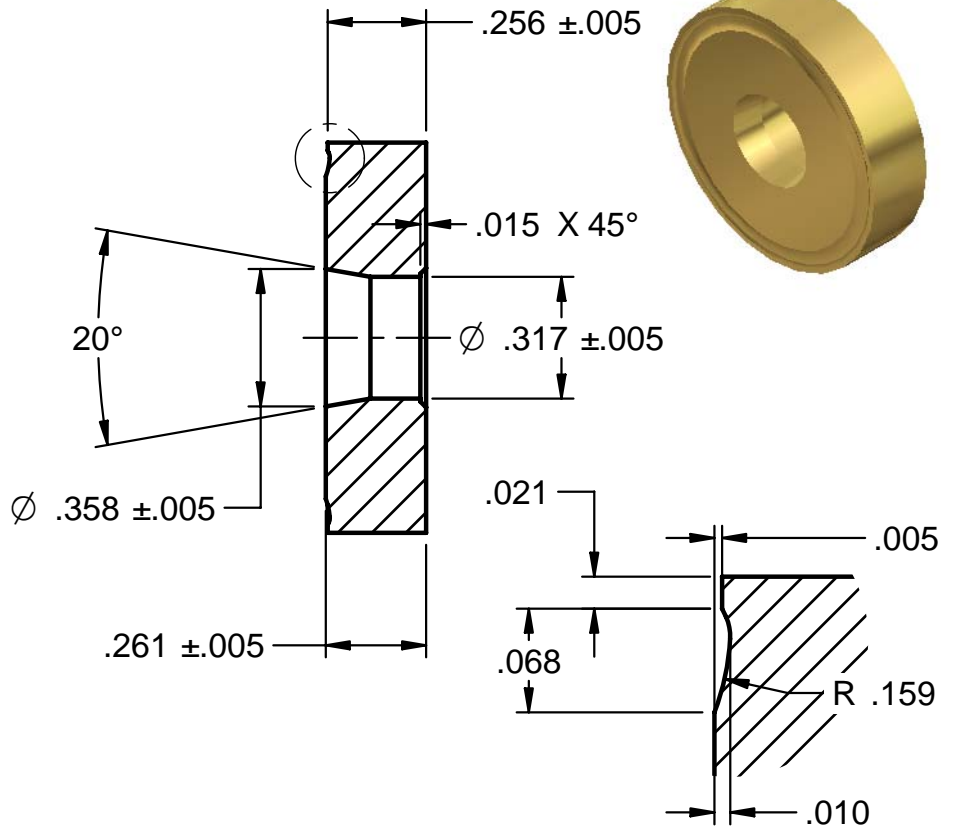
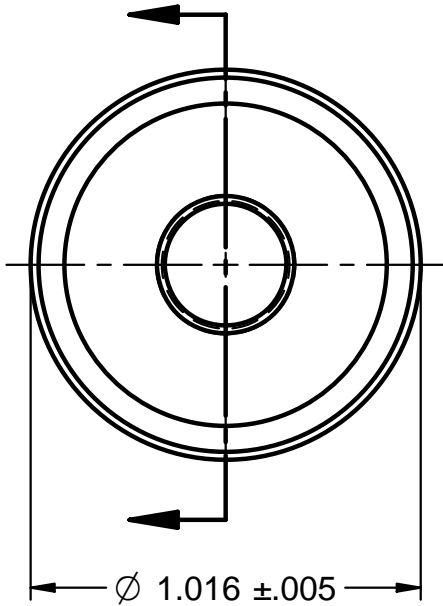
WTT-10

Tungste-Met

Style **RCMM84**

D-16433-P5

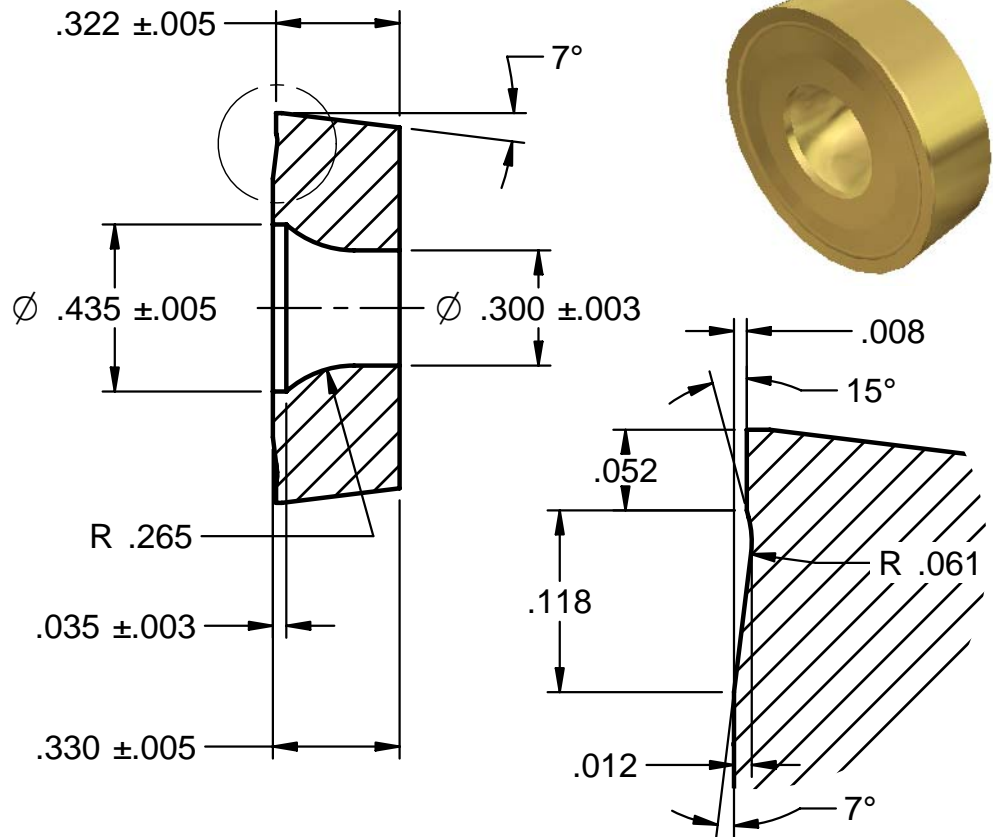
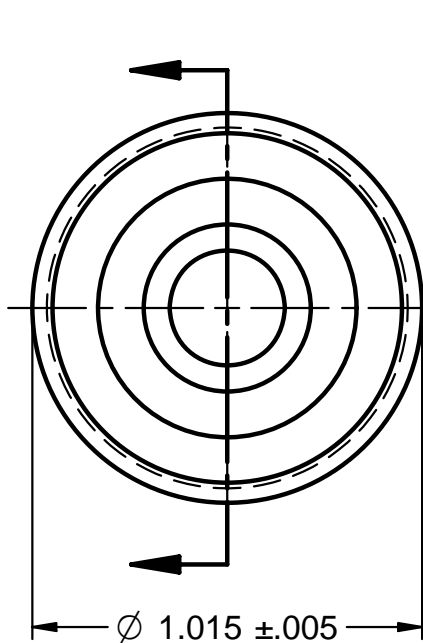
MA70111



Tungste-Met

Style **RCRT85**

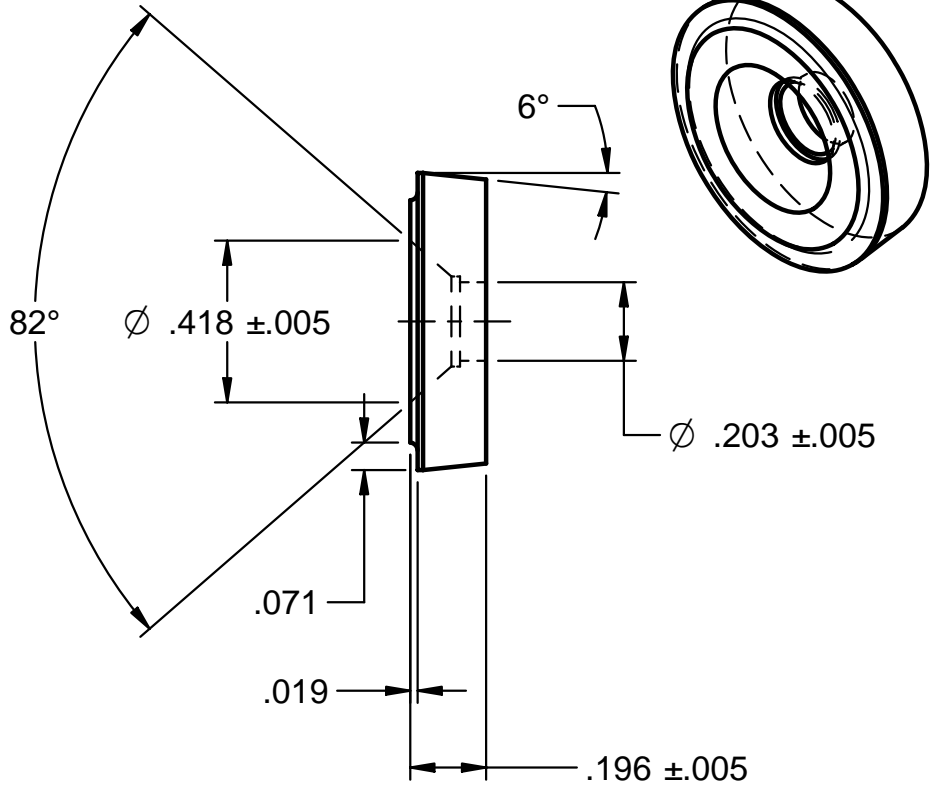
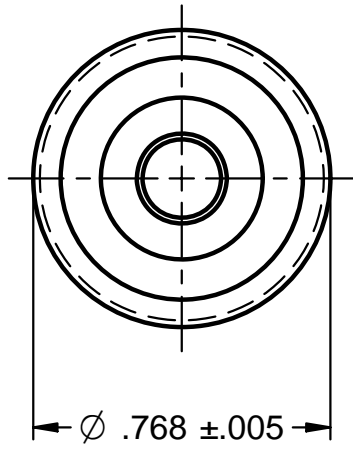
D-07640-P1



Tungste-Met

Style

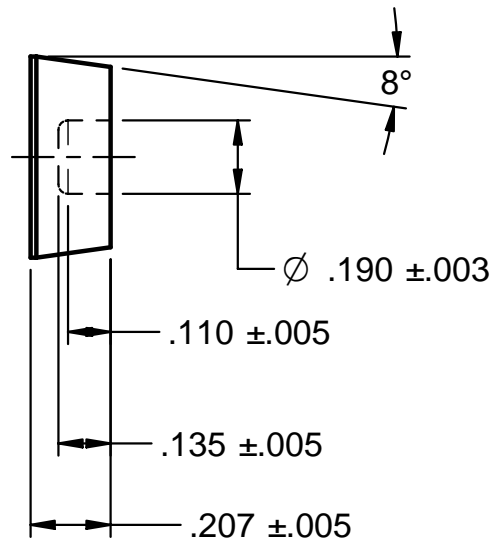
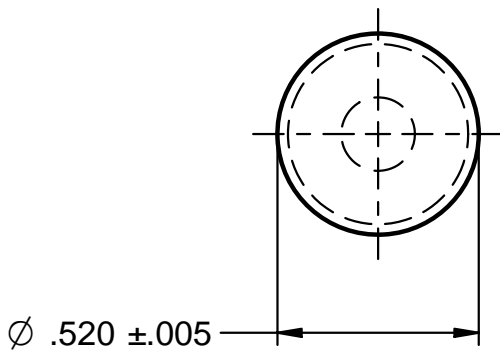
RCRH63



Tungste-Met

Style

MA-70332

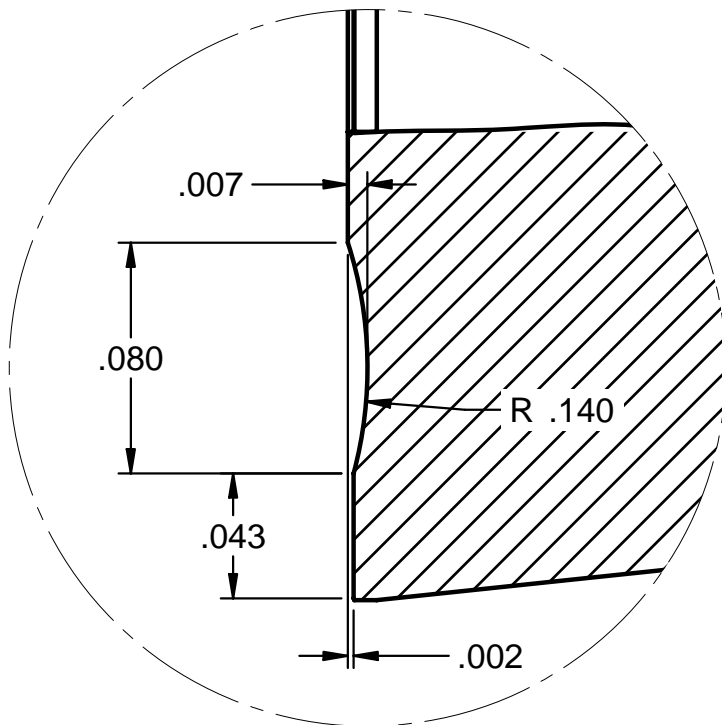
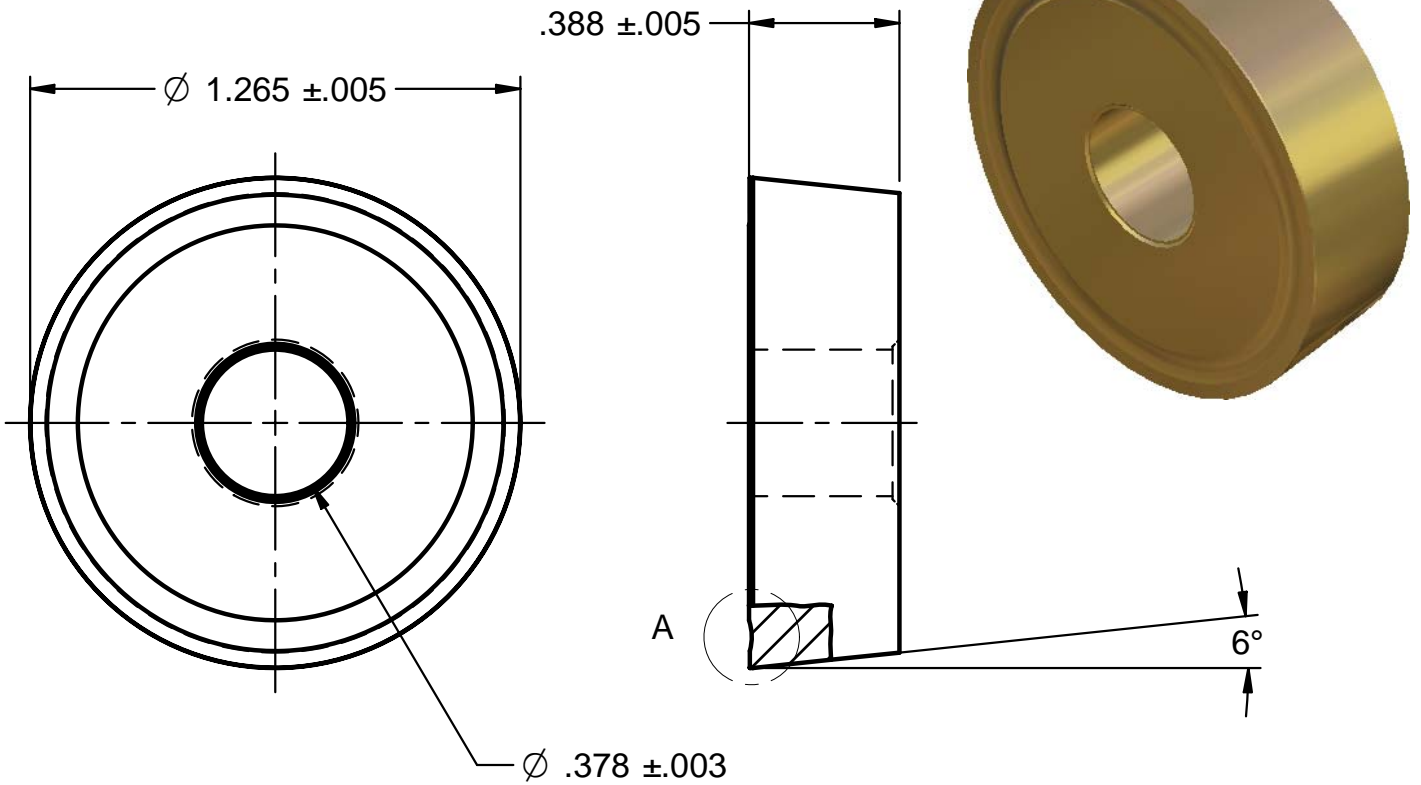


Tungste-Met

Style A-1922-A

RCRM106

Note: Grind Stock on O.D. and Bottom Only.



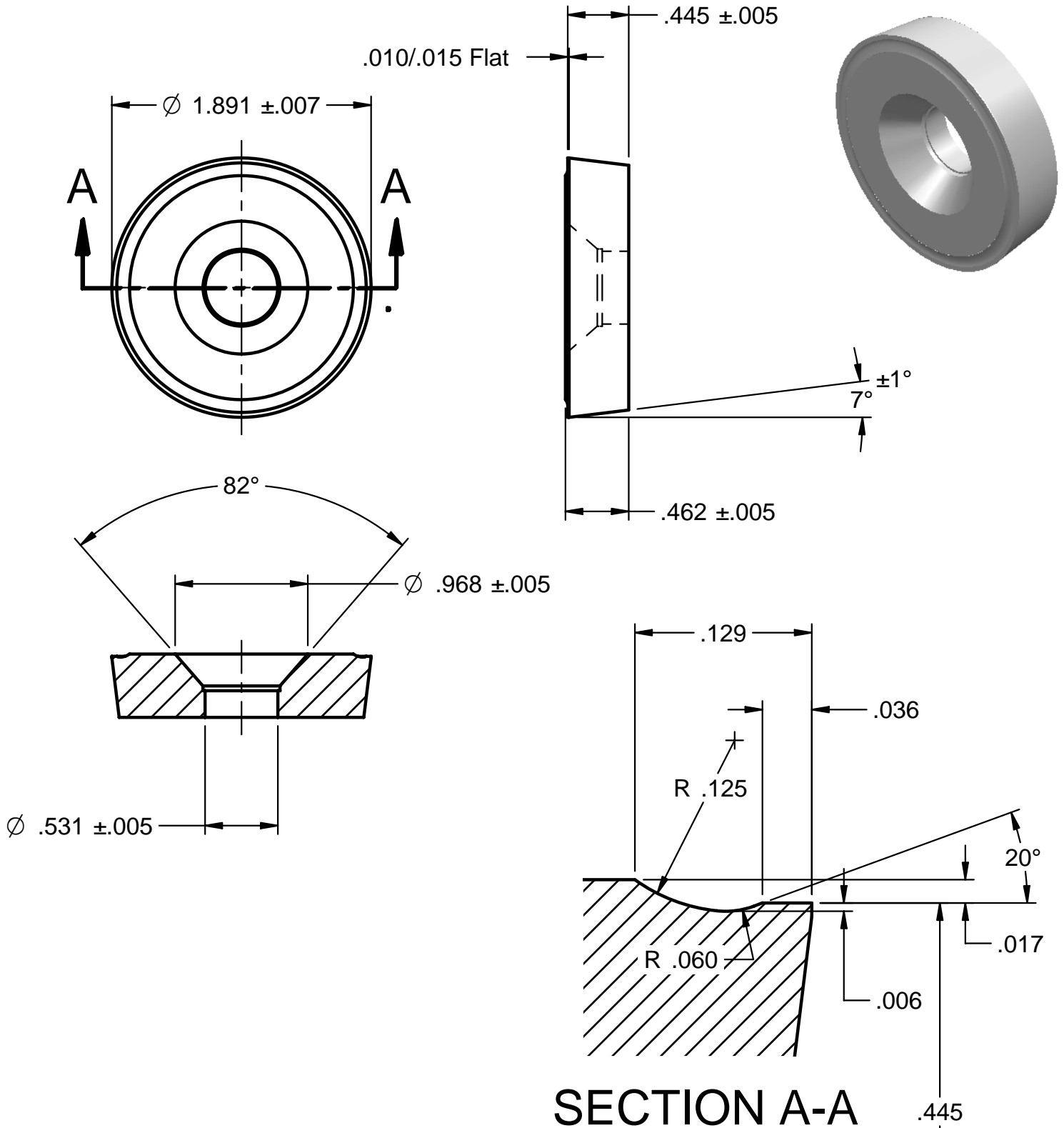
DETAIL A

Tungste-Met

Style MA-71871

RCRH157

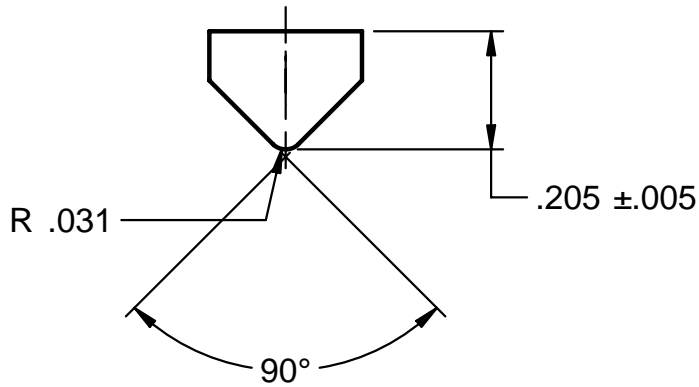
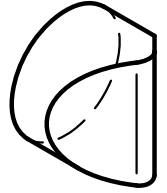
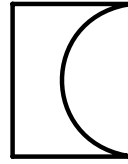
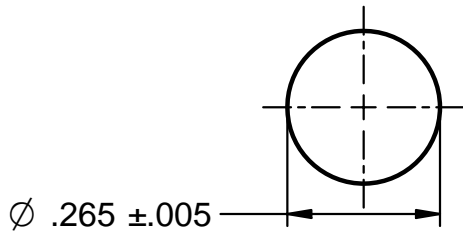
Note: Grind Stock on O.D. and Bottom Only.



Tungste-Met

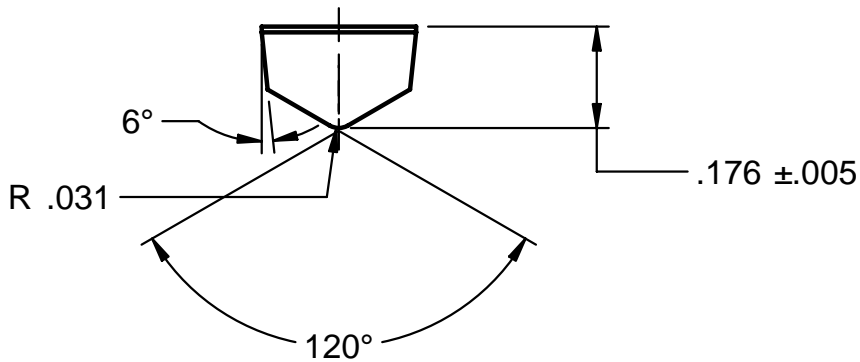
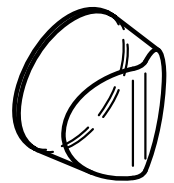
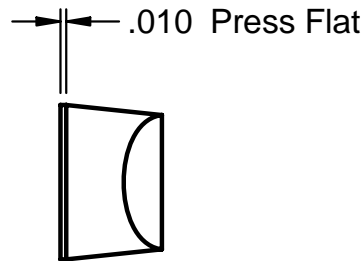
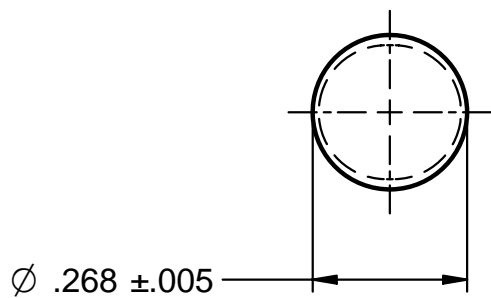
Style LX-0645-2

RNRX2-90°



Tungste-Met

Style RCRX2-120°

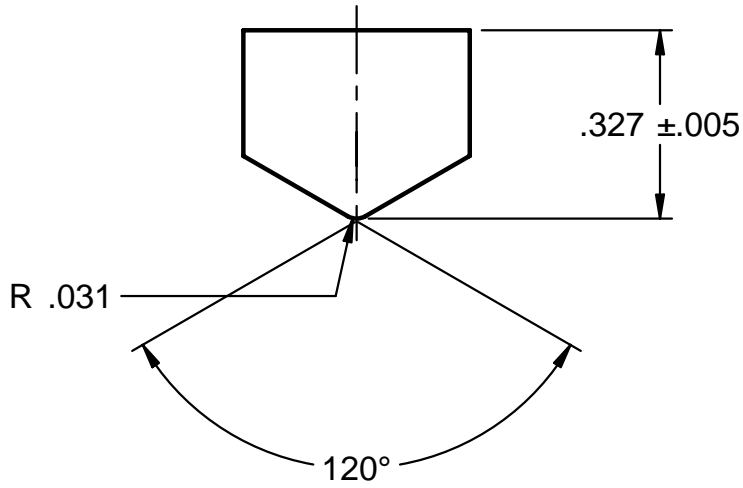
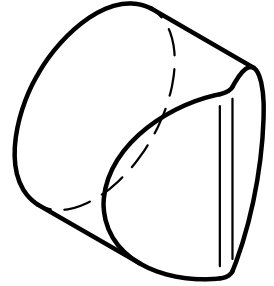
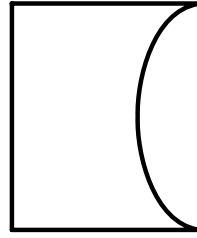
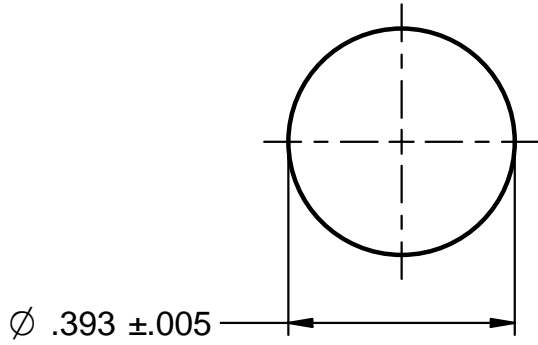


Tungste-Met

Style

LX-0645-1

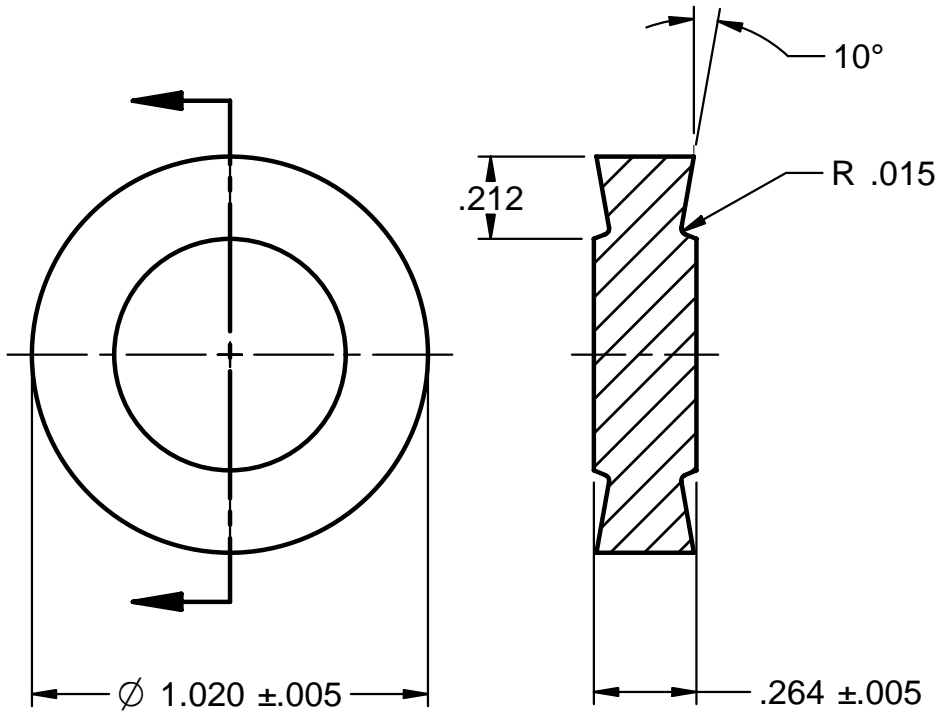
RNRX3-120°



Tungste-Met

Style

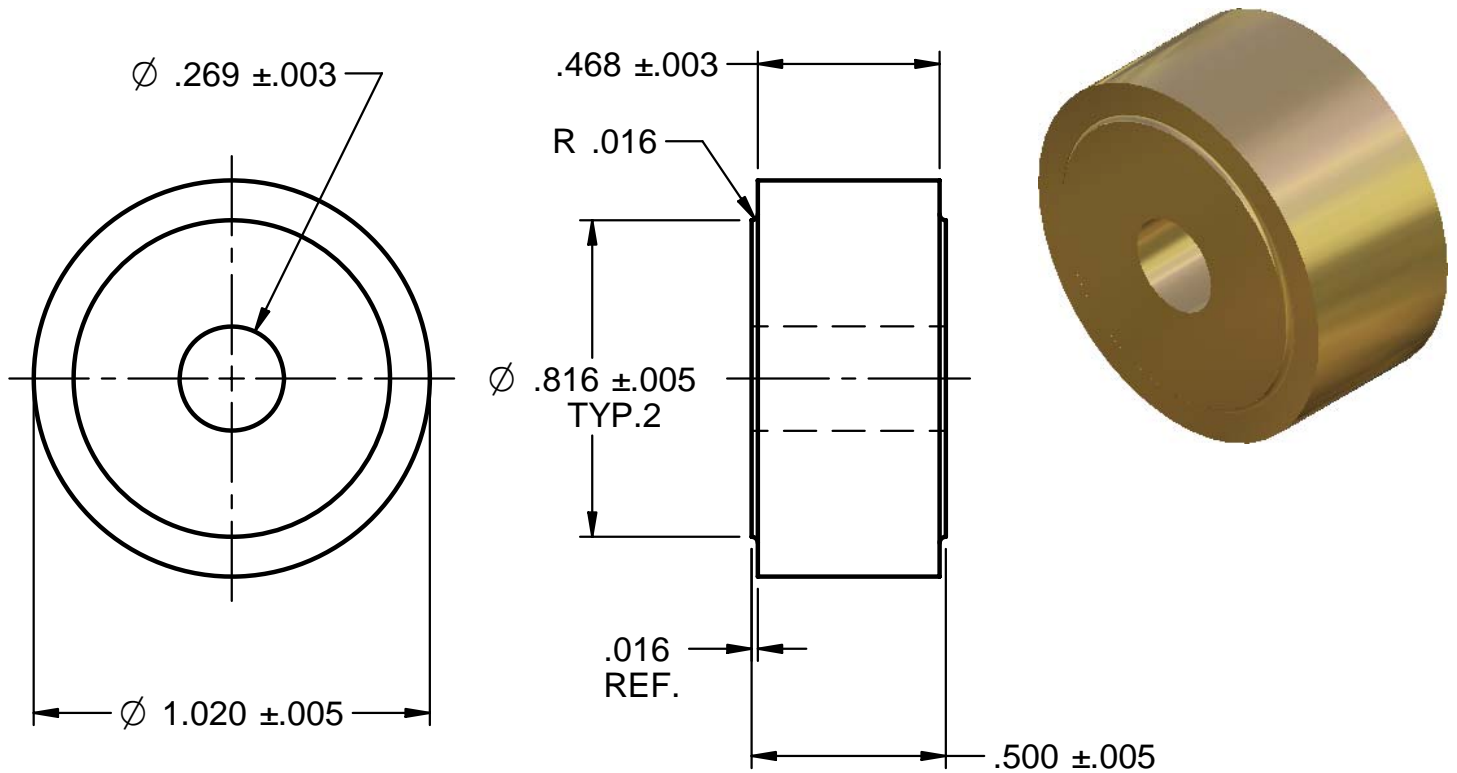
A-0098-B



Tungste-Met

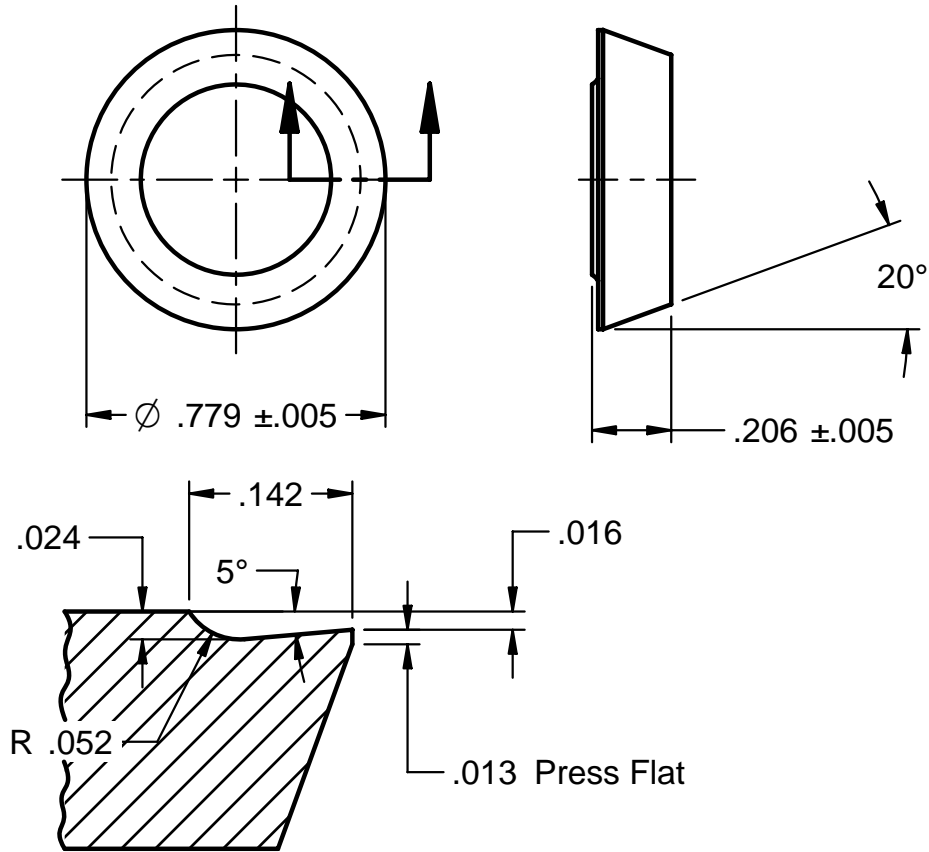
Style

A-0844-D



Tungste-Met

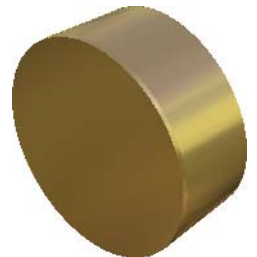
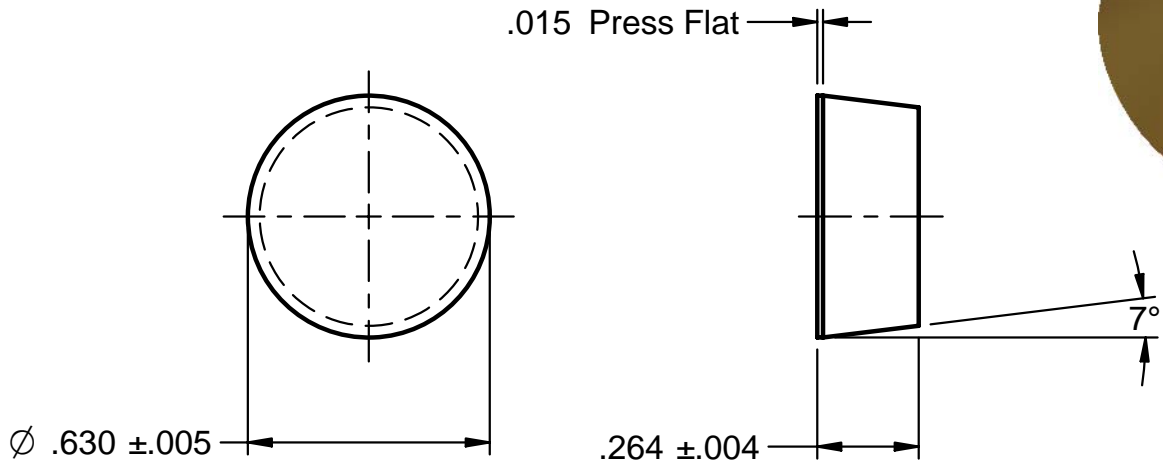
Style A-2074-A



Tungste-Met

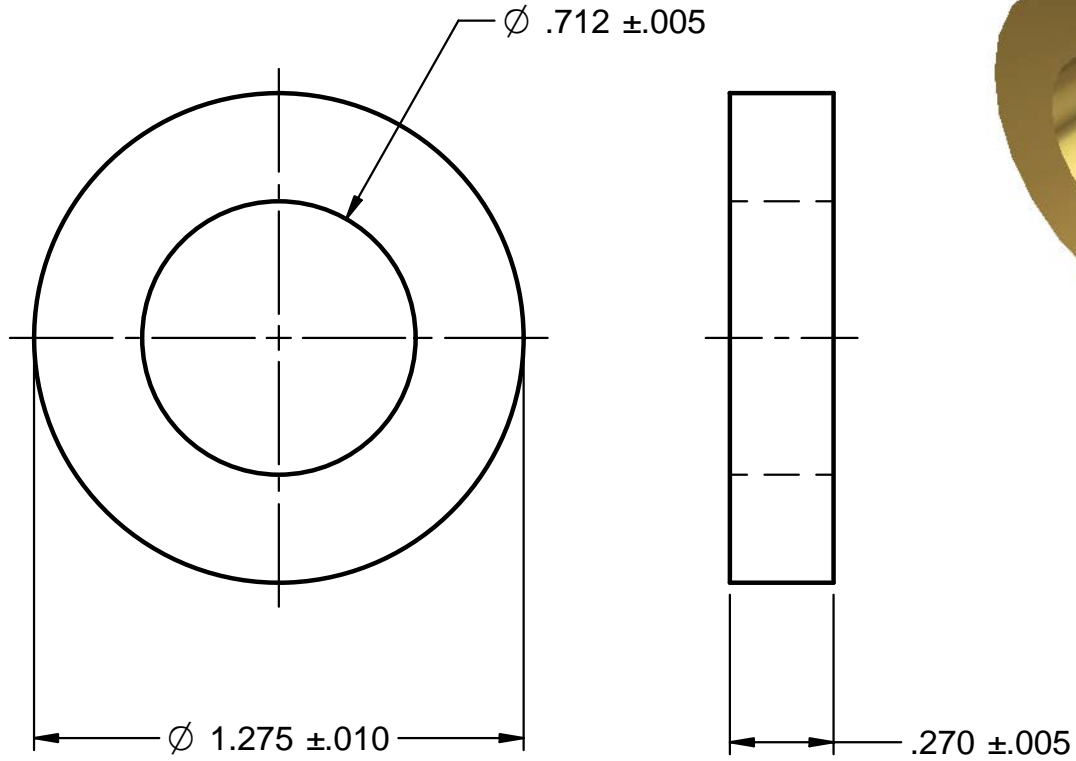
Style R-15744E-36

RCR-Style



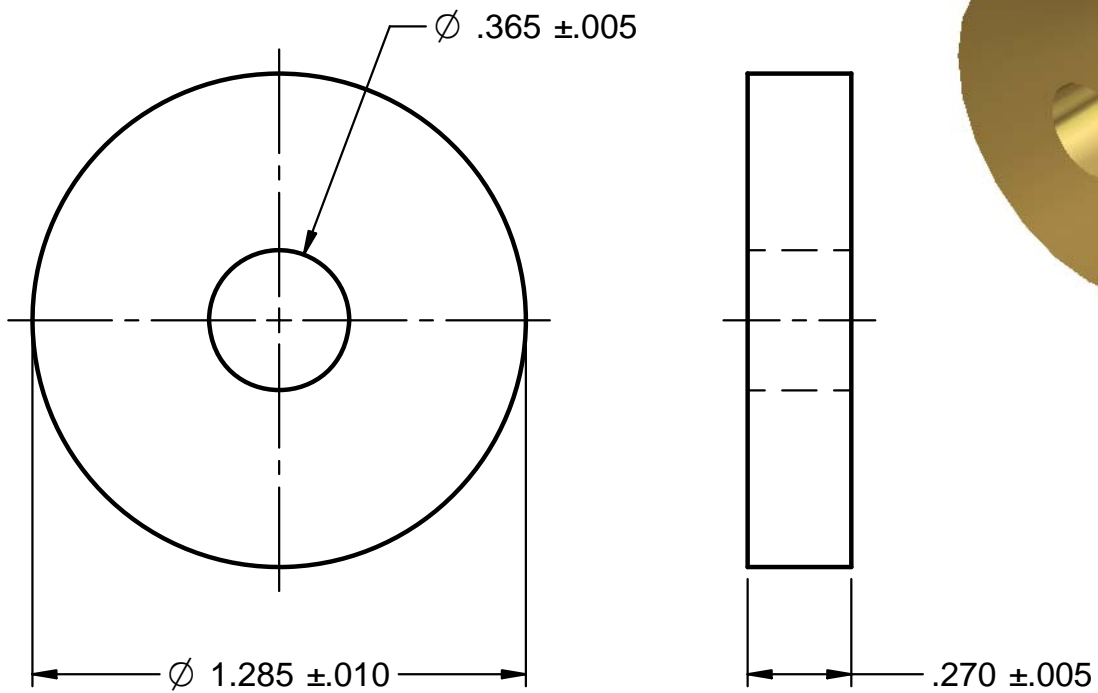
Tungste-Met

Style RNRA104.712HOLE



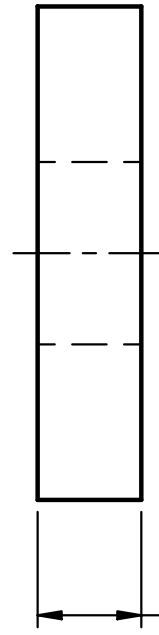
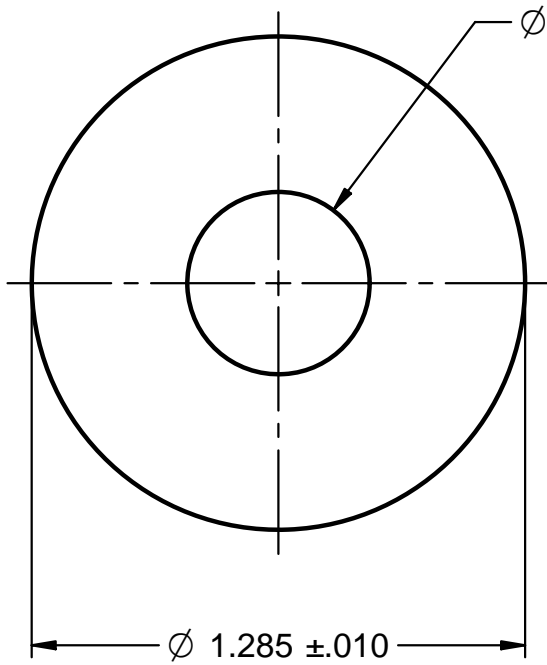
Tungste-Met

Style RNRA104.365HOLE



Tungste-Met

Style RNRA104.475HOLE



Tungste-Met

Style RNSA84.240HOLE

