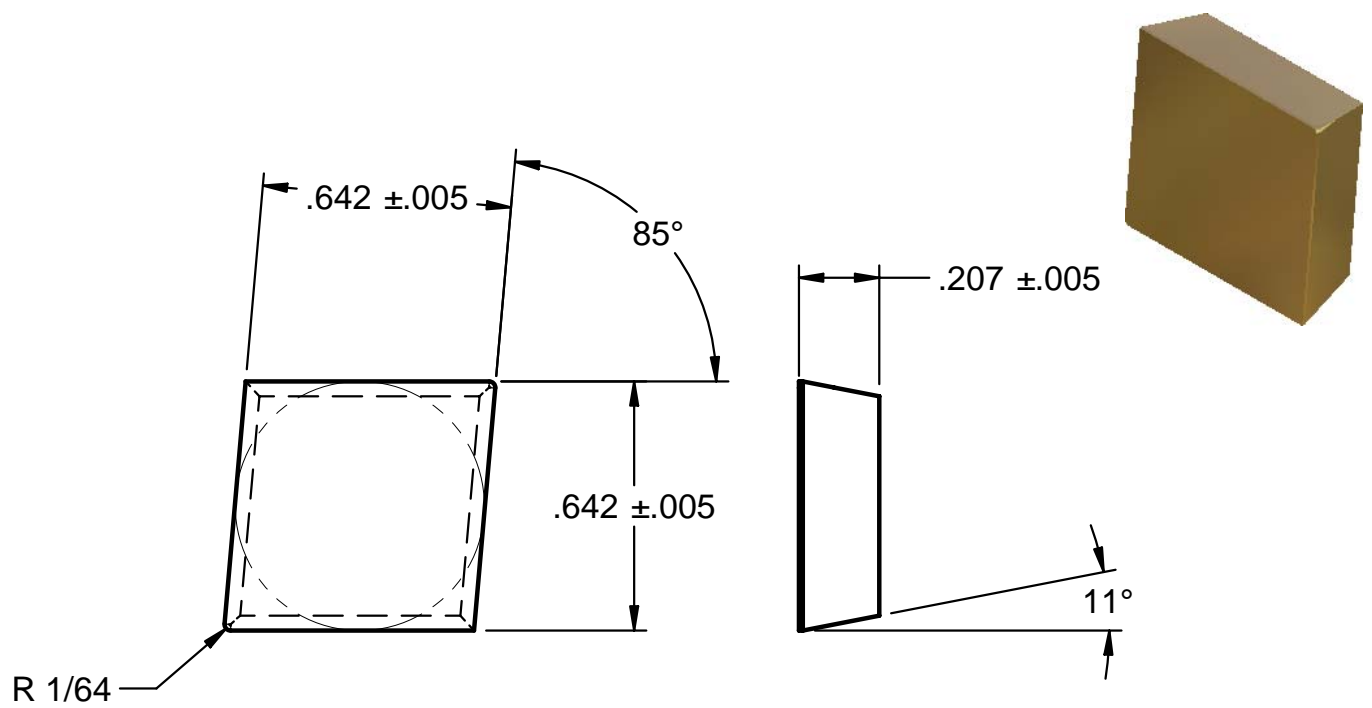


Tungste-Met

Style R-16227

85° Diamond



Tungste-Met

Style A-2838-B-11

85° Diamond

