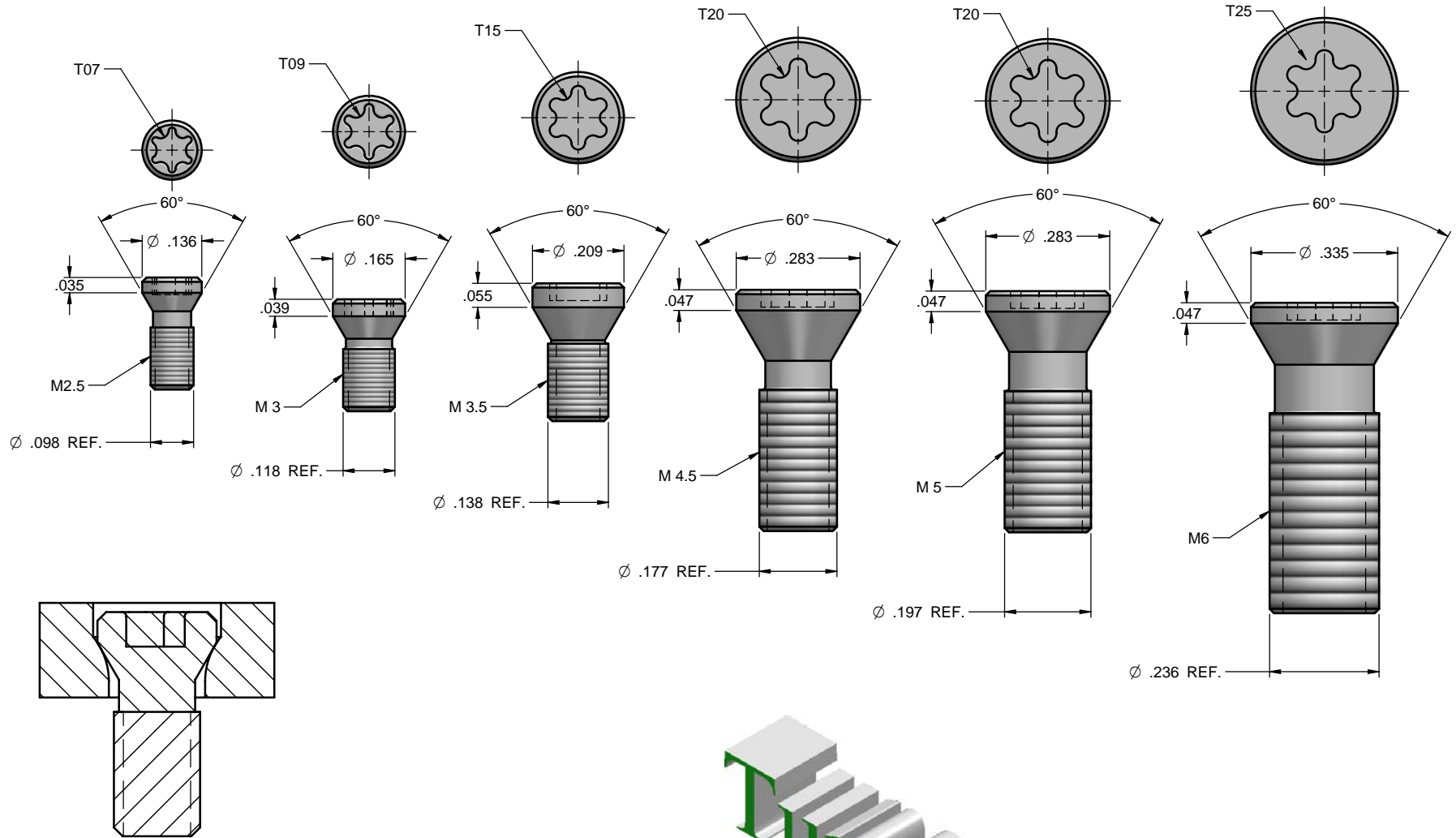
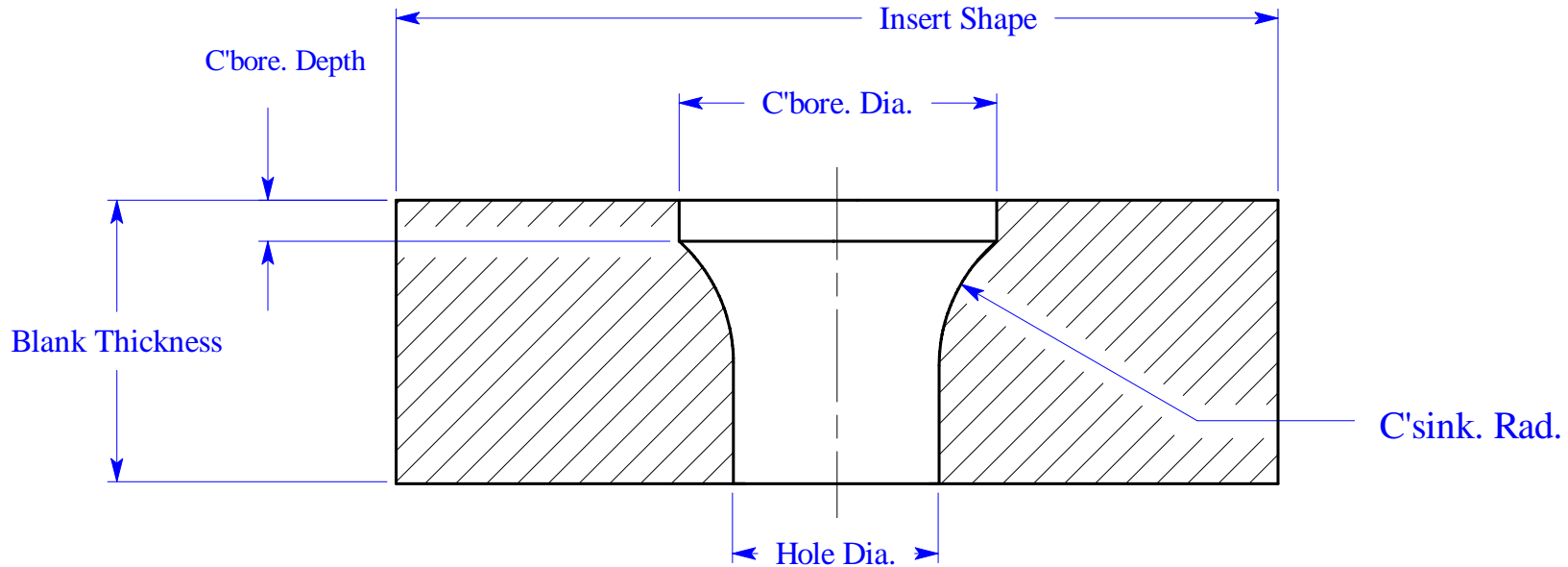


METRIC SCREWS for ISO STYLE INSERTS

1 of 2



Tungste-Met, Inc.



DETAIL FOR ISO STYLE HOLES, ALL SIZES ARE FOR AN UNGROUND BLANK

For Insert Shape	C,D,R,S,T,V	.156 (5/32) I.C.	.219 (7/32) I.C.	.250 (1/4) I.C.	.312 (5/16) I.C.	.375 (3/8) I.C.	.500 (1/2) I.C.	.625 (5/8) I.C.	.750 (3/4) I.C.
	R	--	--	6mm	8mm	10/12mm	--	--	--
Hole Dia.		.087	.100	.110	.134	.173	.216	.216	.256
C'bore. Dia.		.112	.130	.146	.177	.236	.295	.295	.354
C'bore. Depth		.034	.039	.039	.031	.046	.060	.060	.070
C'sink. Rad.		.060	.079	.079	.098	.138	.177	.177	.196
Thread of Screw			M2.2	M2.5	M3	M3.5	M4.5 / M5	M4.5 / M5	M6

Tungste-Met Inc.

Div. of Remet Products
Mining & Metal Cutting

609 Jones Ave.
Oak Hill, WV 25901