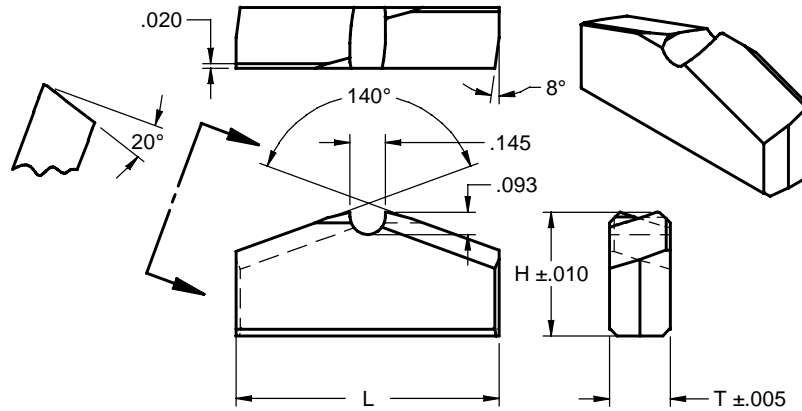


Tungste-Met

Style

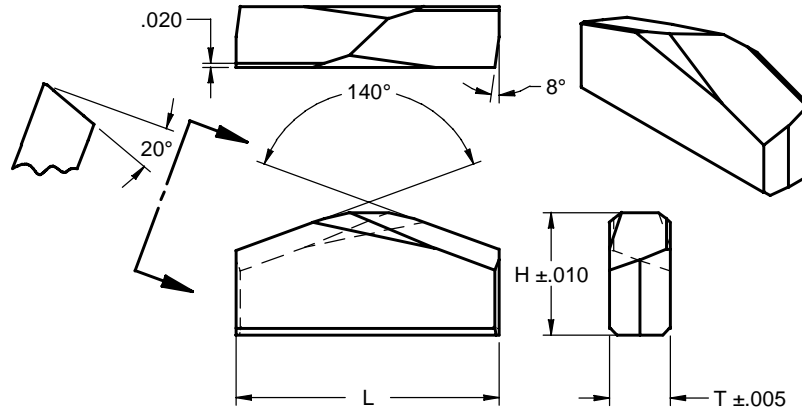
RD-SAN



Insert	L	H	T				Notes
RD1-.400H.250THK	1.018-1.030	.400	.250				
RD1-1/32.400H.250THK	1.042/1.062	.400	.250				

Style

RD-MOD

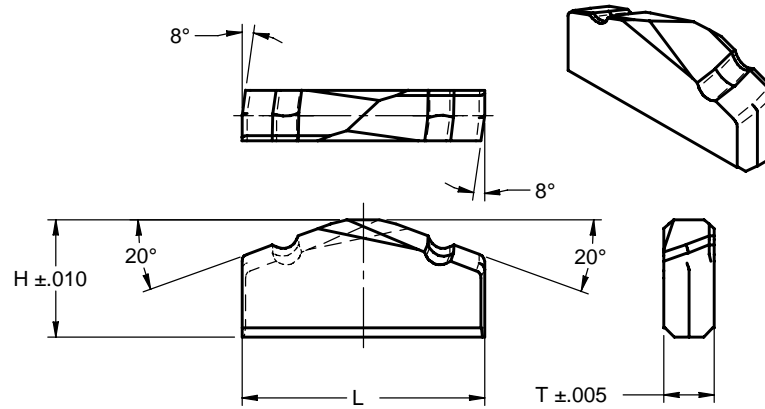


Insert	L	H	T				Notes
RD1-.400H.250THK	1.018-1.030	.400	.250				
RD1-1/32.400H.250THK	1.042/1.062	.400	.250				

Tungste-Met

Style

RD1-.250THK-BH



Insert	L	H	T				Notes
RD1-.400H.250THK-BH	1.015/1.030	.400	.250				

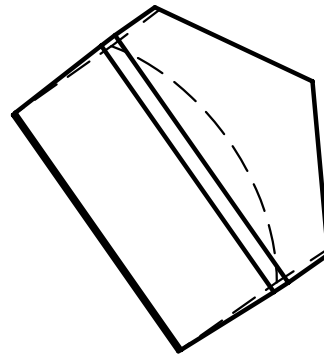
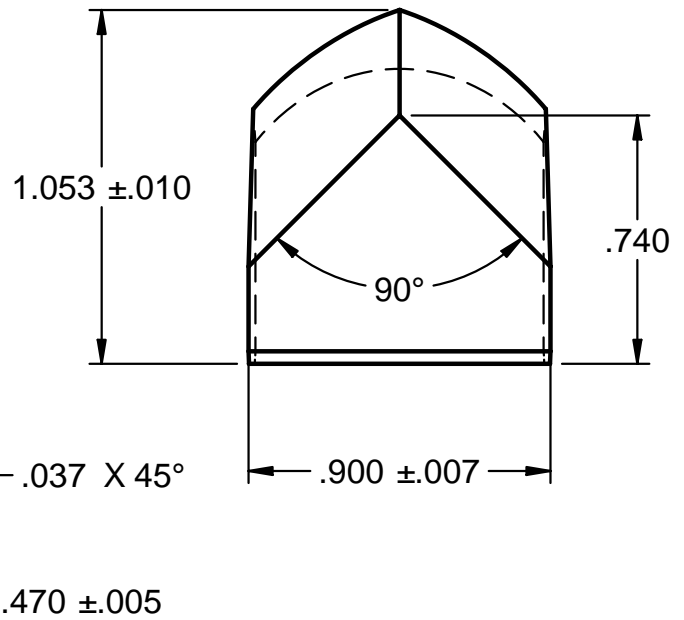
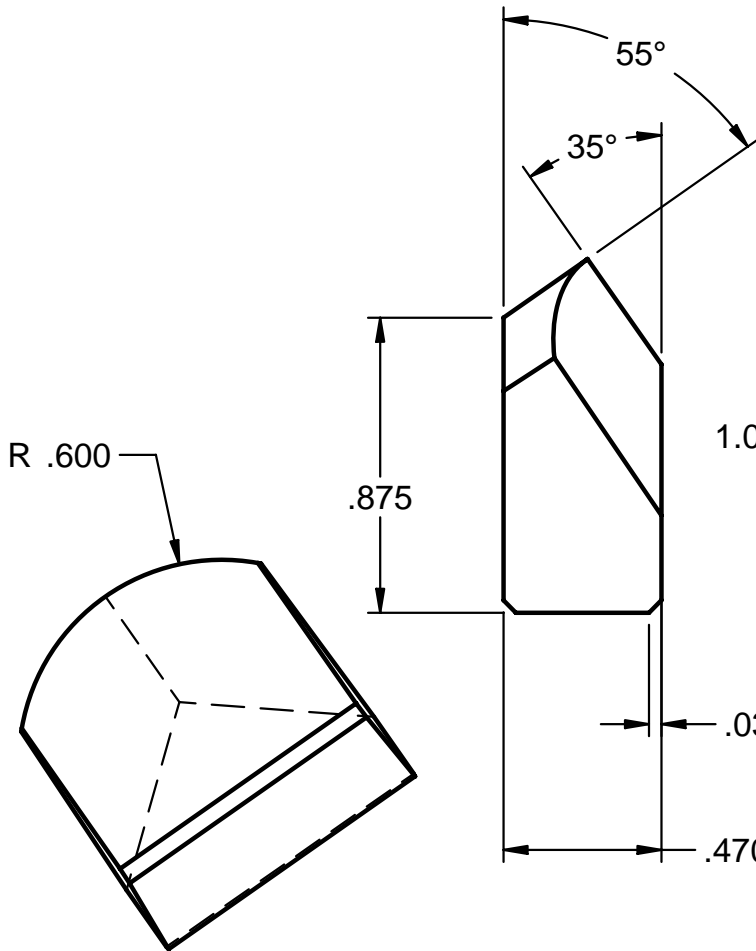
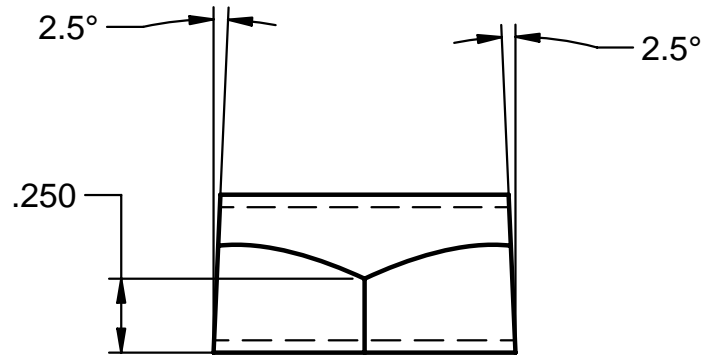
Style

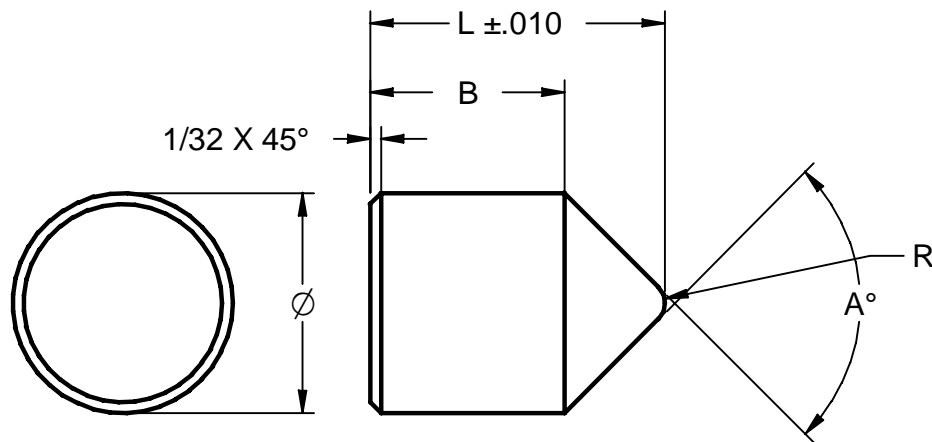
Insert							Notes

Tungste-Met

Style

FECON BIT



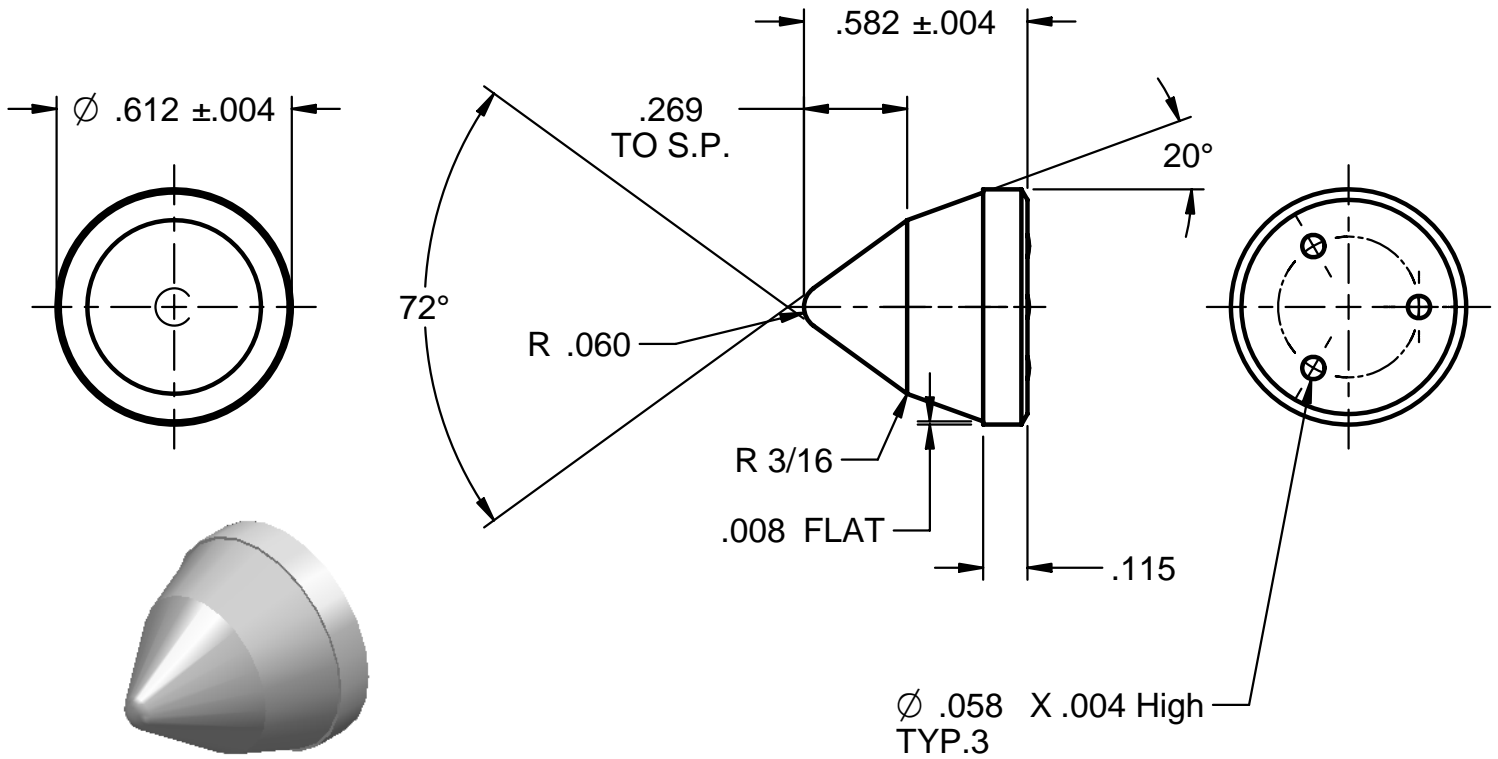


Insert	\varnothing	A°	LG	B	R	VR No	Notes
CP156-100-315LG	.153/.159	100°	.315	.254	1/64	-	
CP255-60-680LG	.255/.262	60°	.680	.498	1/32	R6E	
CP255-75-701LG	.255/.262	75°	.701	.562	1/32	R7E	
CP270-50-774LG	.268/.275	50°	.774	.536	3/32	-	
CP300-60-680LG	.300/.307	60°	.680	.455	1/32	R6S	
CP300-75-691LG	.300/.307	75°	.691	.517	1/32	R7S	
CP300-90-670LG	.300/.307	90°	.670	.527	1/64	R9S	
CP315-60-735LG	.315/.322	60°	.735	.490	1/32	R6B	
CP315-75-690LG	.315/.322	75°	.690	.511	1/32	R7B	
CP315-90-647LG	.315/.322	90°	.647	.495	1/64	R9B	
CP328-60-720LG	.328/.335	60°	.720	.472	1/32	R6A	
CP328-67-697LG	.328/.335	67.5°	.697	.473	.022	R67A	
CP349-60-734LG	.349/.356	60°	.734	.464	1/32	R6G	
CP349-67-702LG	.349/.356	67.5°	.702	.464	1/32	R67G	
CP349-75-672LG	.349/.356	75°	.672	.464	1/32	R7G	
CP349-90-632LG	.349/.356	90°	.632	.465	1/64	R9G	
CP362-60-750LG	.362/.369	60°	.750	.471	1/32	R6	
CP362-67-716LG	.362/.369	67.5°	.716	.472	1/32	R67	
CP362-75-688LG	.362/.369	75°	.688	.472	1/32	R7	
CP362-90-688LG	.362/.369	90°	.641	.470	1/64	R9	
CP408-75-720LG	.408/.415	75°	.720	.480	1/32	R7J	
CP438-75-860LG	.438/.445	75°	.860	.593	1/32	R73	
CP476-80-760LG	.472/.480	80°	.760	.520	.070	-	
CP485-75-950LG	.458/.492	75°	.950	.653	1/32	R74	
CP490-80-825LG	.485/.495	80°	.825	.580	.070	-	

Tungste-Met

Style CT612-72-582LG

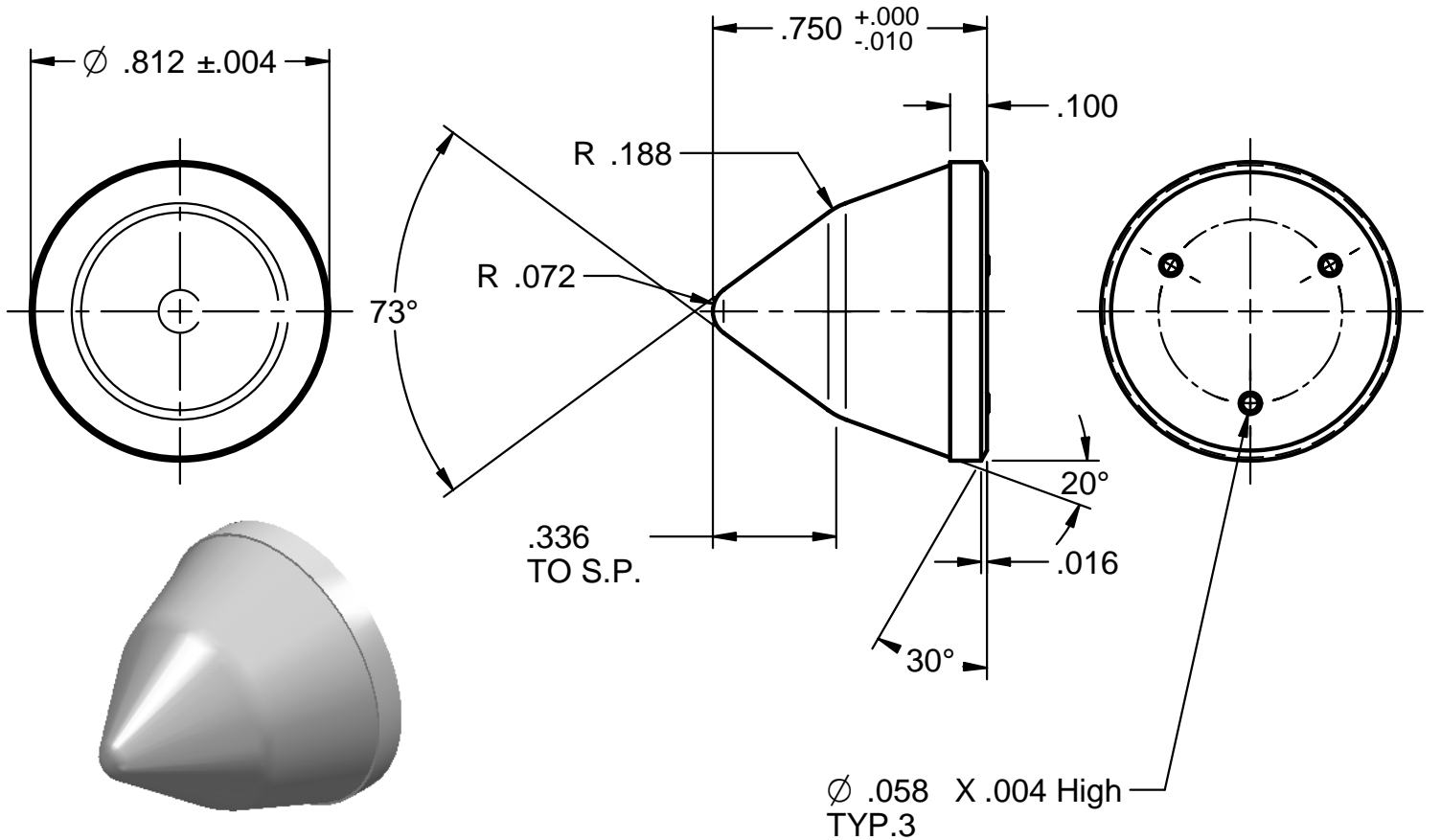
Cap Tip



Tungste-Met

Style CT812-73-750LG

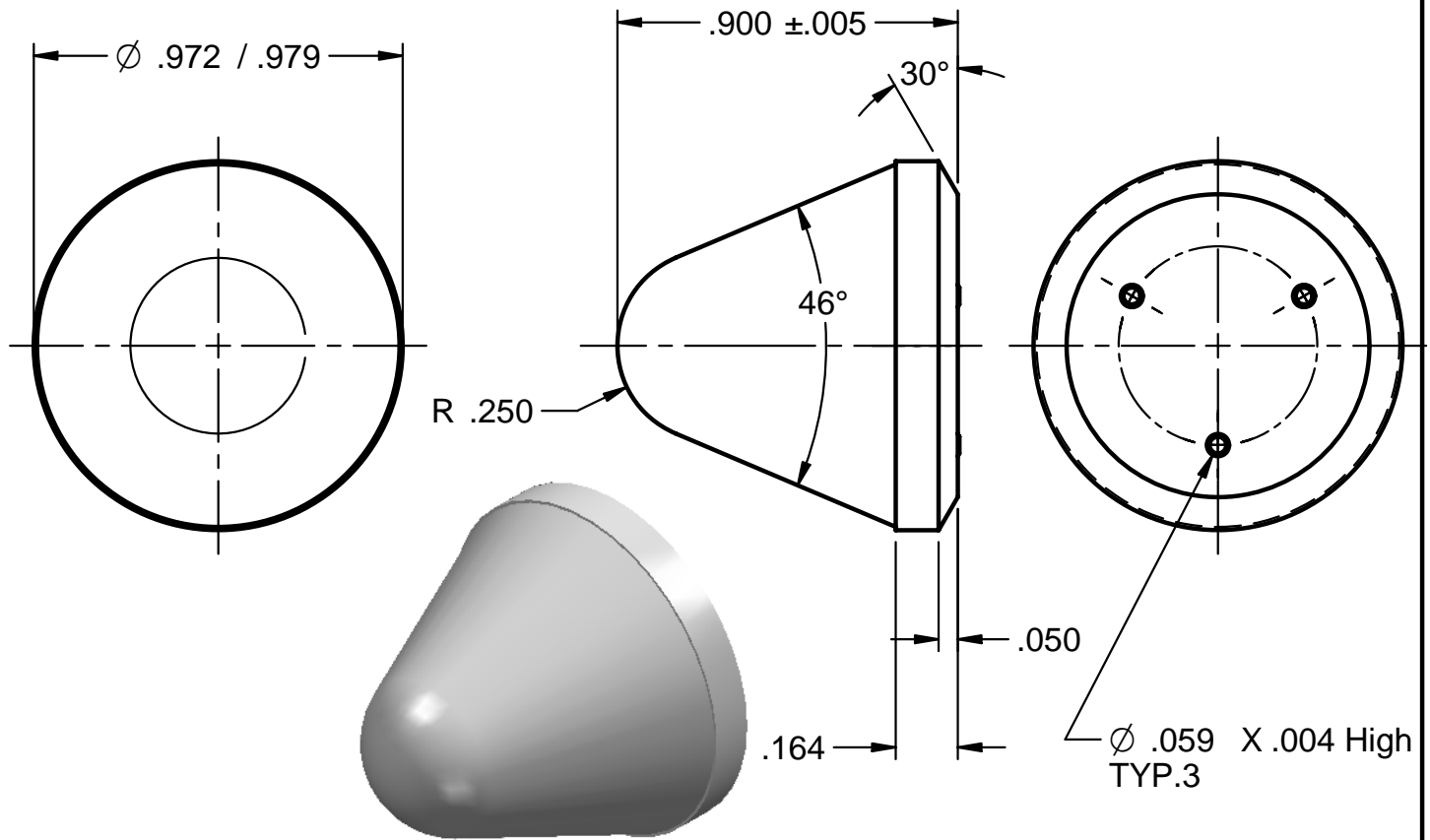
Cap Tip



Tungste-Met

Style CT972-46-900LG

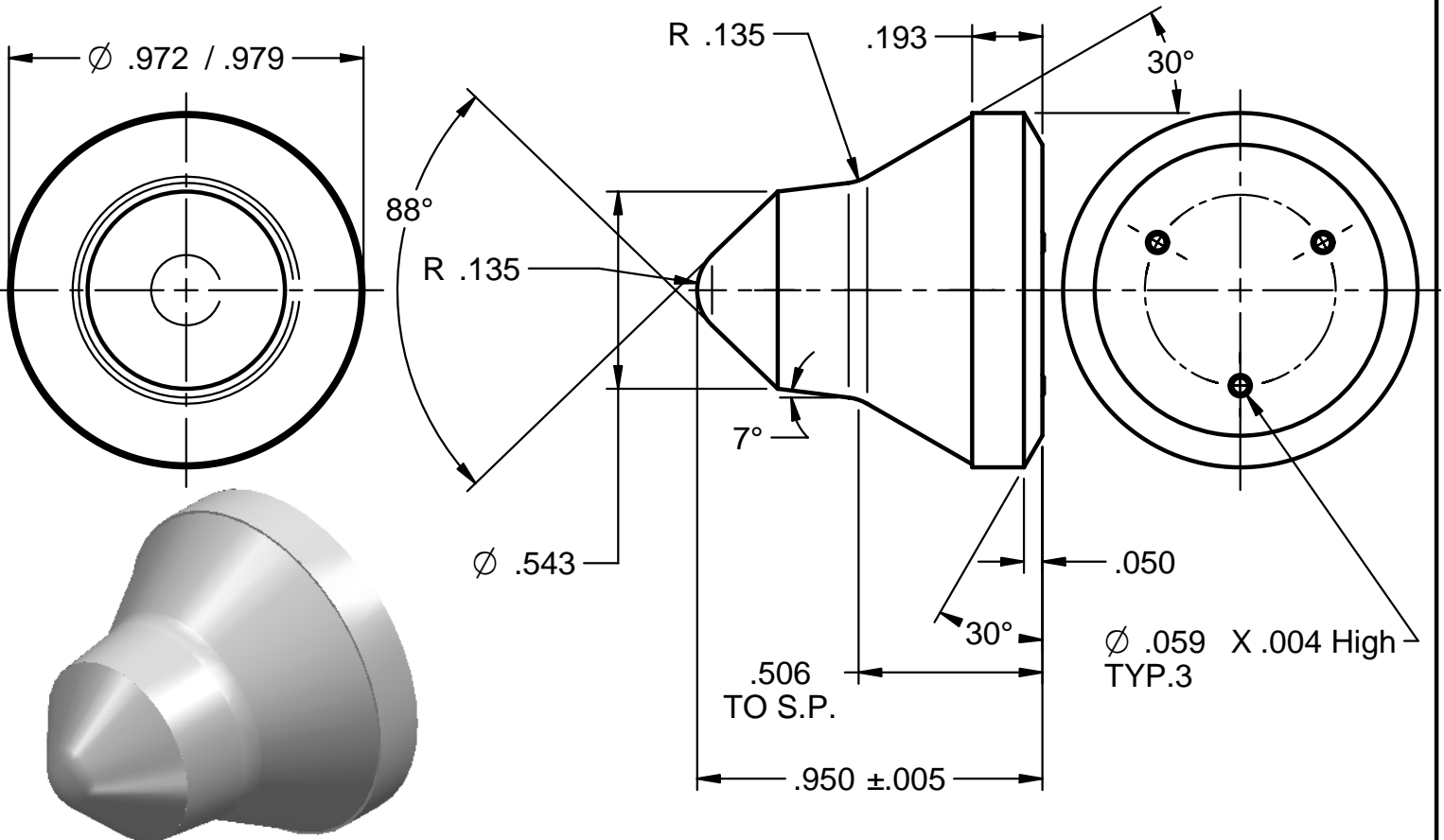
Cap Tip



Tungste-Met

Style CT972-88-950LG

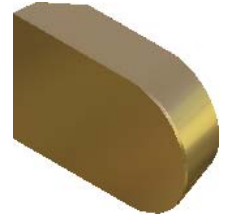
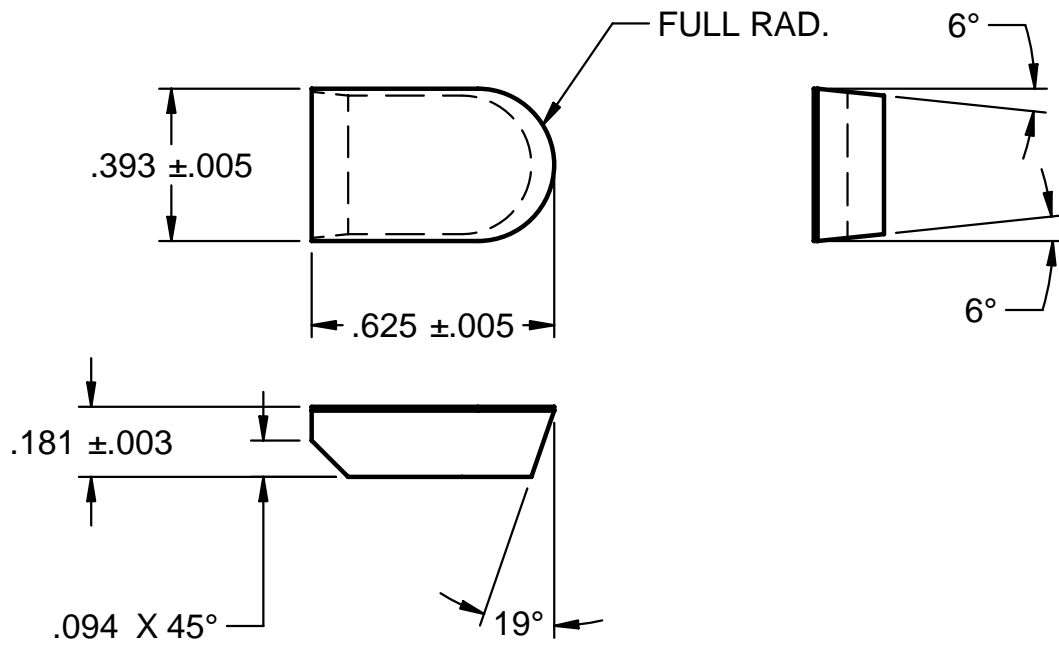
Cap Tip



Tungste-Met

Style M-20

Chain Cutter Bit Tip



Tungste-Met

Style M-30

Chain Cutter Bit Tip

