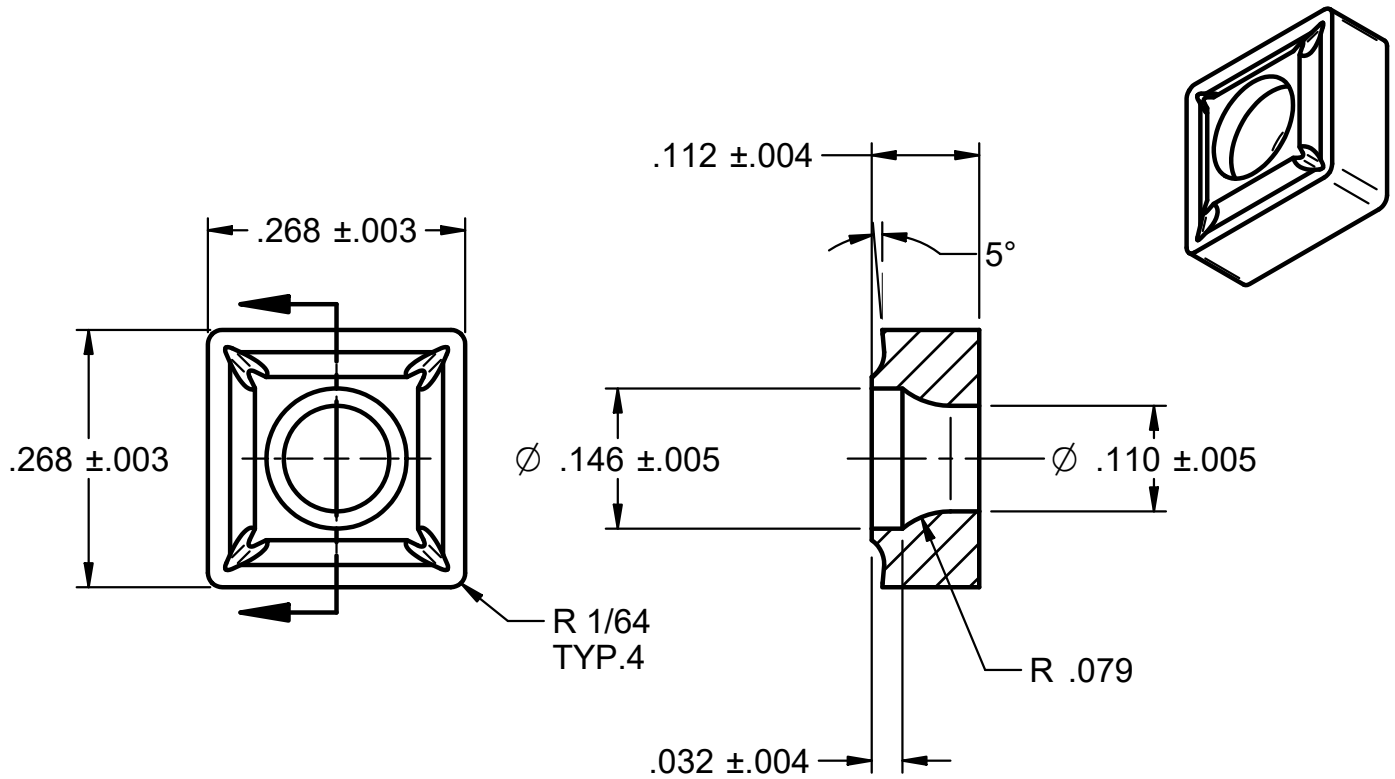
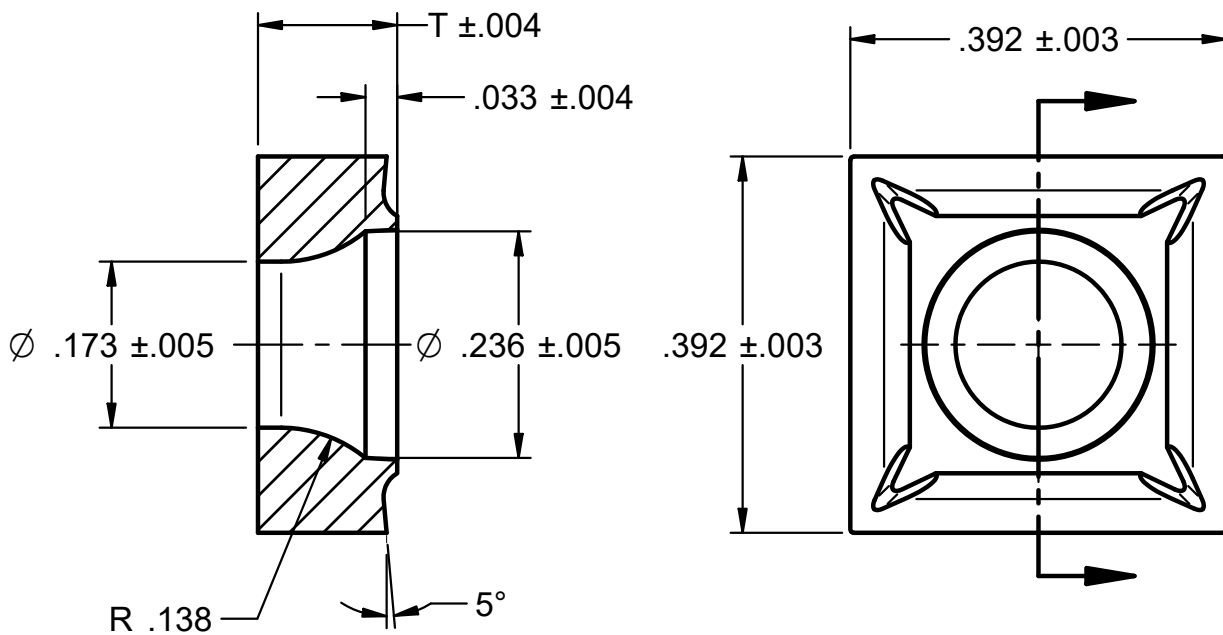


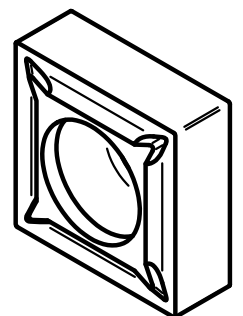
Tungste-Met Style SNRT21.50-1-2-TM



Tungste-Met Style SNRT3-0-1-2-TM



Style	T
SNRT320-1-2-TM	0.145
SNRT32.50-1-2-TM	0.176



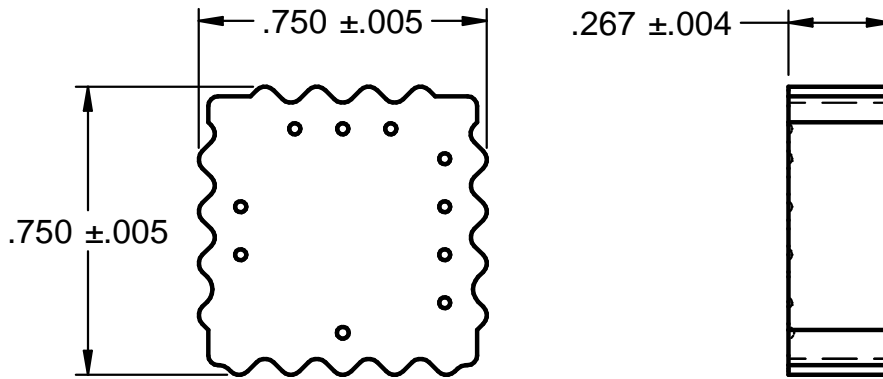
Tungste-Met

Style

4T75Q

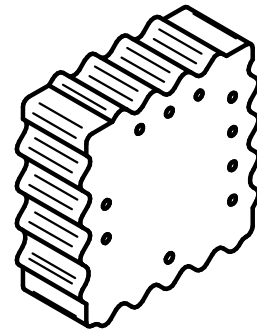
D-19577-P1 G58

NEGATIVE RAKE MILLING for top clamping systems



" NEW "

Rough Milling

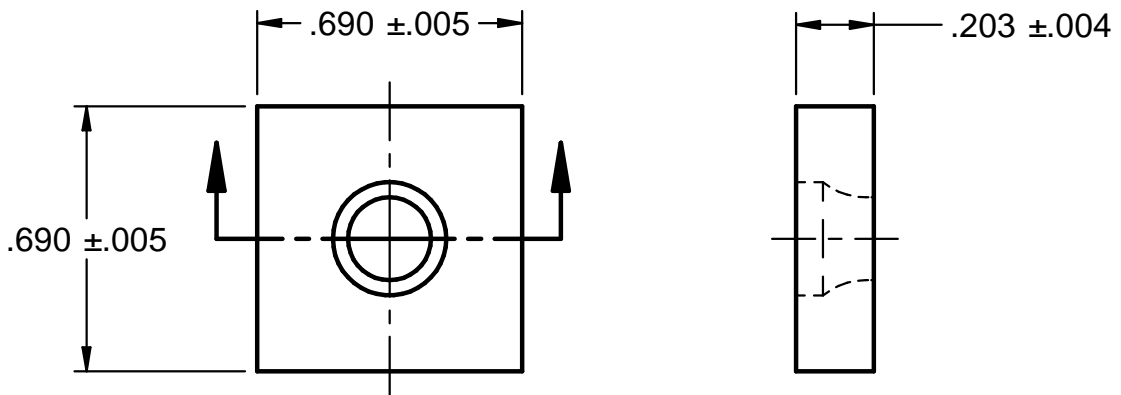


Tungste-Met

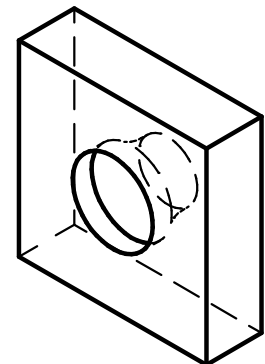
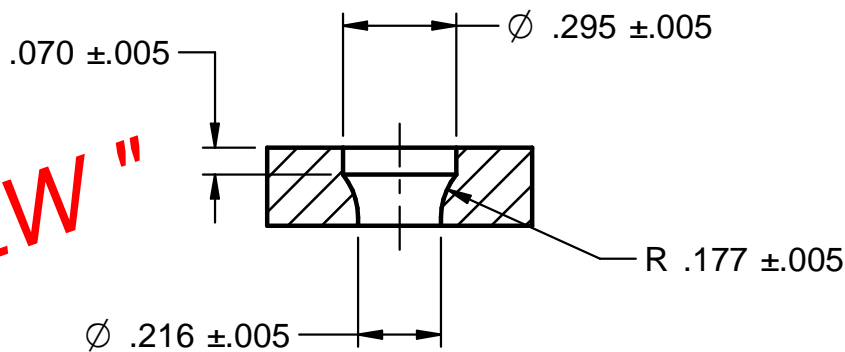
Style

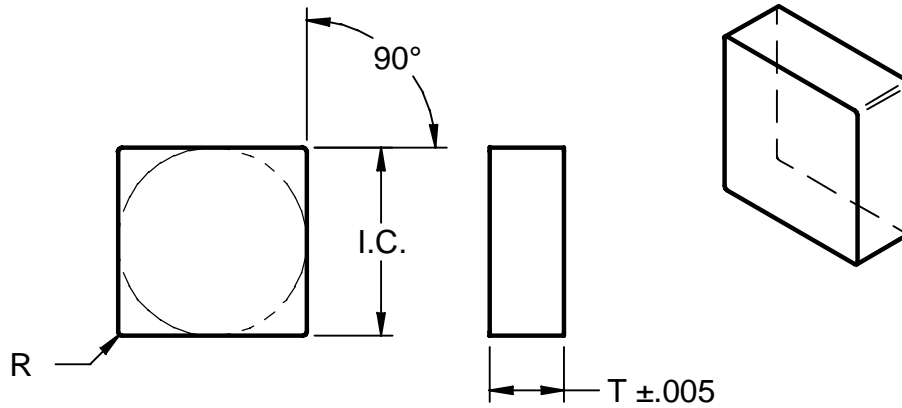
SNRW.670SQX.188THK

D-0778-P1 D289



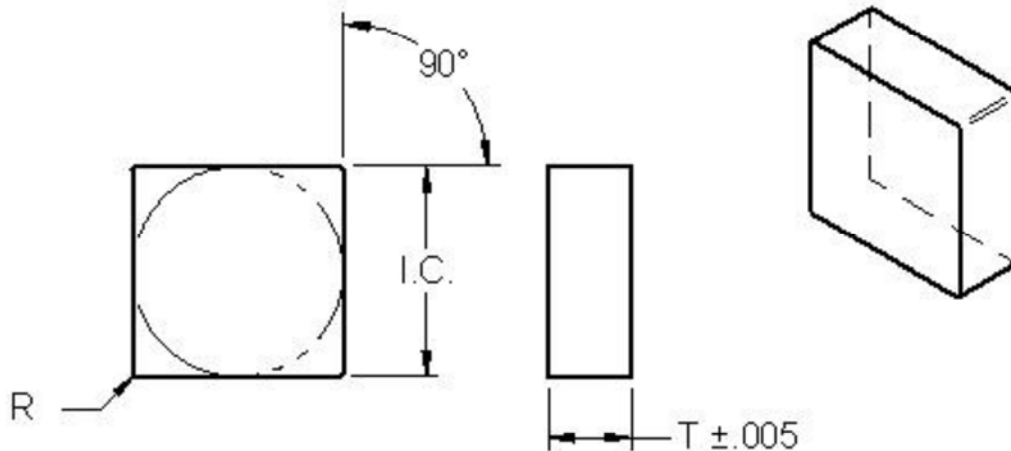
" NEW "





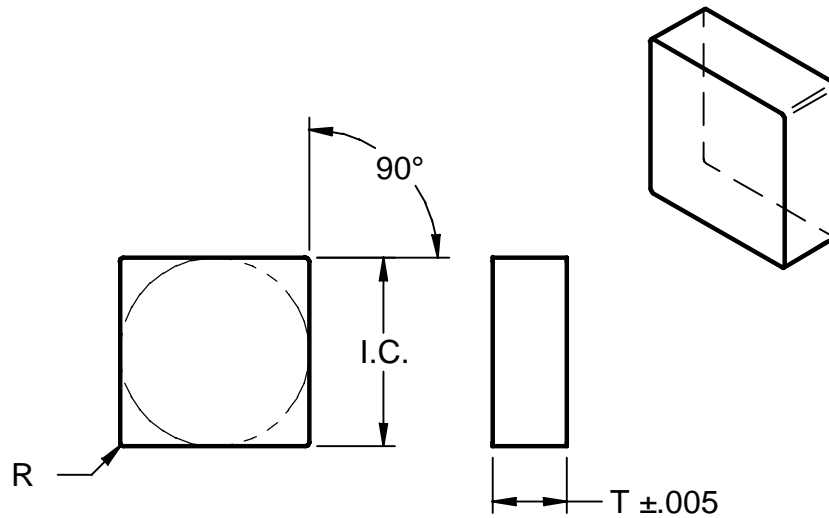
Variable Thickness Quoted on Request

Insert	I.C.		T	R			Notes
SNR211	.264 ±.004		.080	1/64			
SNR220	.264 ±.004		.139	.008			
SNR221	.264 ±.004		.139	1/64			
SNR320	.391 ±.005		.139	.008			
SNR321	.391 ±.005		.139	1/64			
SNR322	.391 ±.005		.201	1/32			
SNR330	.391 ±.005		.201	.008			
SNR331	.391 ±.005		.201	1/64			
SNR332	.391 ±.005		.201	1/32			
SNR420	.516 ±.005		.139	.008			
SNR422	.516 ±.005		.139	1/32			
SNR423	.516 ±.005		.139	3/64			
SNR424	.516 ±.005		.139	1/16			
SNR430	.516 ±.005		.201	.008			
SNR431	.516 ±.005		.201	1/64			
SNR432	.516 ±.005		.201	1/32			
SNR433	.516 ±.005		.201	3/64			
SNR434	.516 ±.005		.201	1/16			
SNR436	.516 ±.005		.201	3/32			
SNR438	.516 ±.005		.201	1/8			
SNR520	.642 ±.007		.139	.008			
SNR530	.642 ±.007		.202	.008			
SNR531	.642 ±.007		.202	1/64			
SNR534	.642 ±.007		.202	1/16			
SNR536	.642 ±.007		.202	3/32			

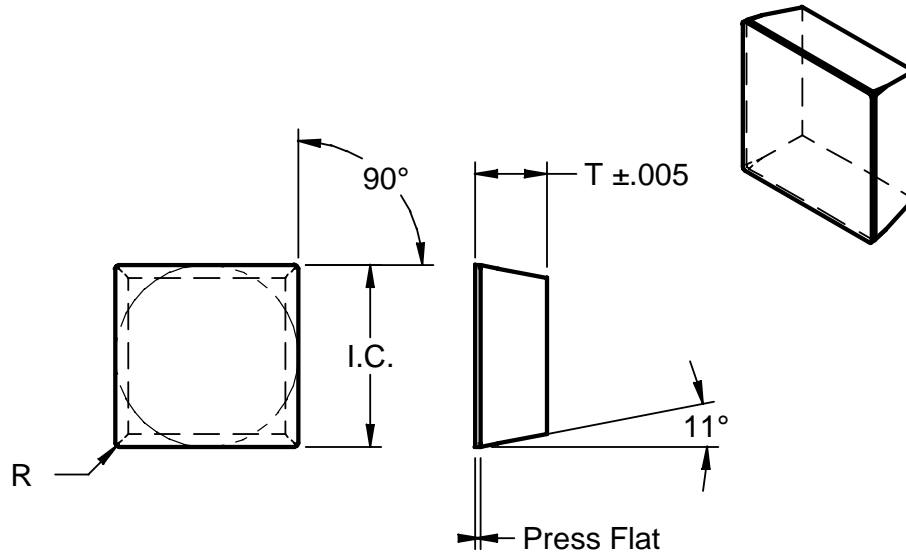


Variable Thickness Quoted on Request

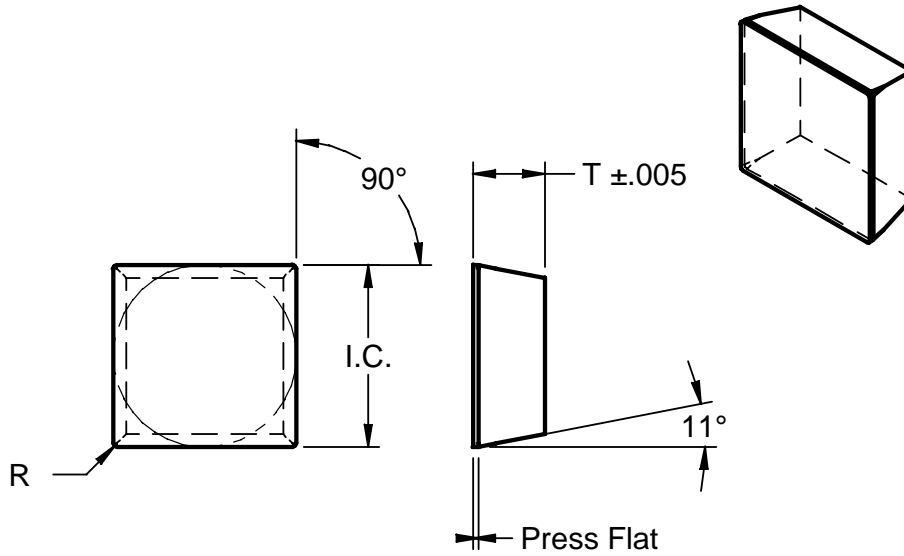
Insert	I.C.		T	R			Notes
SNR540	.642 ±.007		.265	.008			
SNR550	.642 ±.007		.323	.008			
SNR554	.642 ±.007		.323	1/16			
SNR620	.770 ±.007		.139	.008			
SNR630	.770 ±.007		.201	.008			
SNR631	.770 ±.007		.201	.008			
SNR632	.770 ±.007		.201	1/32			
SNR633	.770 ±.007		.201	3/64			
SNR634	.770 ±.007		.201	1/32			
SNR638	.770 ±.007		.201	1/8			
SNR640	.770 ±.007		.265	.008			
SNR643	.770 ±.007		.265	3/64			
SNR644	.770 ±.007		.265	1/16			
SNR646	.770 ±.007		.265	3/32			
SNR650	.770 ±.007		.323	.008			
SNR6416	.770 ±.007		.265	1/4			
SNR730	.894 ±.007		.203	.008			
SNR820	1.019 ±.007		.139	.008			
SNR830	1.019 ±.007		.203	.008			
SNR840	1.019 ±.007		.260	.008			
SNR850	1.019 ±.007		.323	.008			
SNR860	1.019 ±.007		.388	.008			
SNR1040	1.270±.007		.265	.008			



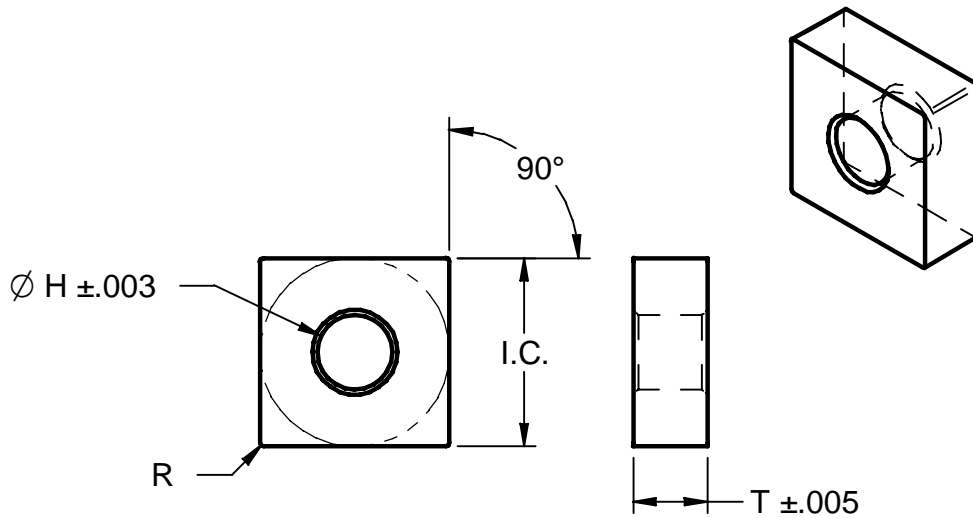
Insert	I.C.		T	R			Notes
SNS321	.375 ±.005		.139	1/64			
SNS322	.375 ±.005		.139	1/32			
SNS324	.375 ±.005		.139	1/16			
SNS331	.375 ±.005		.201	1/64			
SNS332	.375 ±.005		.201	1/32			
SNS334	.375 ±.005		.201	1/16			
SNS421	.500 ±.005		.139	1/64			
SNS422	.500 ±.005		.139	1/32			
SNS424	.500 ±.005		.139	1/16			
SNS431	.500 ±.005		.201	1/64			
SNS432	.500 ±.005		.201	1/32			
SNS433	.500 ±.005		.201	3/64			
SNS434	.500 ±.005		.201	1/16			
SNS438	.500 ±.005		.201	1/8			
SNS443	.500 ±.005		.265	3/64			
SNS530	.625 ±.007		.201	.008			
SNS533	.625 ±.007		.201	3/64			
SNS538	.625 ±.007		.265	1/8			
SNS543	.625 ±.007		.265	3/64			
SNS544	.625 ±.007		.265	1/16			
SNS548	.625 ±.007		.265	1/8			
SNS632	.750 ±.007		.201	1/32			
SNS633	.750 ±.007		.201	3/64			
SNS634	.750 ±.007		.201	1/16			
SNS636	.750 ±.007		.201	3/32			



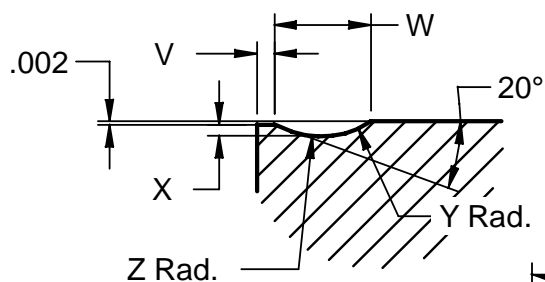
Insert	I.C.		T	R			Notes
SPR221	.264 ±.004		.139	1/64			
SPR2.51.52	.327 ±.005		.107	1/32			
SPR32.52	.391 ±.005		.171	1/32			.042 Press Flat
SPR320	.392 ±.005		.139	1/64			
SPR321	.392 ±.005		.139	1/64			
SPR322	.392 ±.005		.139	1/32			
SPR324	.392 ±.005		.139	1/16			
SPR420	.516 ±.005		.139	1/64			
SPR421	.516 ±.005		.139	1/64			
SPR422	.516 ±.005		.139	1/32			
SPR423	.516 ±.005		.139	3/64			
SPR424	.516 ±.005		.139	1/16			
SPR426	.516 ±.005		.139	3/32			
SPR430	.516 ±.005		.201	1/64			
SPR431	.516 ±.005		.201	1/64			
SPR432	.516 ±.005		.201	1/32			
SPR433	.516 ±.005		.201	3/64			
SPR530	.643 ±.005		.201	1/64			
SPR531	.643 ±.005		.201	1/64			
SPR533	.643 ±.005		.201	3/64			
SPR630	.770 ±.005		.201	1/64			
SPR631	.770 ±.005		.201	1/64			
SPR632	.770 ±.005		.201	1/32			
SPR633	.770 ±.005		.201	3/64			
SPR634	.770 ±.005		.201	1/16			



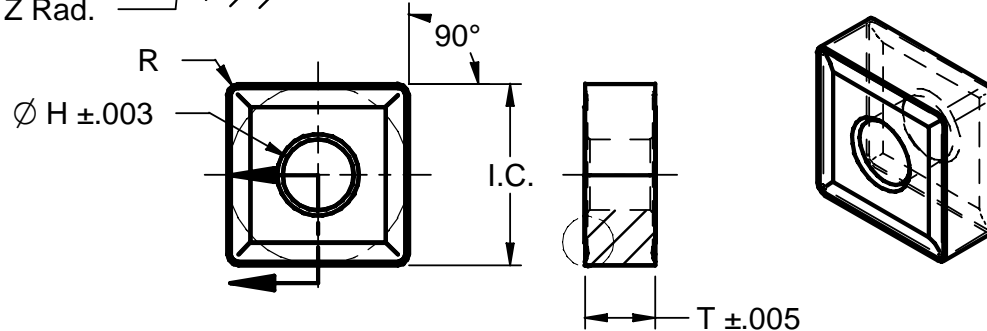
Insert	I.C.		T	R		Notes
SPR636	.770 ±.005		.201	3/32		
SPR638	.770 ±.005		.201	1/8		
SPR6312	.770 ±.005		.201	3/16		
SPR6316	.770 ±.005		.201	1/4		
SPR6328	.770 ±.005		.201	7/16		
SPR643	.770 ±.005		.265	3/64		
SPR644	.770 ±.005		.265	1/16		
SPR833	1.023 ±.007		.201	3/64		
SPR838	1.023 ±.007		.201	1/8		
SPR843	1.023 ±.007		.265	3/64		
SPR844	1.023 ±.007		.265	1/16		
SPR846	1.023 ±.007		.270	3/32		
SPR1034	1.273 ±.007		.201	1/16		
SPR1.81.50	.234 ±.004		.110	0		7/32 SQ.X 3/32T
SPR12mmX.156T	.486 ±.005		.184	1/32		12mm SQ.
SPR(4.25)38	.551 ±.005		.204	1/8		SPR17/32X3/16T
SPR(4.75)38	.624 ±.005		.204	1/8		SPR19/32X3/16T
SPR(5.5)38	.707 ±.005		.204	1/8		SPR11/16X3/16T
SPR(6.25)30	.807 ±.005		.209	.010		SPR25/32X3/16T
SPR(6.5)38	.832 ±.005		.204	1/8		SPR13/16X3/16T



Insert	I.C.		T	R	H		Notes
SNSA322	.375 ±.002	-	.139	1/32	.150		
SNSA323	.375 ±.002	-	.139	3/64	.150	-	
SNSA332	.375 ±.002	-	.201	1/32	.150	-	
SNSA333	.375 ±.002	-	.201	3/64	.150	-	
SNSA422	.500 ±.003	-	.139	1/32	.203	-	
SNSA423	.500 ±.003	-	.139	3/64	.203	-	
SNSA424	.500 ±.003	-	.139	1/16	.203	-	
SNSA432	.500 ±.003	-	.201	1/32	.203	-	
SNSA433	.500 ±.003	-	.201	3/64	.203	-	
SNSA434	.500 ±.003	-	.201	1/16	.203	-	
SNSA523	.625 ±.003	-	.139	3/64	.253	-	
SNSA533	.625 ±.003	-	.201	3/64	.253	-	
SNSA543	.625 ±.003	-	.265	3/64	.253	-	
SNSA544	.625 ±.003	-	.265	1/16	.253	-	
SNSA548	.625 ±.003	-	.265	1/8	.253	-	
SNSA632	.750 ±.003	-	.201	1/32	.313	-	
SNSA633	.750 ±.003	-	.201	3/64	.313	-	
SNSA634	.750 ±.003	-	.201	1/16	.313	-	
SNSA642	.750 ±.003	-	.265	1/32	.313	-	
SNSA643	.750 ±.003	-	.265	3/64	.313	-	
SNSA644	.750 ±.003	-	.265	1/16	.313	-	
SNSA648	.750 ±.003	-	.265	1/8	.313	-	
SNSA866	1.000 ±.004	-	.393	3/32	.362	-	



I.C.	V	W	X	Y	Z
3/8	.007	.040	.007	.035	-
1/2	.010	.055	.009	.100	.030
5/8	.020	.055	.009	.085	-
3/4	.025	.078	.009	.187	.030
1	.030	.075	.009	.220	.050

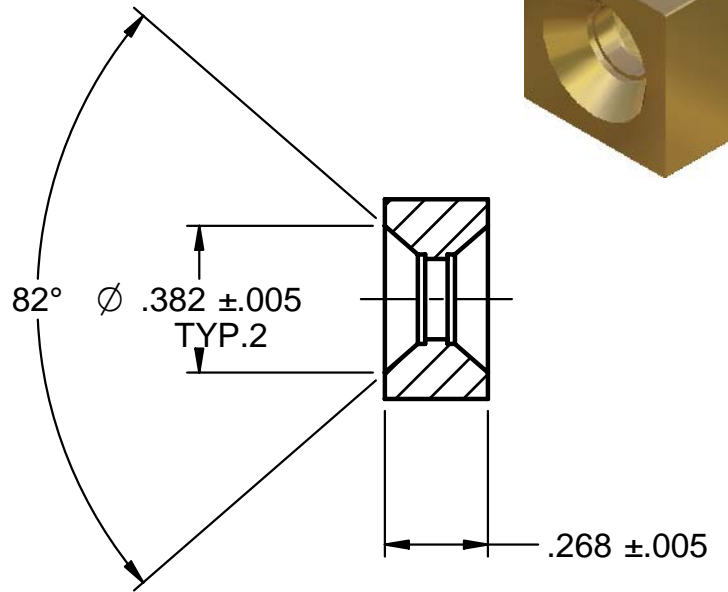
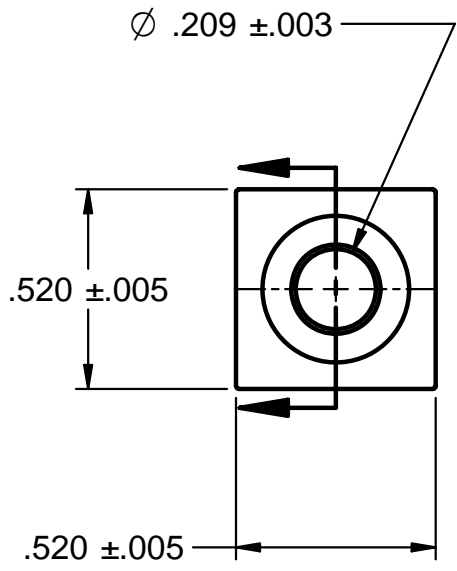


Insert	I.C.	T	R	H	Notes
SNMG321	.375 ±.002	.125	1/64	.150	
SNMG322	.375 ±.002	.125	1/32	.150	
SNMG323	.375 ±.002	.125	3/64	.150	
SNMG333	.375 ±.002	.188	3/64	.150	
SNMG422	.500 ±.003	.125	1/32	.203	
SNMG423	.500 ±.003	.125	3/64	.203	
SNMG424	.500 ±.003	.125	1/16	.203	
SNMG432	.500 ±.003	.188	1/32	.203	
SNMG433	.500 ±.003	.188	3/64	.203	
SNMG434	.500 ±.003	.188	1/16	.203	
SNMG438	.500 ±.003	.188	1/8	.203	
SNMG443	.500 ±.003	.250	3/64	.203	
SNMG453	.562 ±.003	.250	3/64	.203	
SNMG533	.625 ±.003	.188	3/64	.253	
SNMG542	.625 ±.003	.250	1/32	.253	
SNMG543	.625 ±.003	.250	3/64	.253	
SNMG544	.625 ±.003	.250	1/16	.253	
SNMG632	.750 ±.003	.188	1/32	.313	
SNMG633	.750 ±.003	.188	3/64	.313	
SNMG634	.750 ±.003	.188	1/16	.313	
SNMG642	.750 ±.003	.250	1/32	.313	
SNMG643	.750 ±.003	.250	3/64	.313	
SNMG644	.750 ±.003	.250	1/16	.313	
SNMG866	1.000 ±.004	.375	3/32	.362	

Tungste-Met

Style

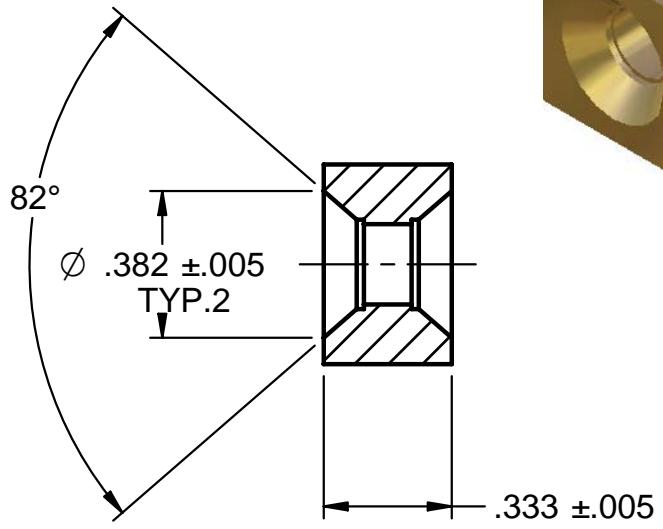
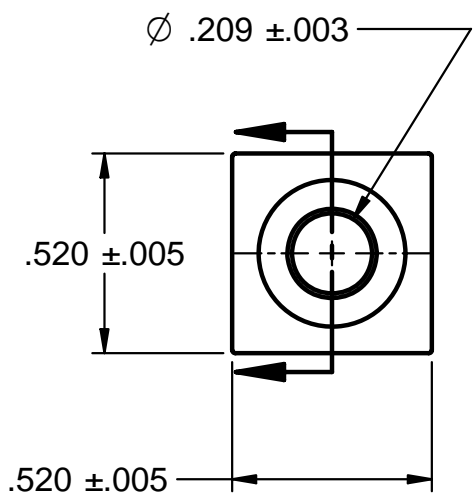
SNRC440



Tungste-Met

Style

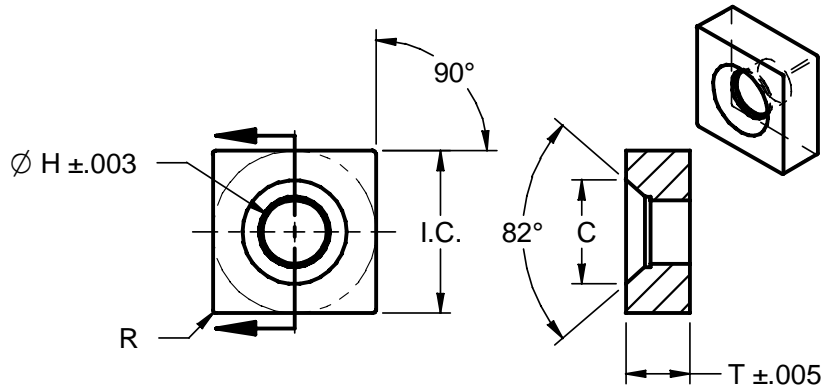
SNRC450



Tungste-Met

Style

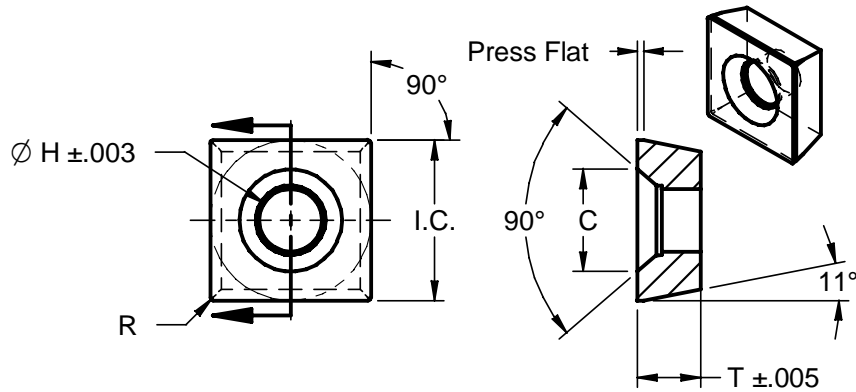
SD (NEG)



Insert	I.C.		T	R	H	C	Notes
SD7P	.452 \pm .005		.140	1/32	.125	.275	
SD8P	.514 \pm .005		.140	.008	.203	.379	
SD9P	.577 \pm .005		.140	1/32	.203	.379	
SD12P	.775 \pm .005		.202	1/32	.203	.431	

Style

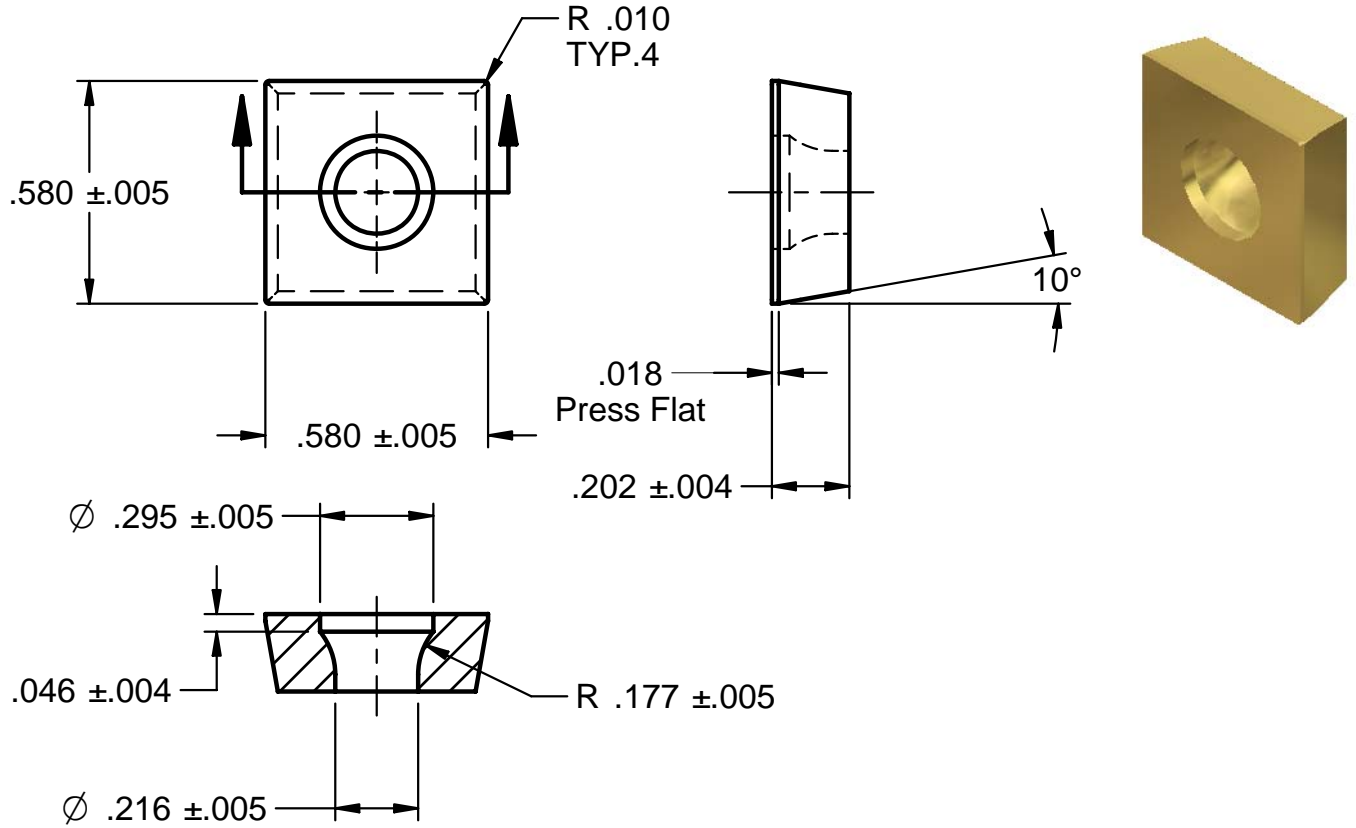
SPRB / USD



Insert	I.C.		T	R	H	C	Notes
SPRB424 - #4	.520 \pm .005		.145	1/16	.126	.270	
SPRB533	.642 \pm .005		.201	3/64	.253	.331	
SPRB633	.769 \pm .005		.201	3/64	.313	.402	
SPRB843	1.025 \pm .005		.265	3/64	.313	.402	
USD322P	.391 \pm .005		.139	1/32	.152	.261	
USD422P	.518 \pm .005		.148	1/32	.180	.307	

Tungste-Met

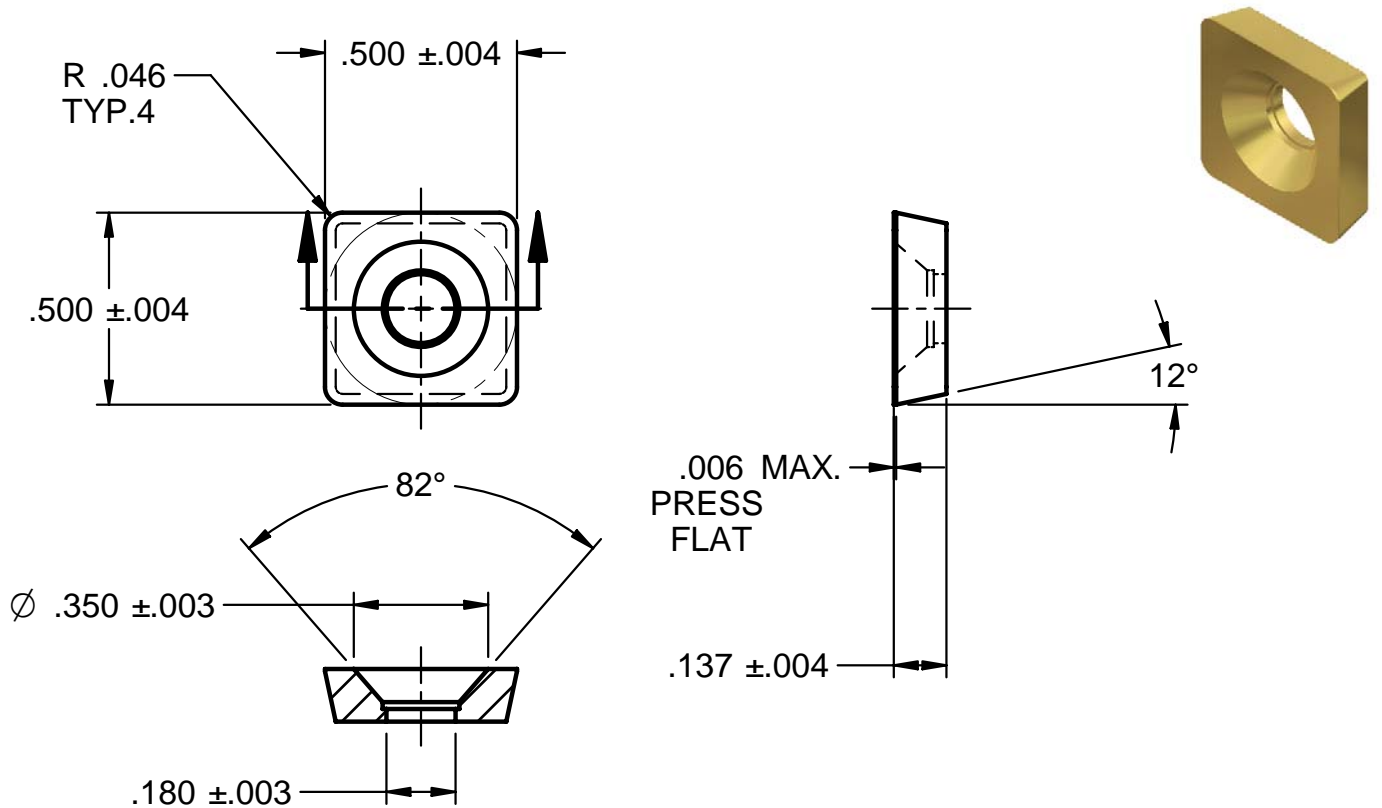
Style **SPRW4.530**



Tungste-Met

Style **A-1099-B-4**

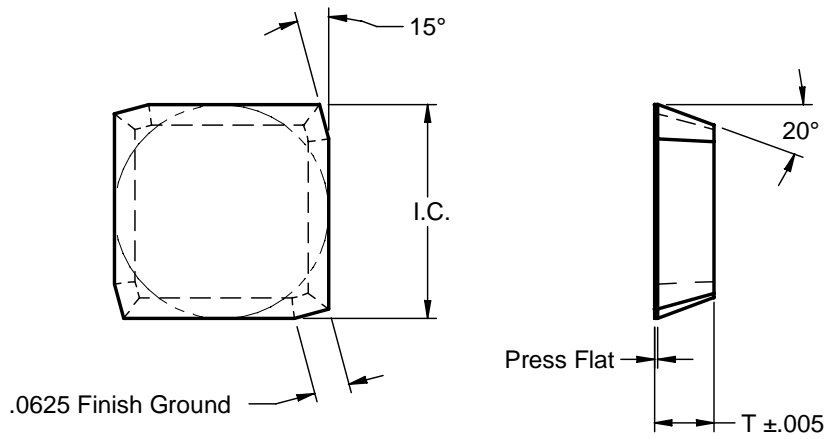
SPSB423



Tungste-Met

Style

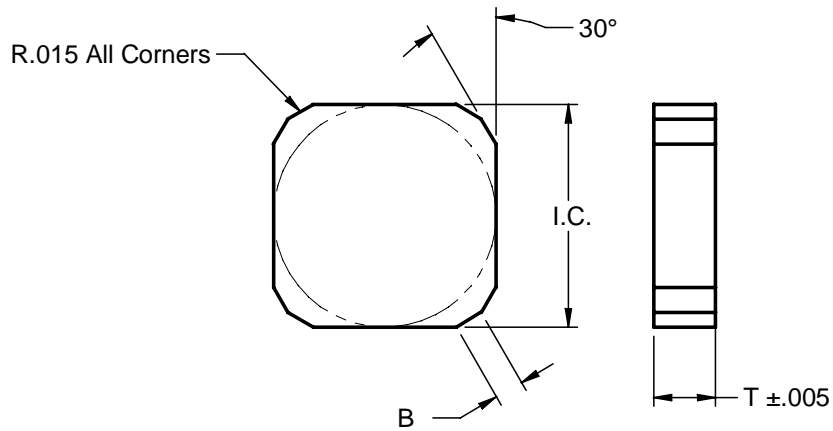
SER-R



Insert	I.C.	B	T				Notes
SER42E4R	.516 ±.005	.0625	.143				

Style

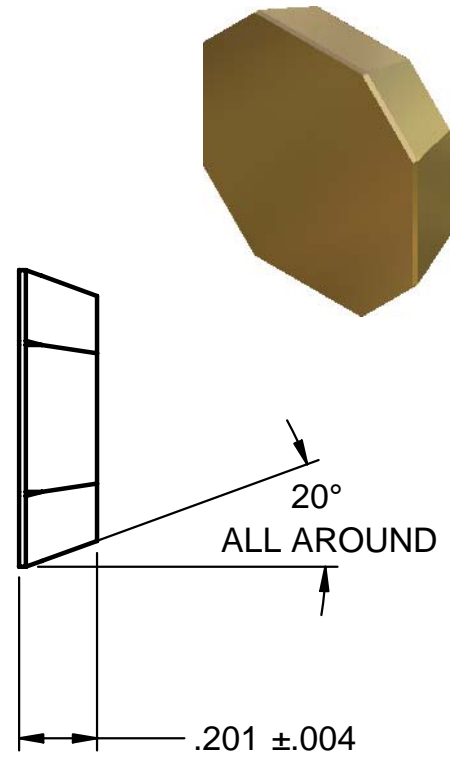
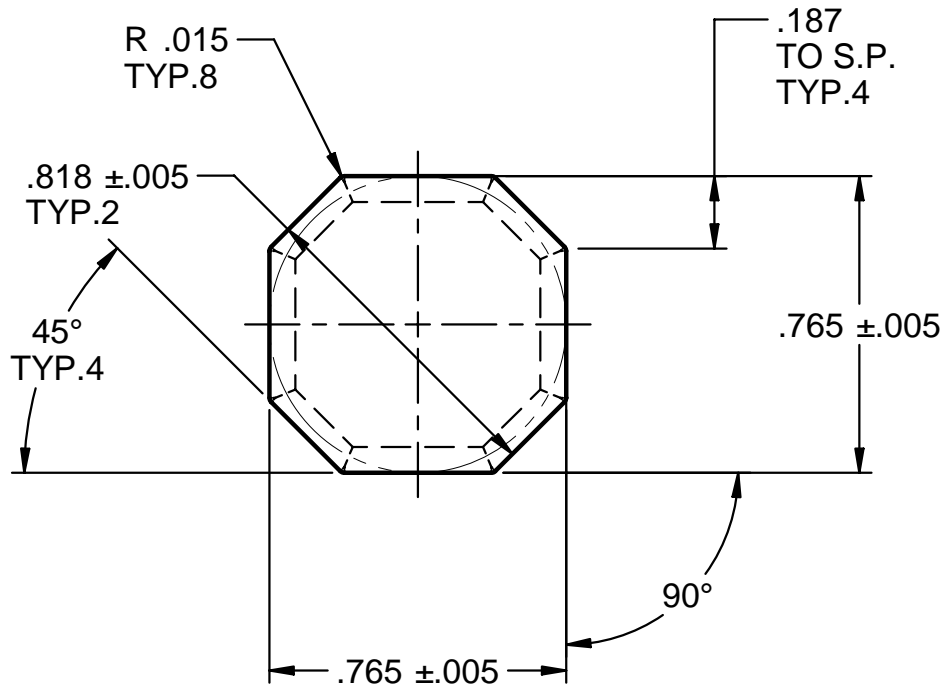
SNR-K



Insert	I.C.	B	T				Notes
SNR63K8	.769 ±.005	.172	.201				

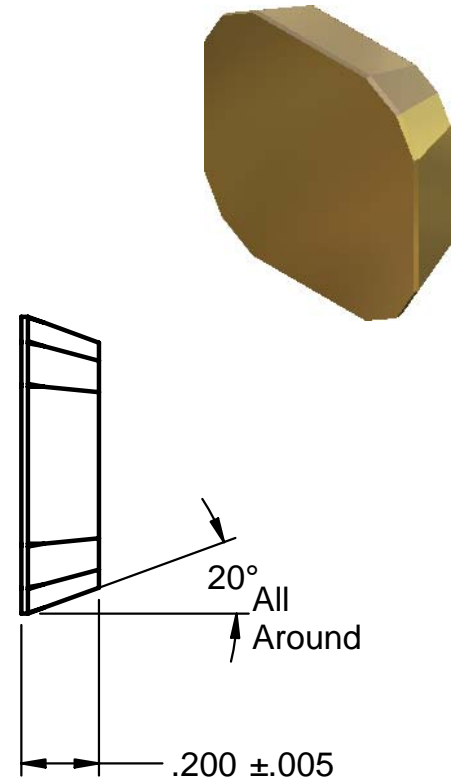
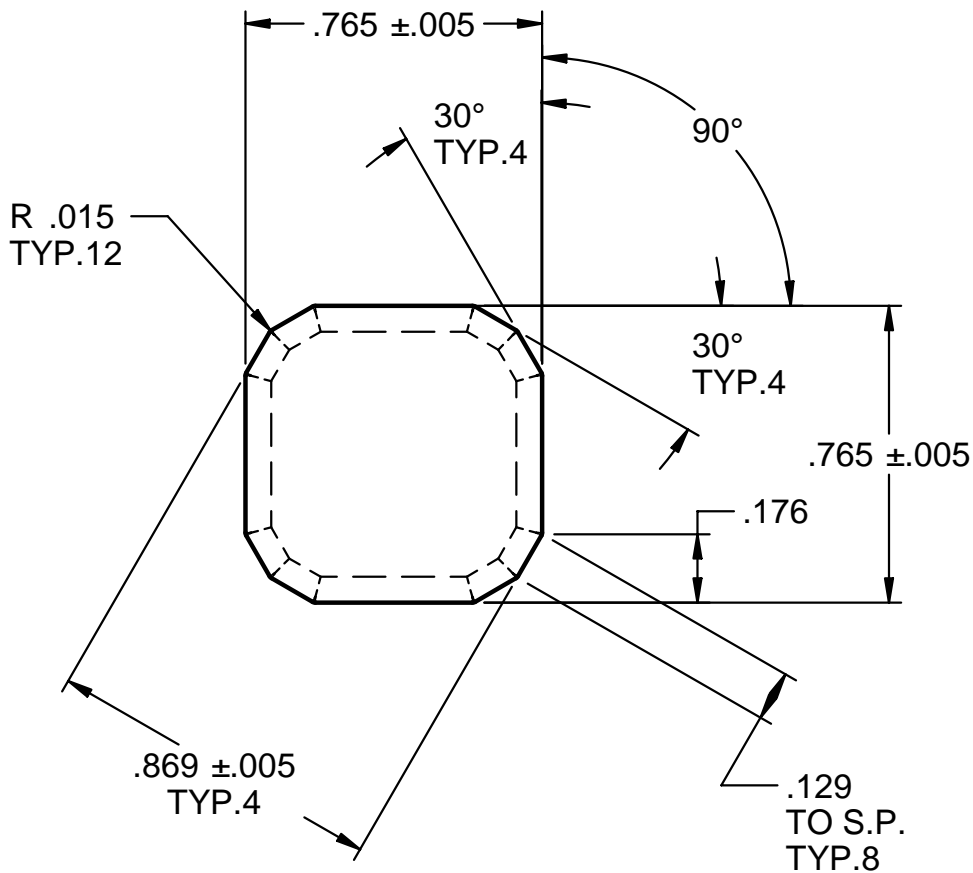
Tungste-Met

Style **SER63A8**



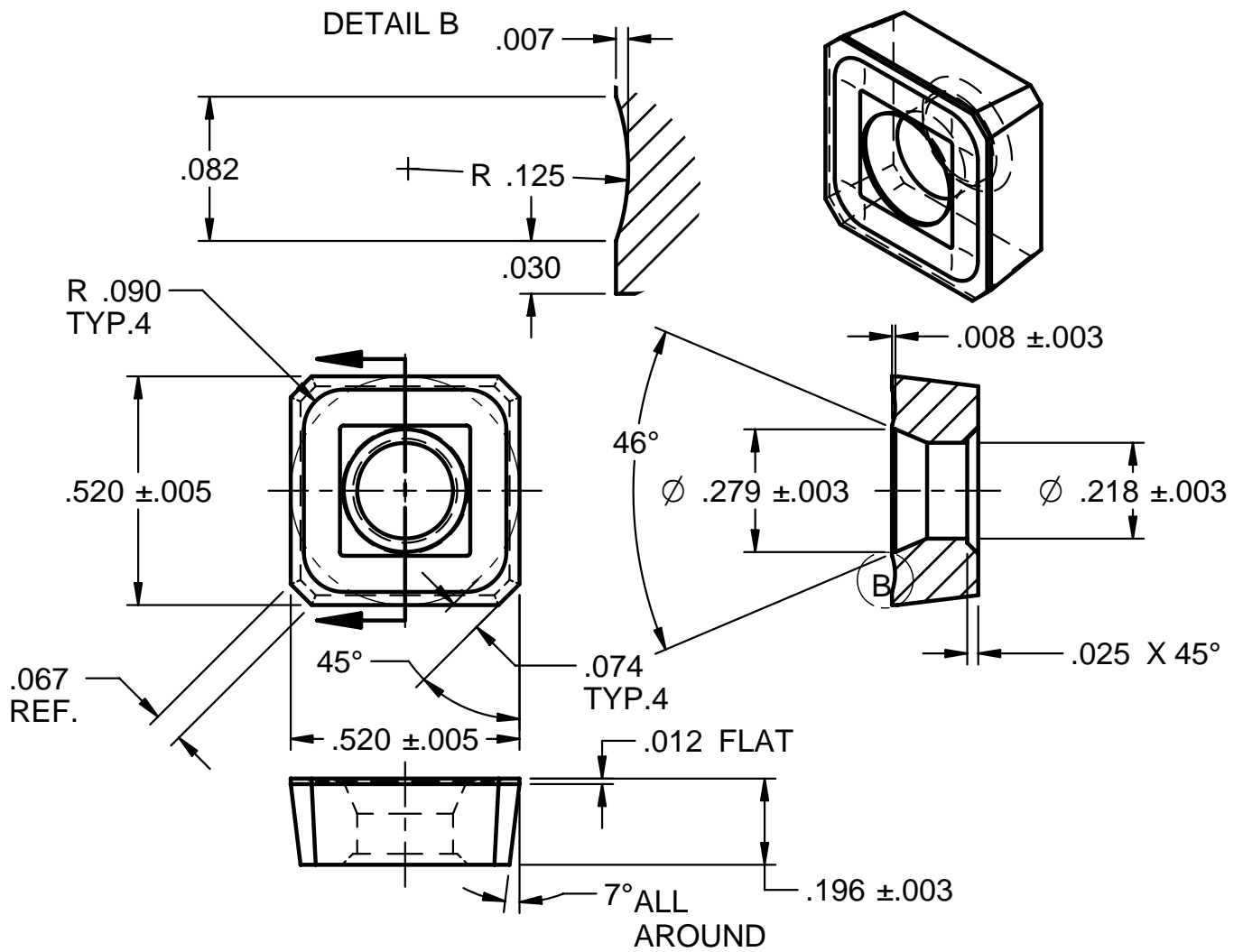
Tungste-Met

Style **SER63K8**



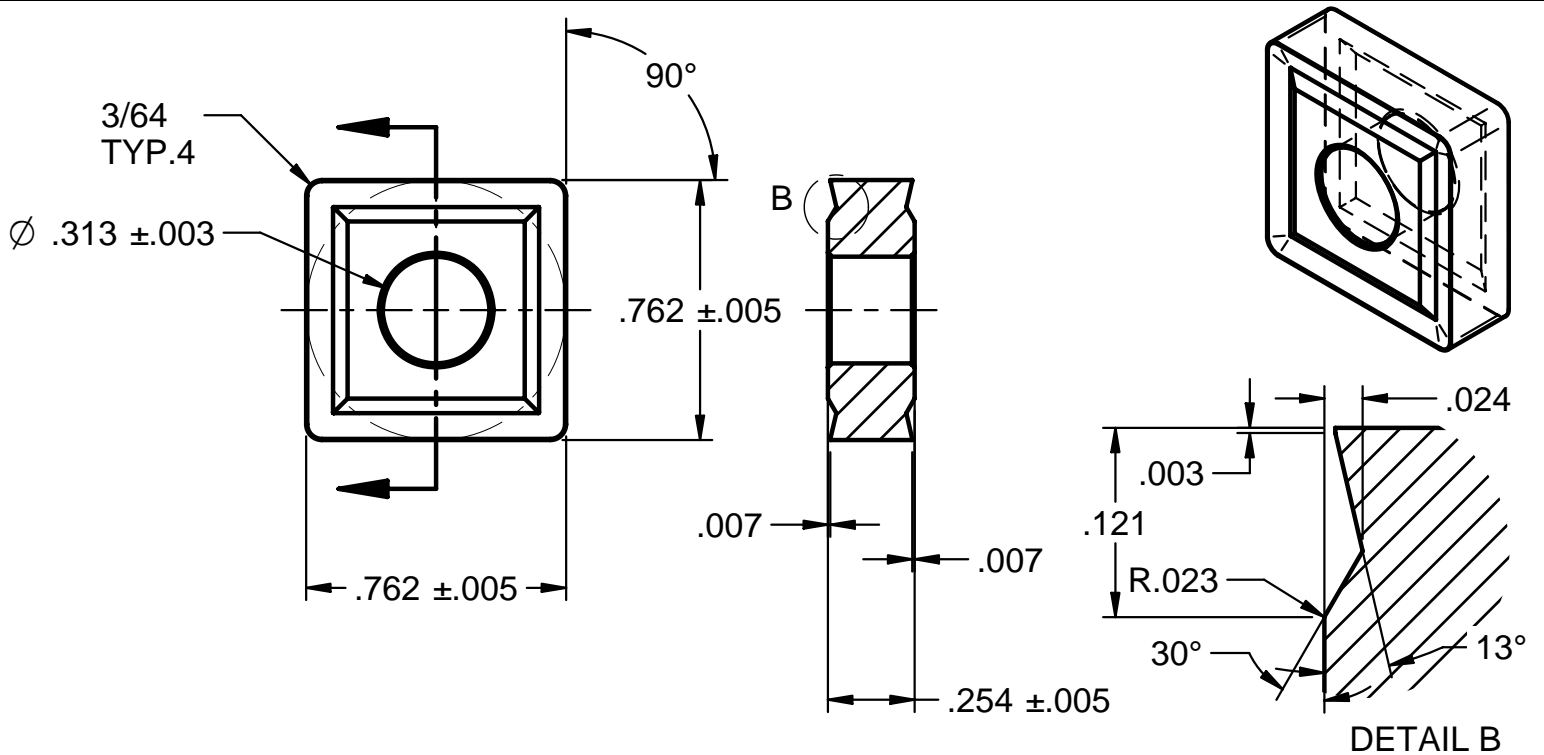
Tungste-Met

Style SCRT43A (LX-0350 / MA-65752)



Tungste-Met

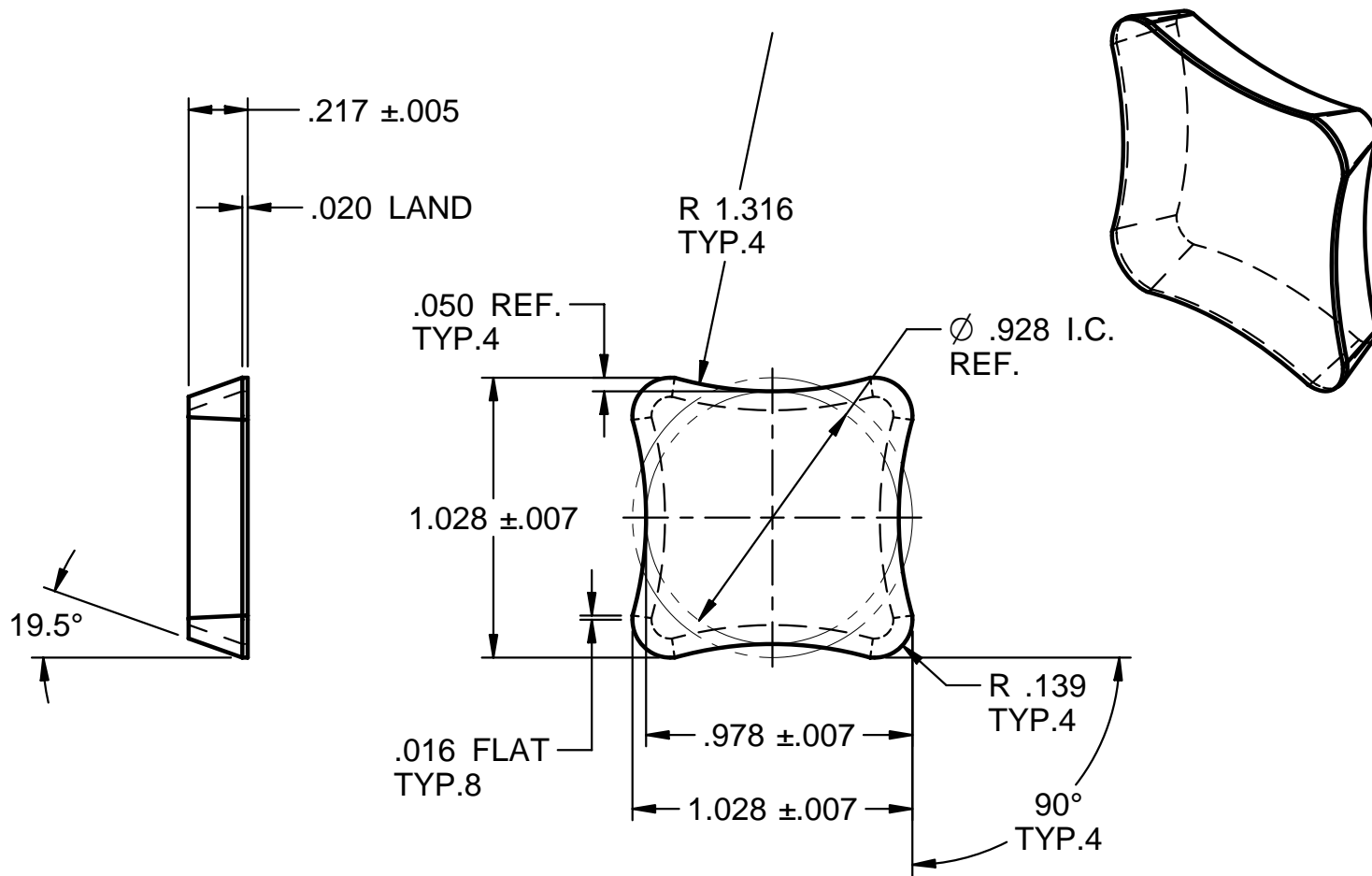
Style SNRP643 (LX-1708-1 / MA-72271)



Tungste-Met

Style MA-70086-6

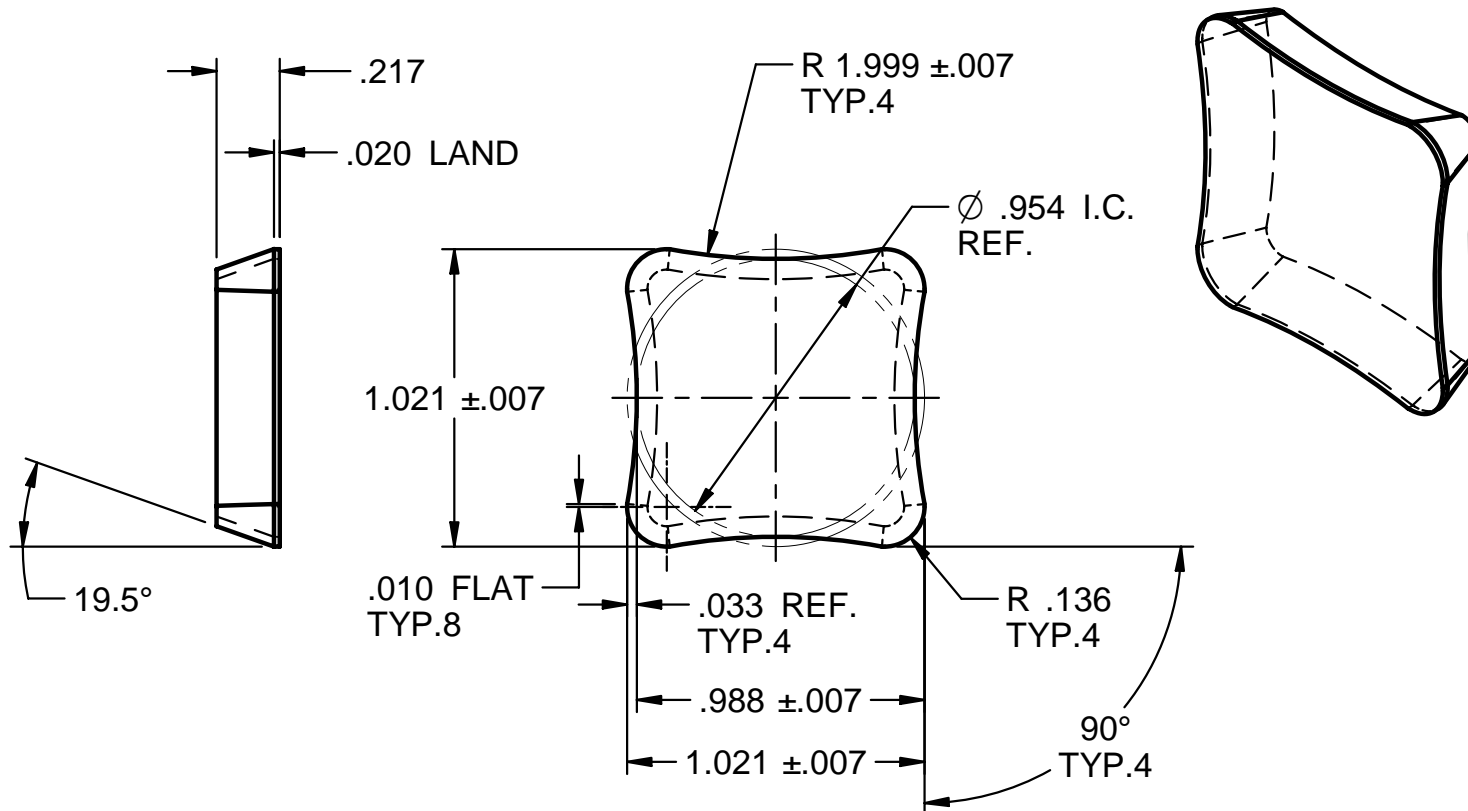
LX-1646-3



Tungste-Met

Style MA-70086-3

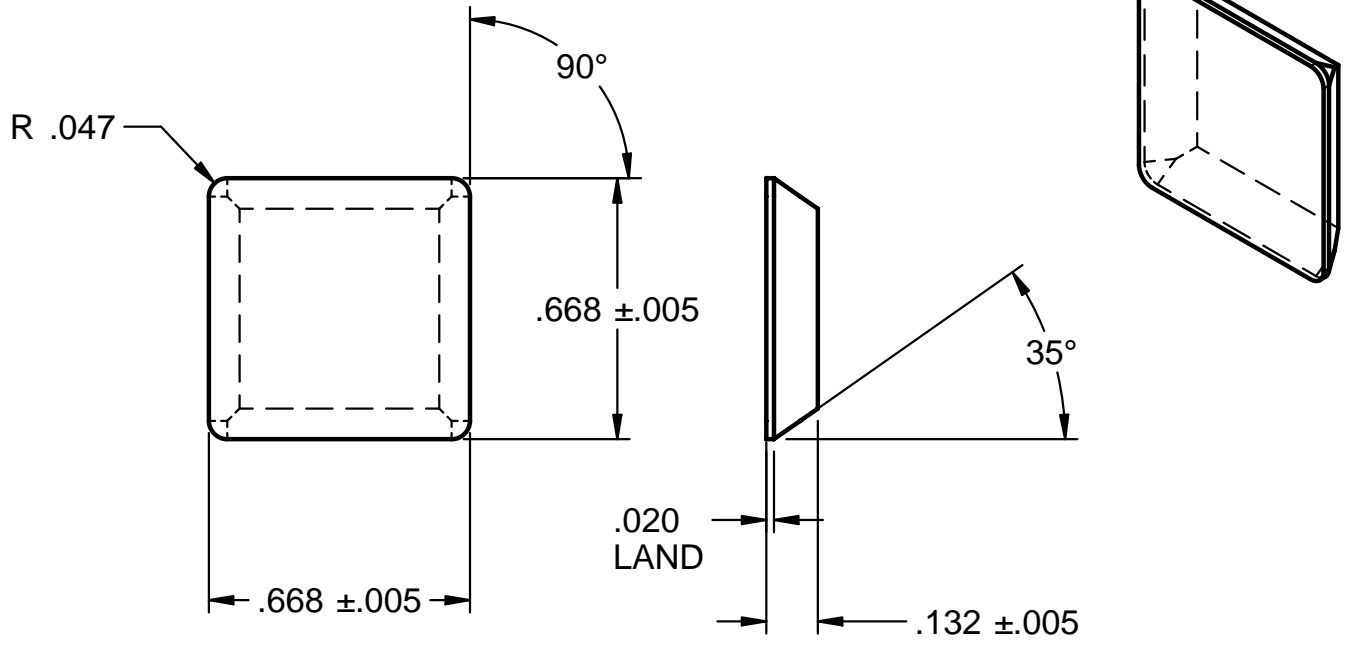
LX-1646-2



Tungste-Met

Style

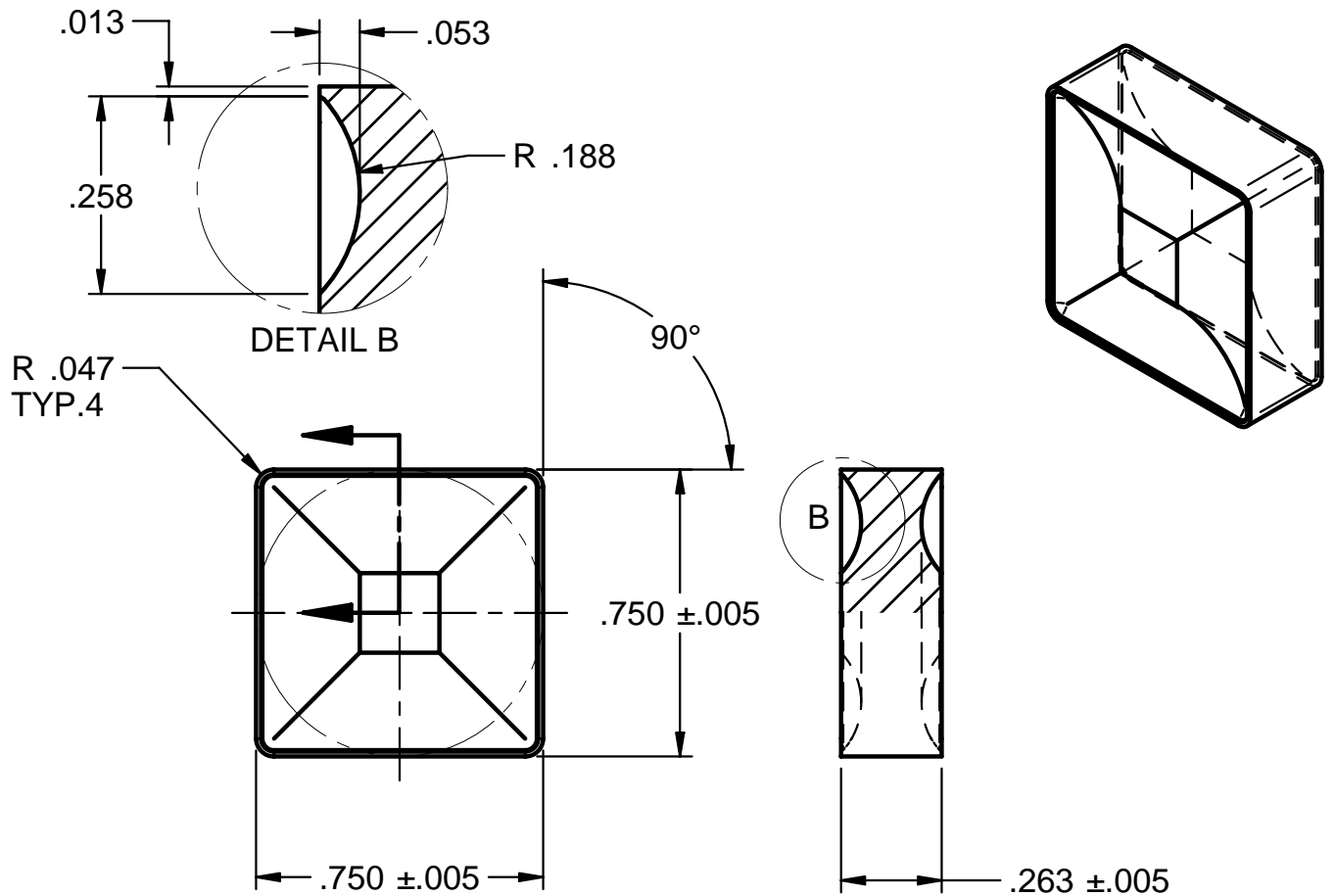
MA-71569



Tungste-Met

Style

MA-70275

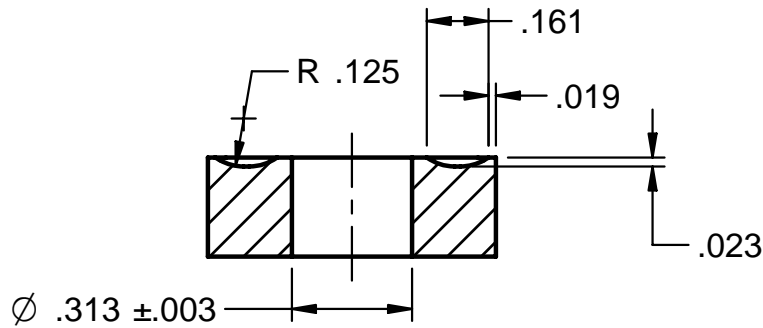
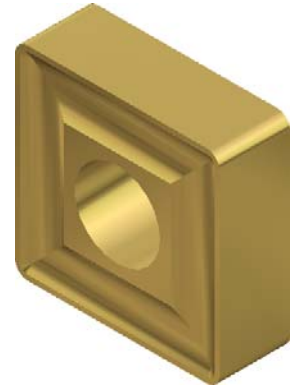
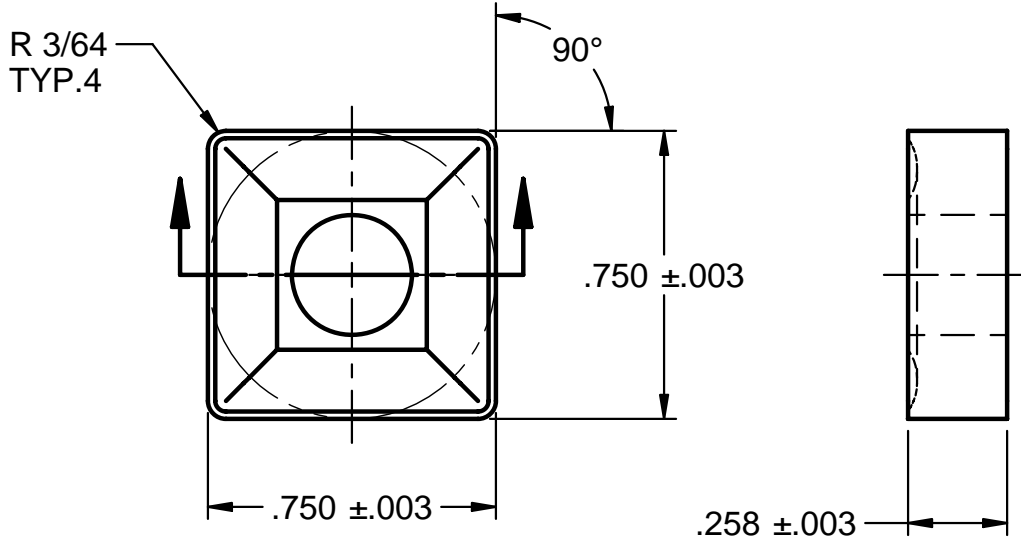


Tungste-Met

Style

R-16056-A

D-16663-P4 L20

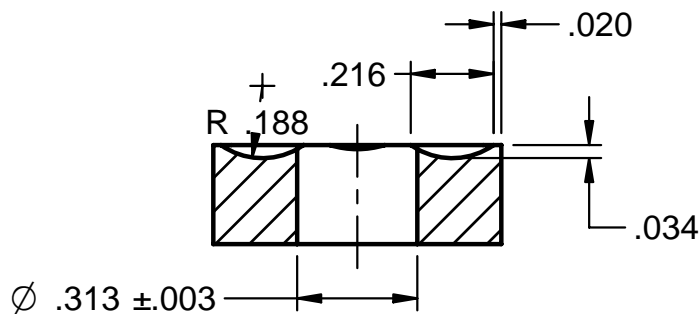
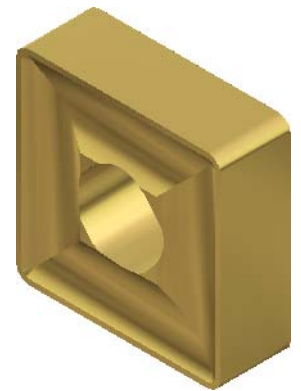
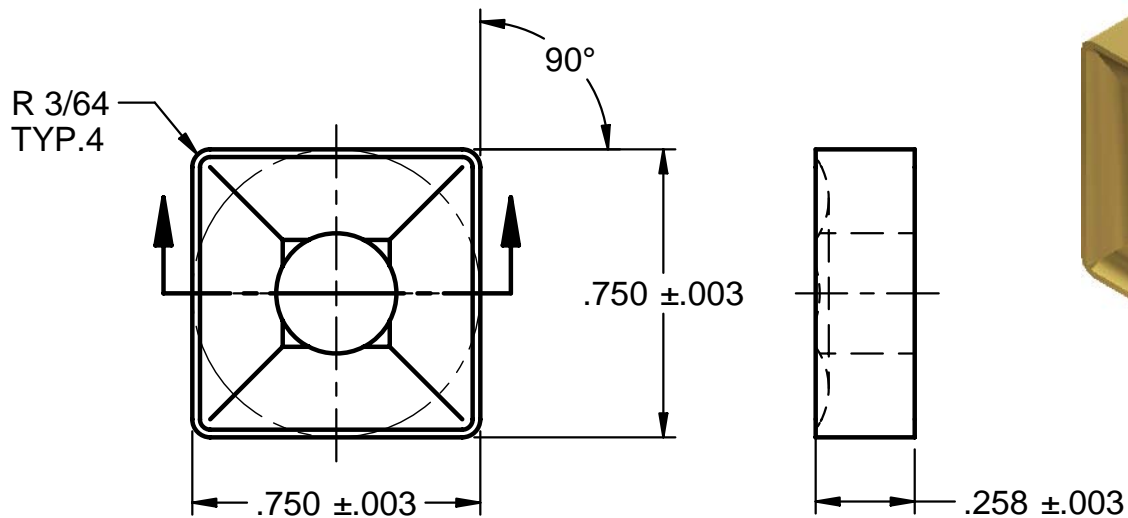


Tungste-Met

Style

R-16112

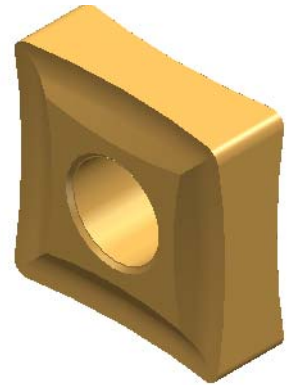
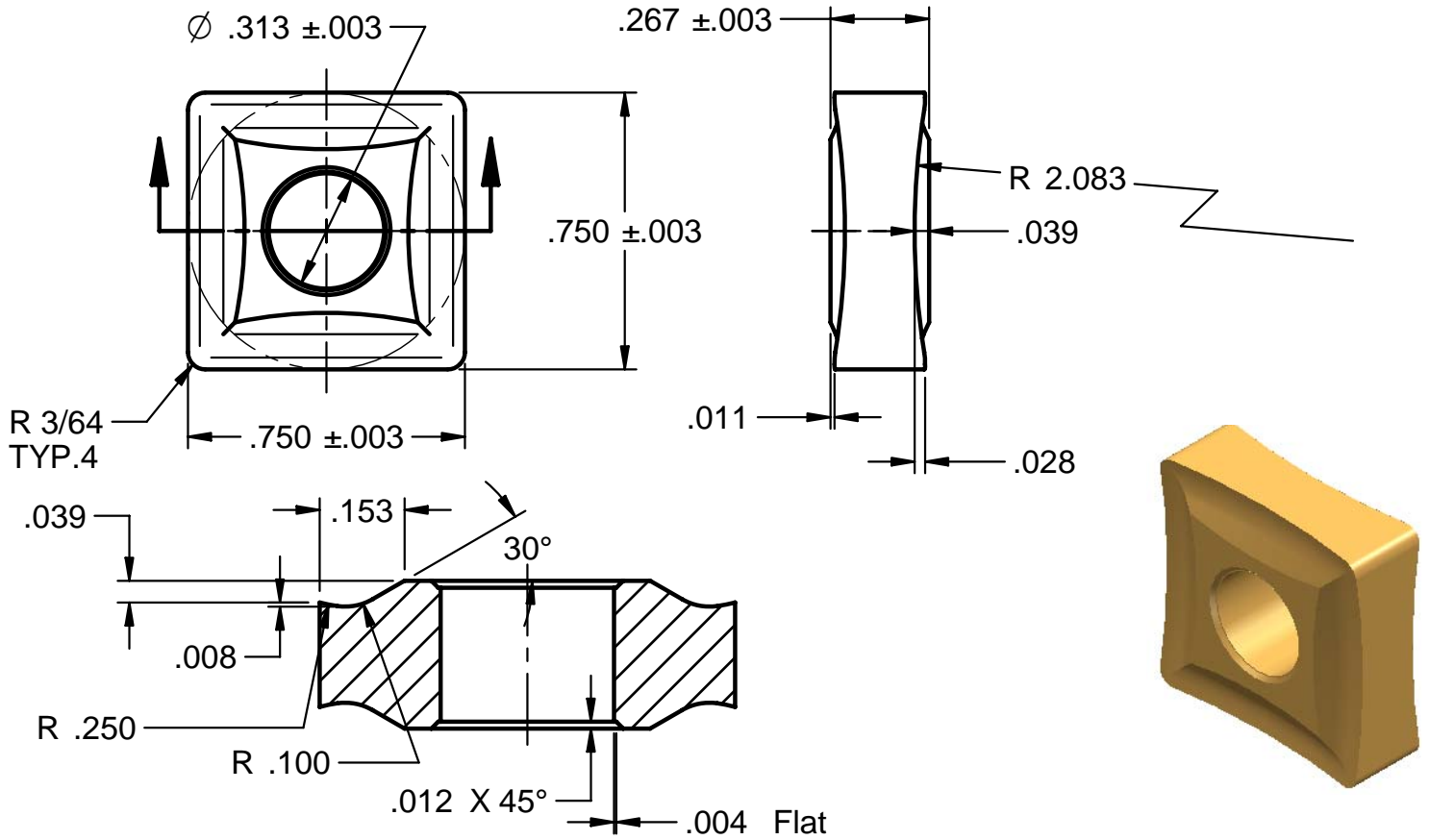
D-16663-P6 L20



Tungste-Met

Style SNSX643-P3

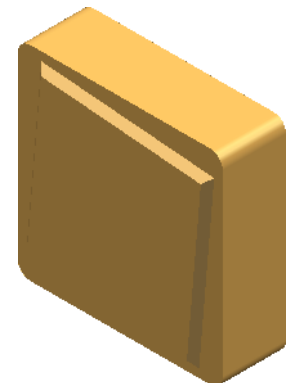
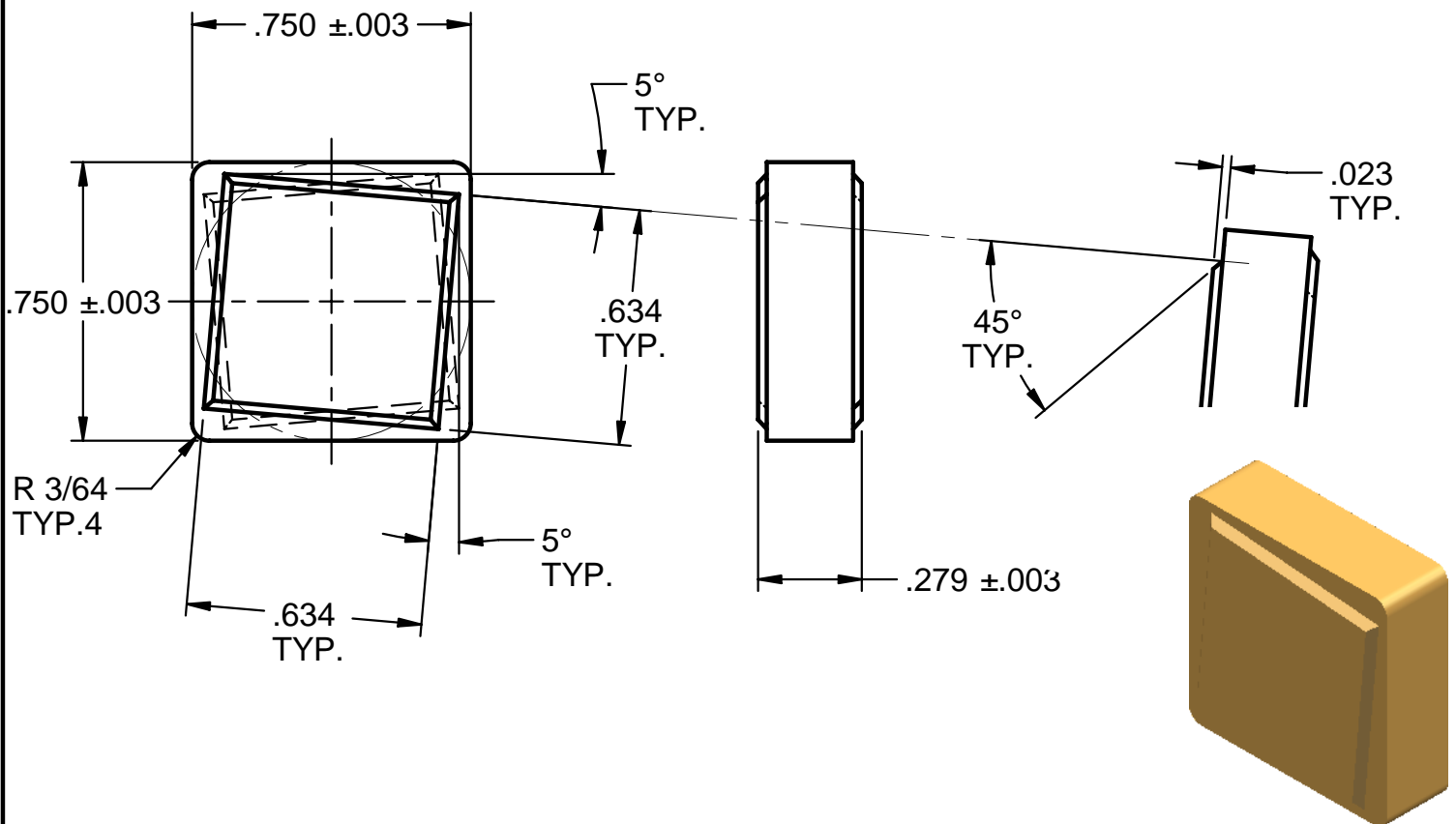
D-16663-P3 L20



Tungste-Met

Style SNSX643-X426

D-16663-P5 L20

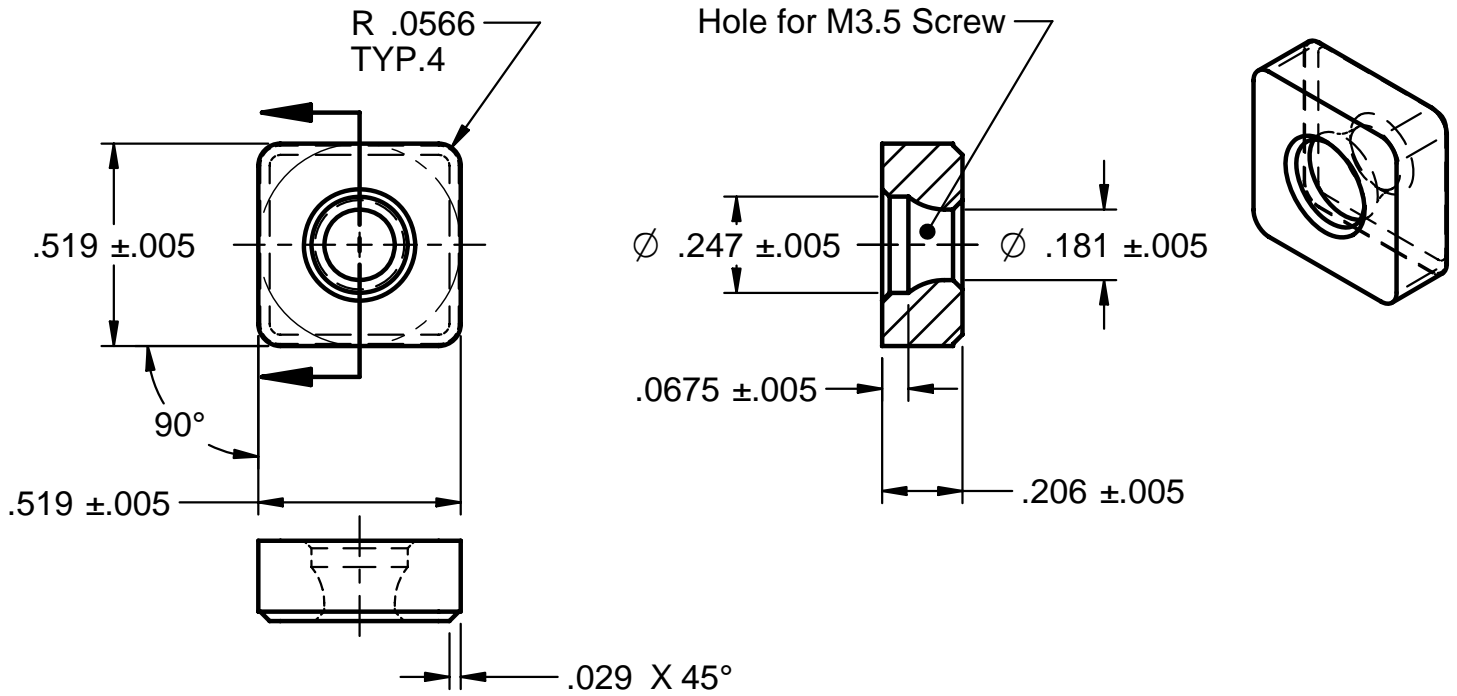


Tungste-Met

Style LX-0985-2

MAI-68465

SNRW433-M3.5

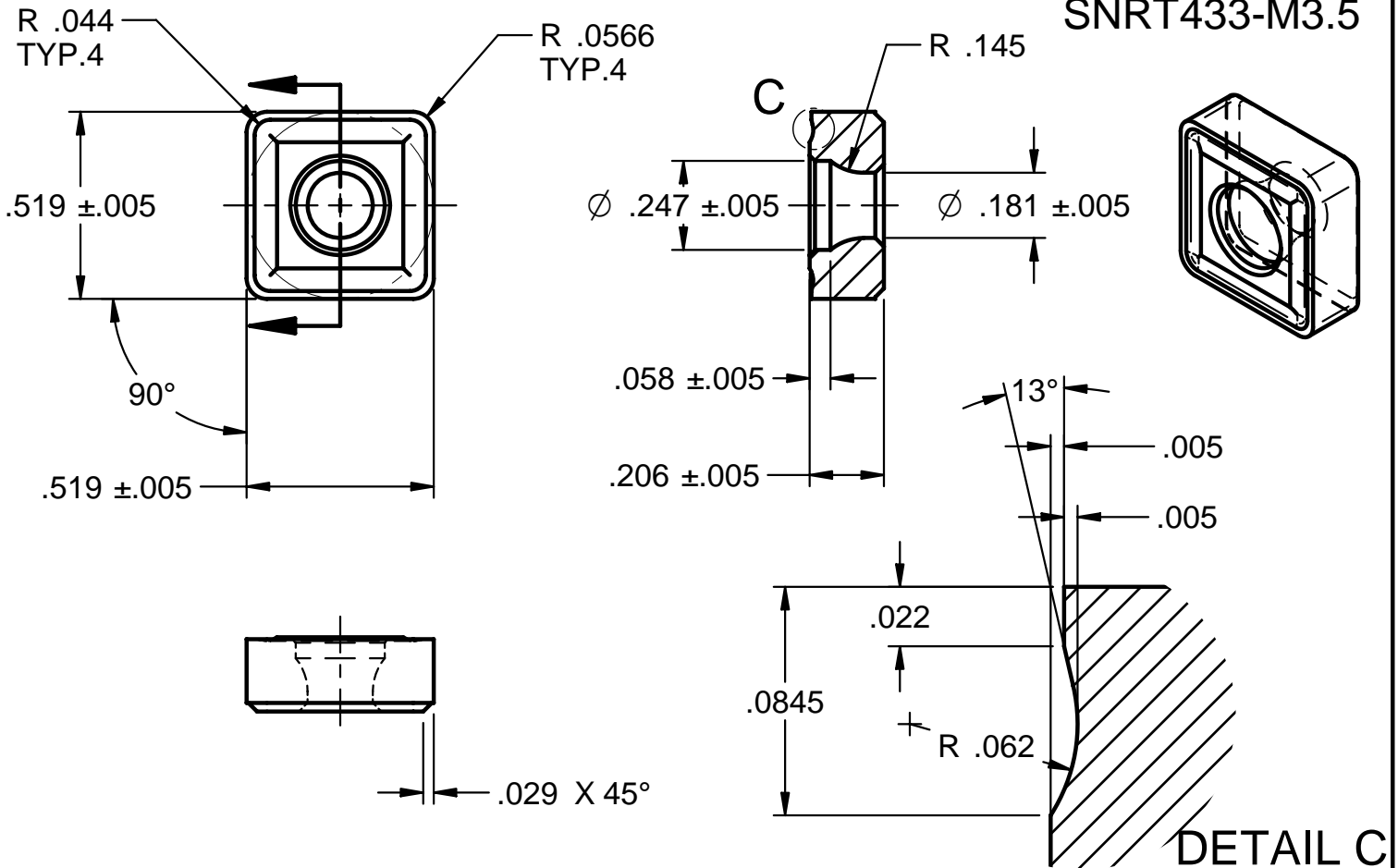


Tungste-Met

Style LX-0985-1

MAI-68464

SNRT433-M3.5

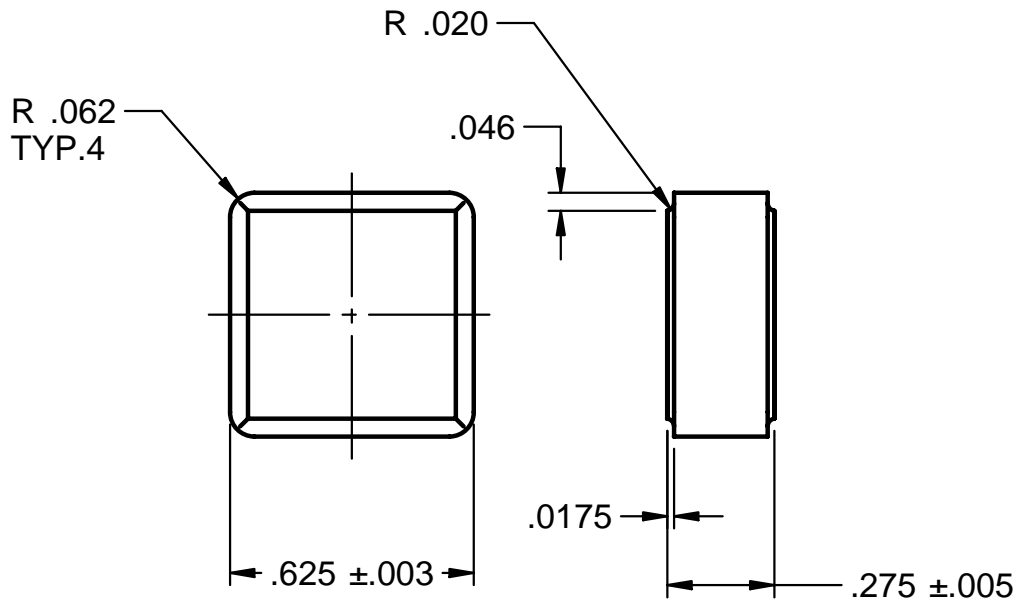


Tungste-Met

Style LX-0468-1

MA-70975

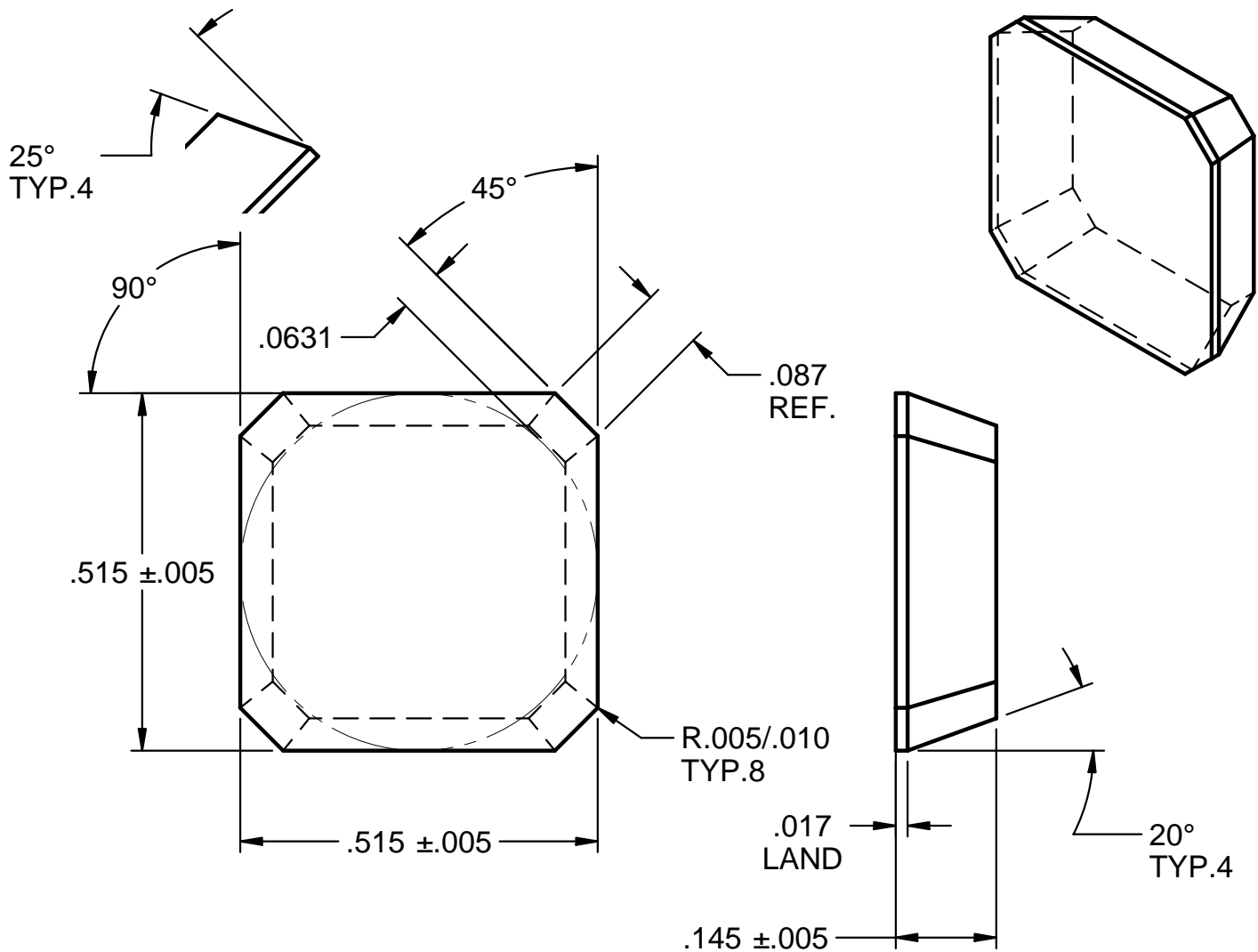
SNSF544



Tungste-Met

Style LX-0372-2

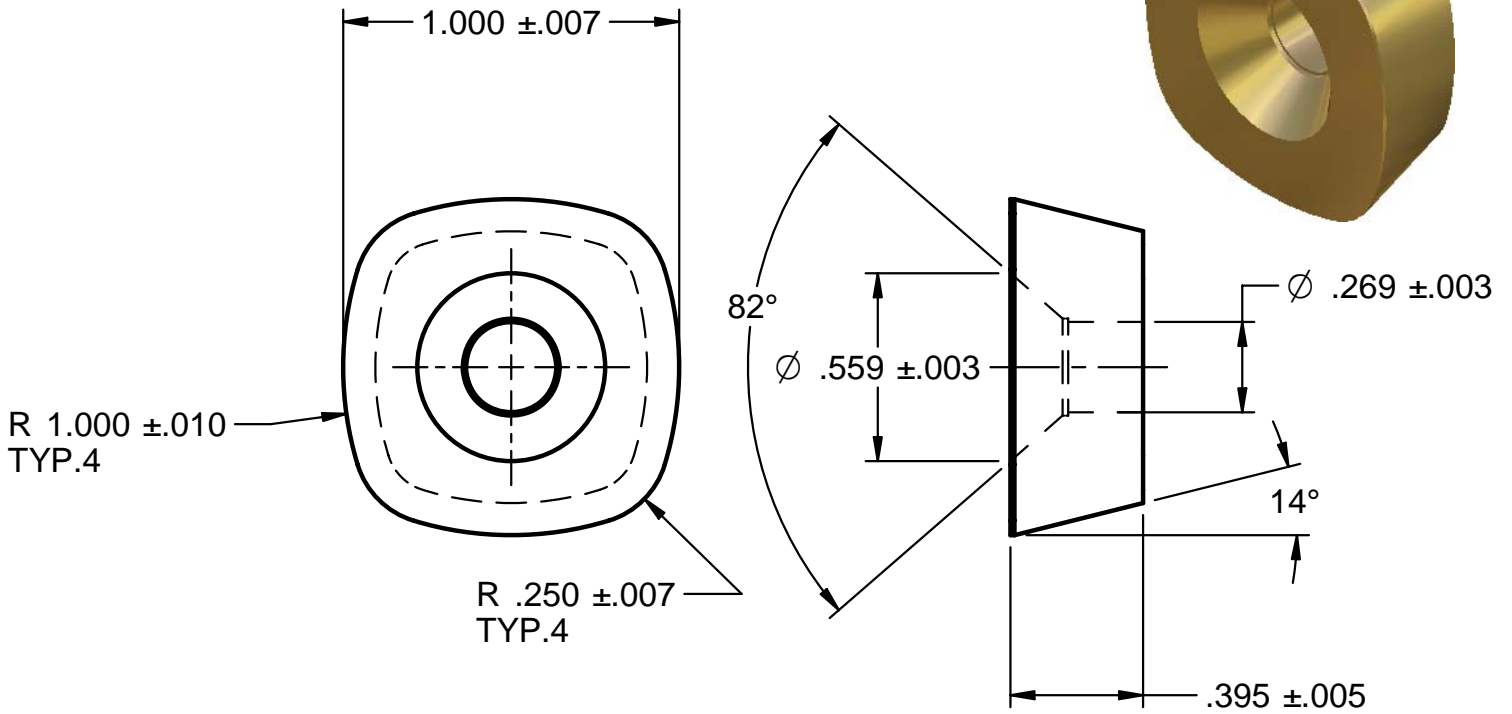
SERN42A



Tungste-Met

Style

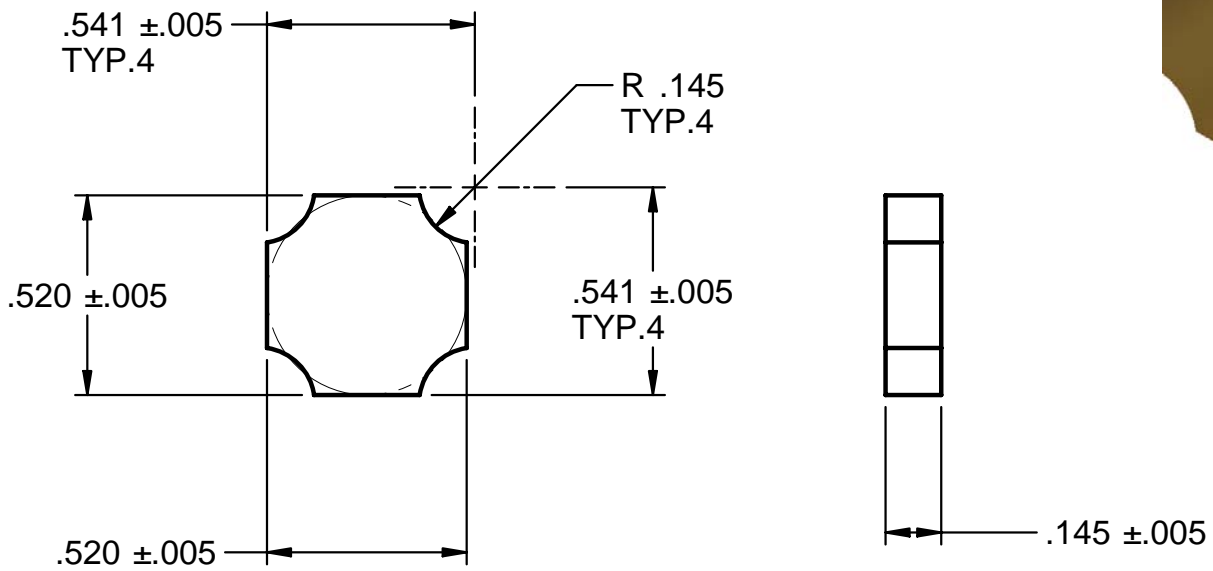
R-13790



Tungste-Met

Style

A-2485-A

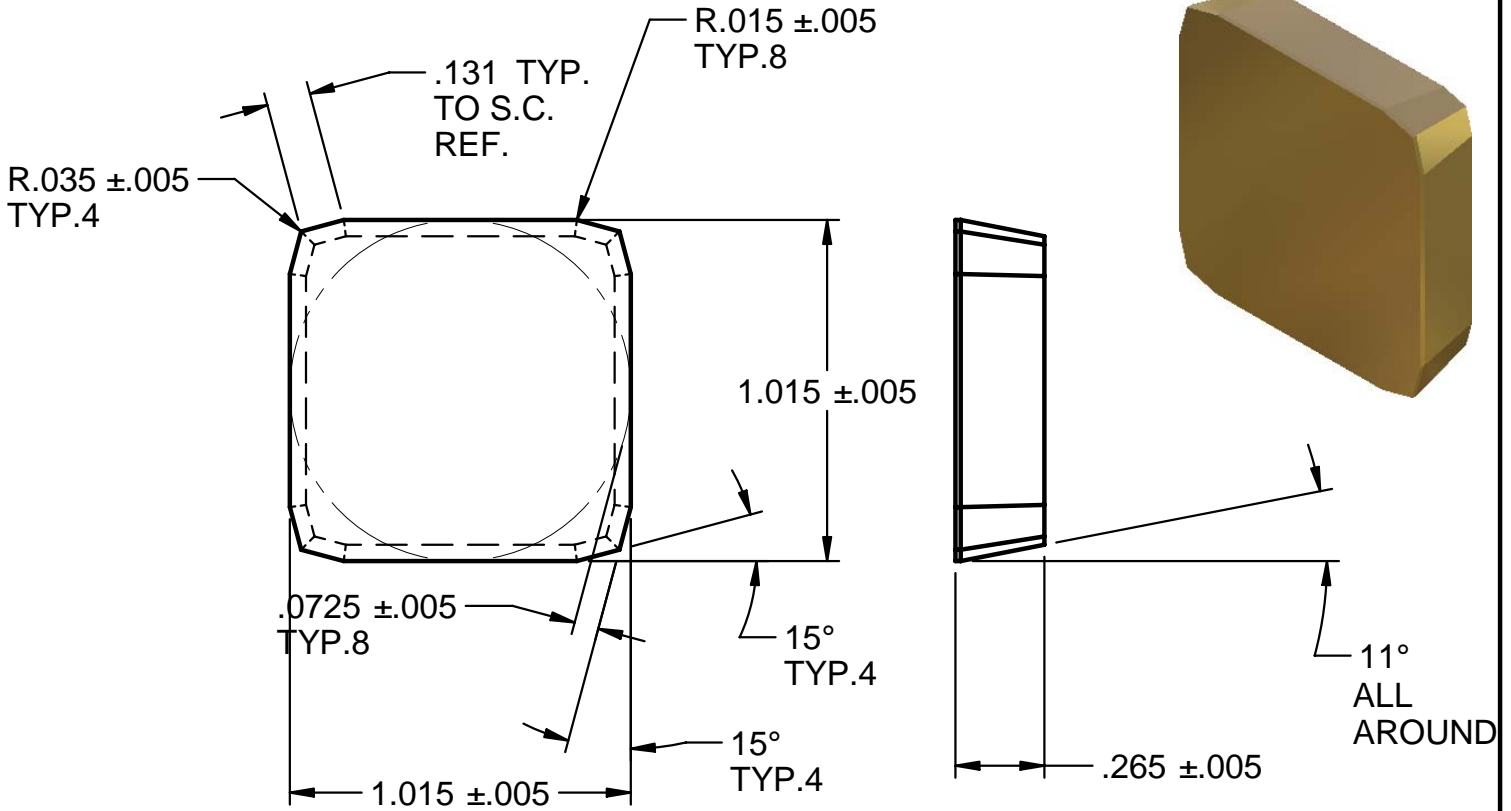


Tungste-Met

Style

A-1507-B

SPR84L8

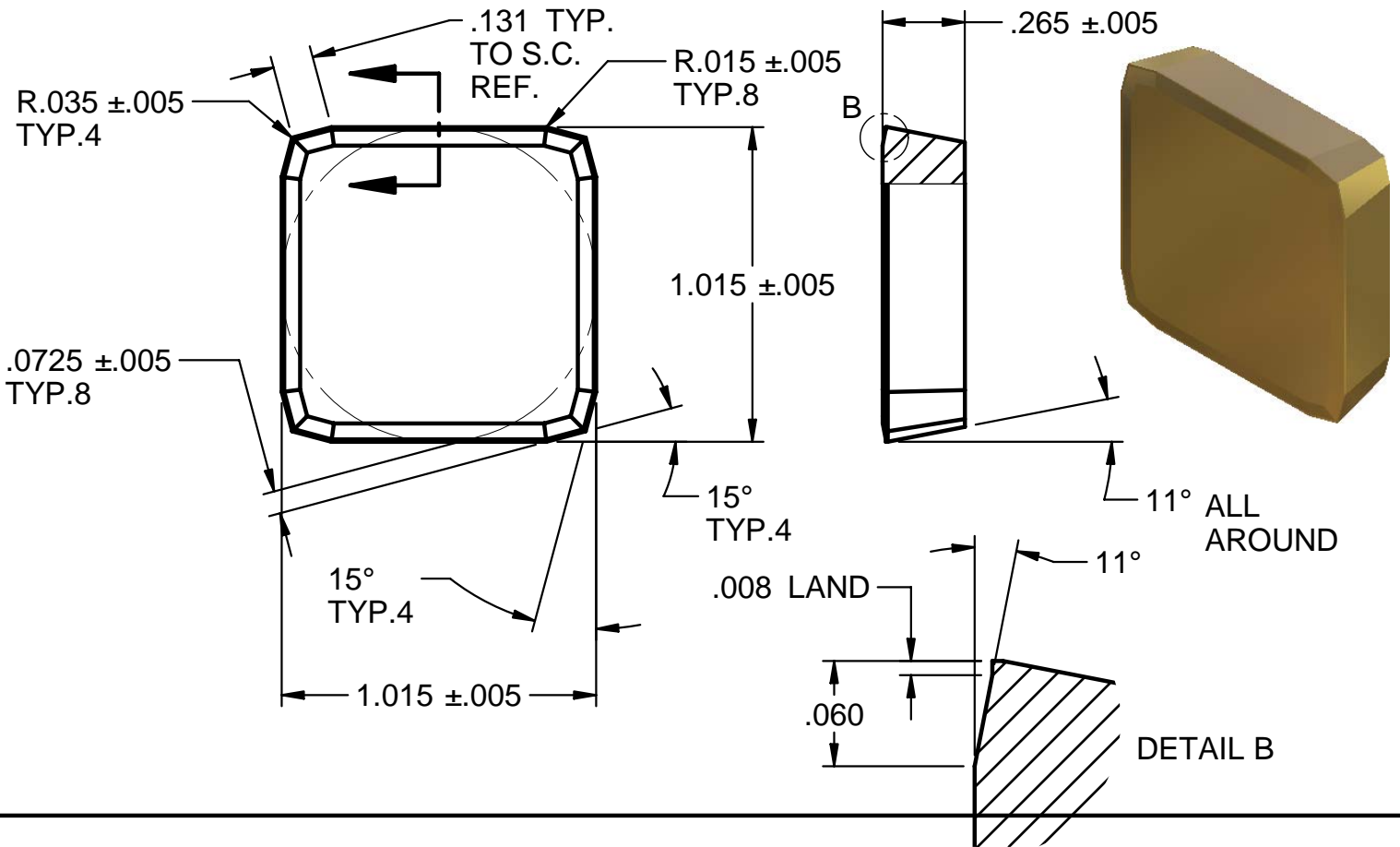


Tungste-Met

Style

A-1507-D

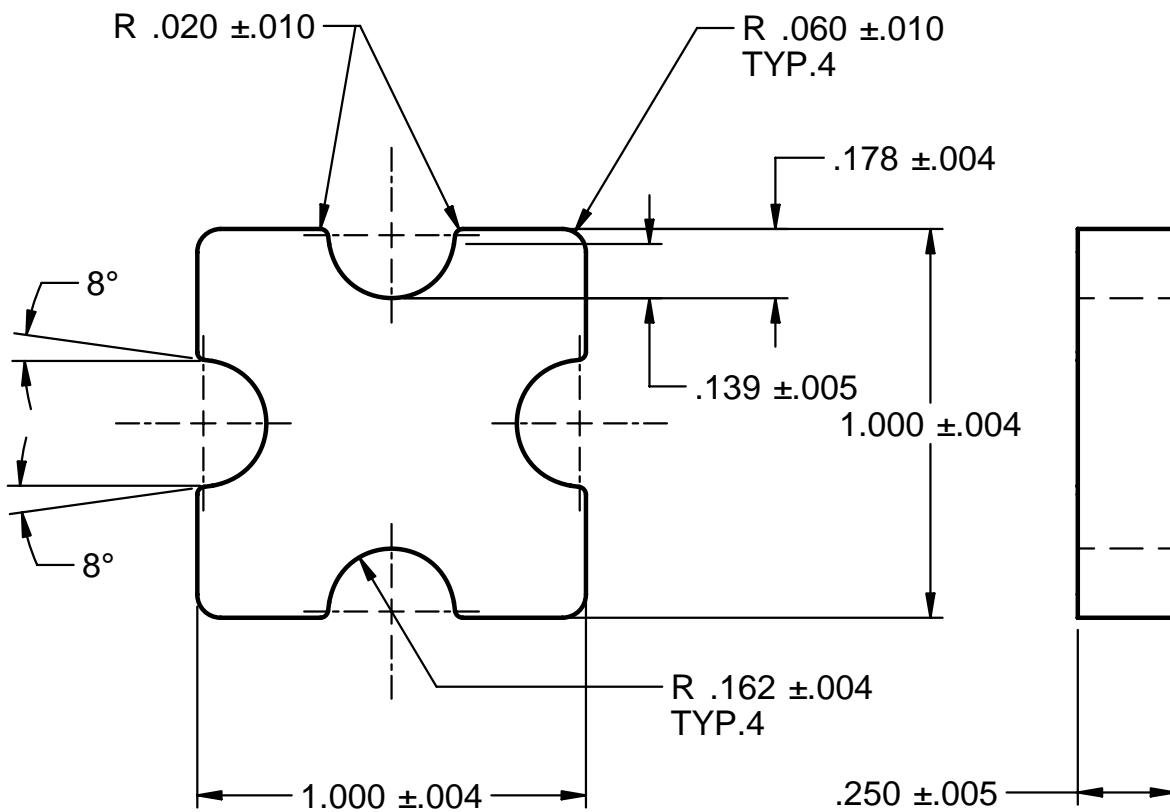
SPR84L8T



Tungste-Met

Style

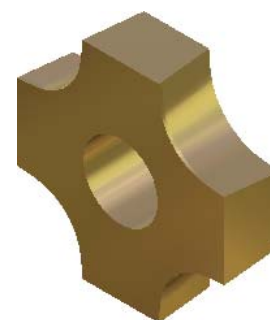
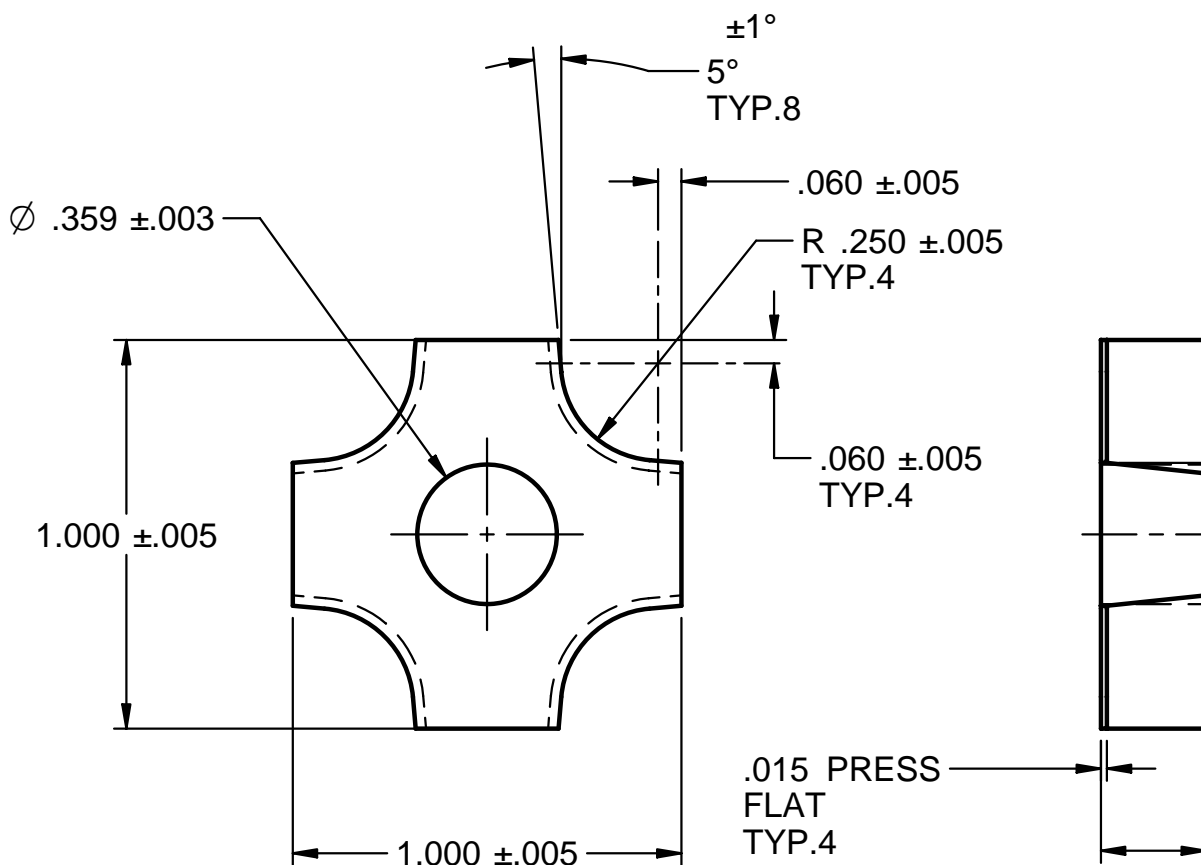
A-2089B



Tungste-Met

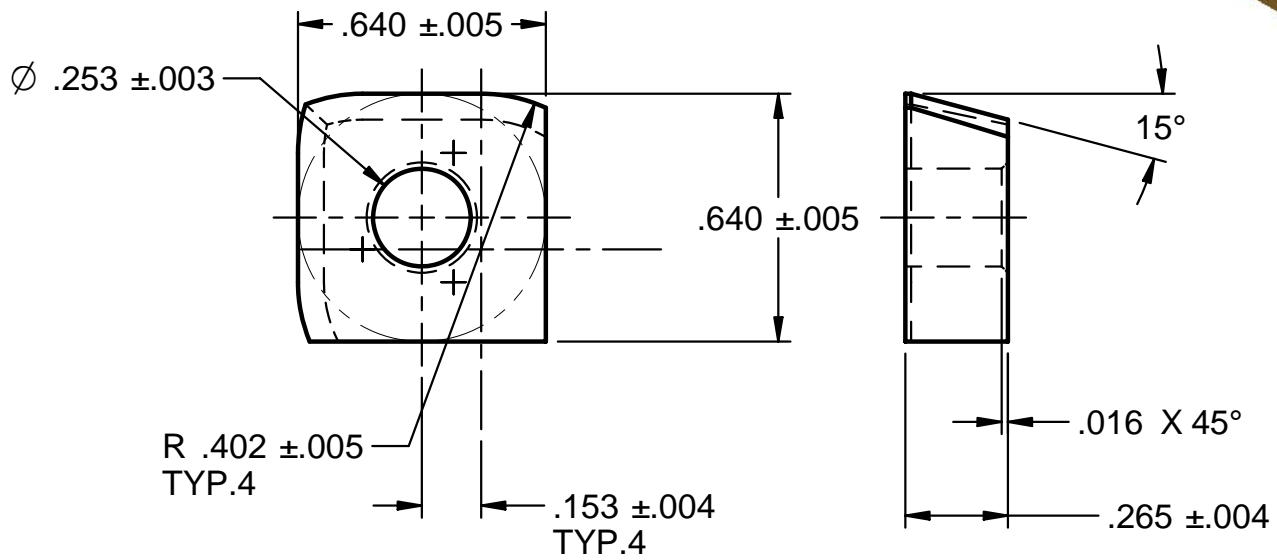
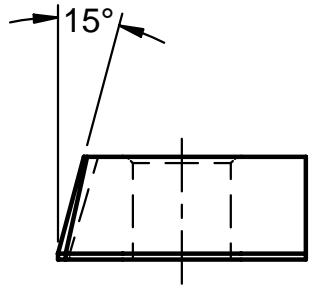
Style

A-2442A



Tungste-Met

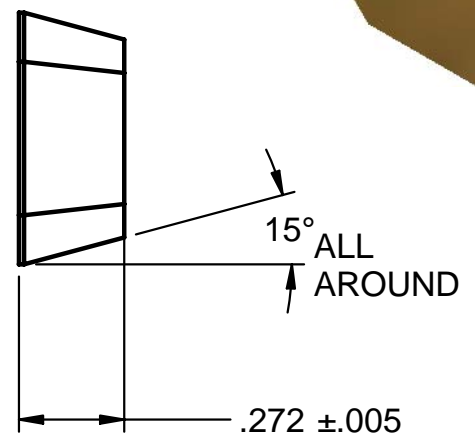
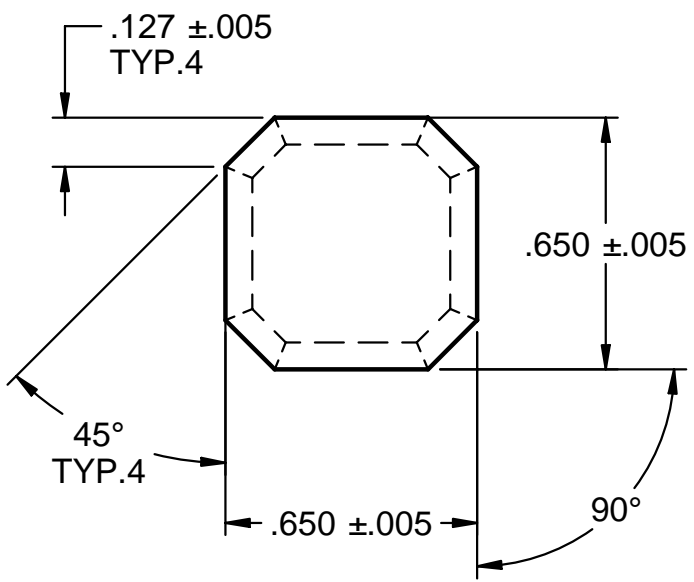
Style A-1923-D



Tungste-Met

Style A-2430-A

SDR54-A

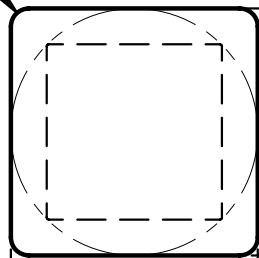


Tungste-Met

Style

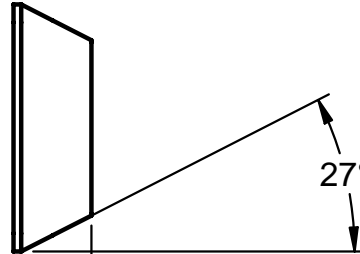
SXR533

R .047
TYP.4



.643 ±.005

.643 ±.005



27°

.203 ±.005



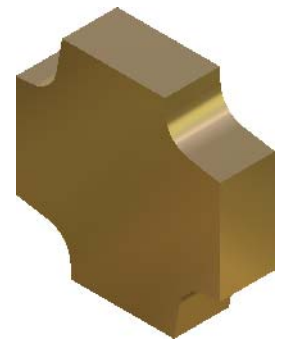
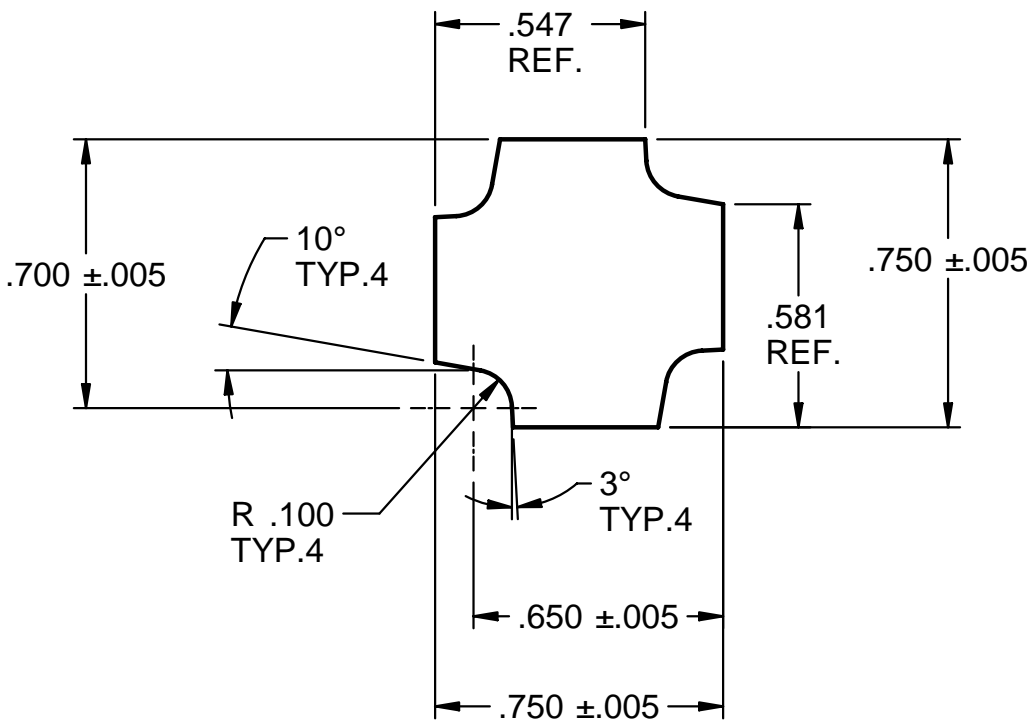
Tungste-Met

Style

R-16291

D-16917-P1
L102

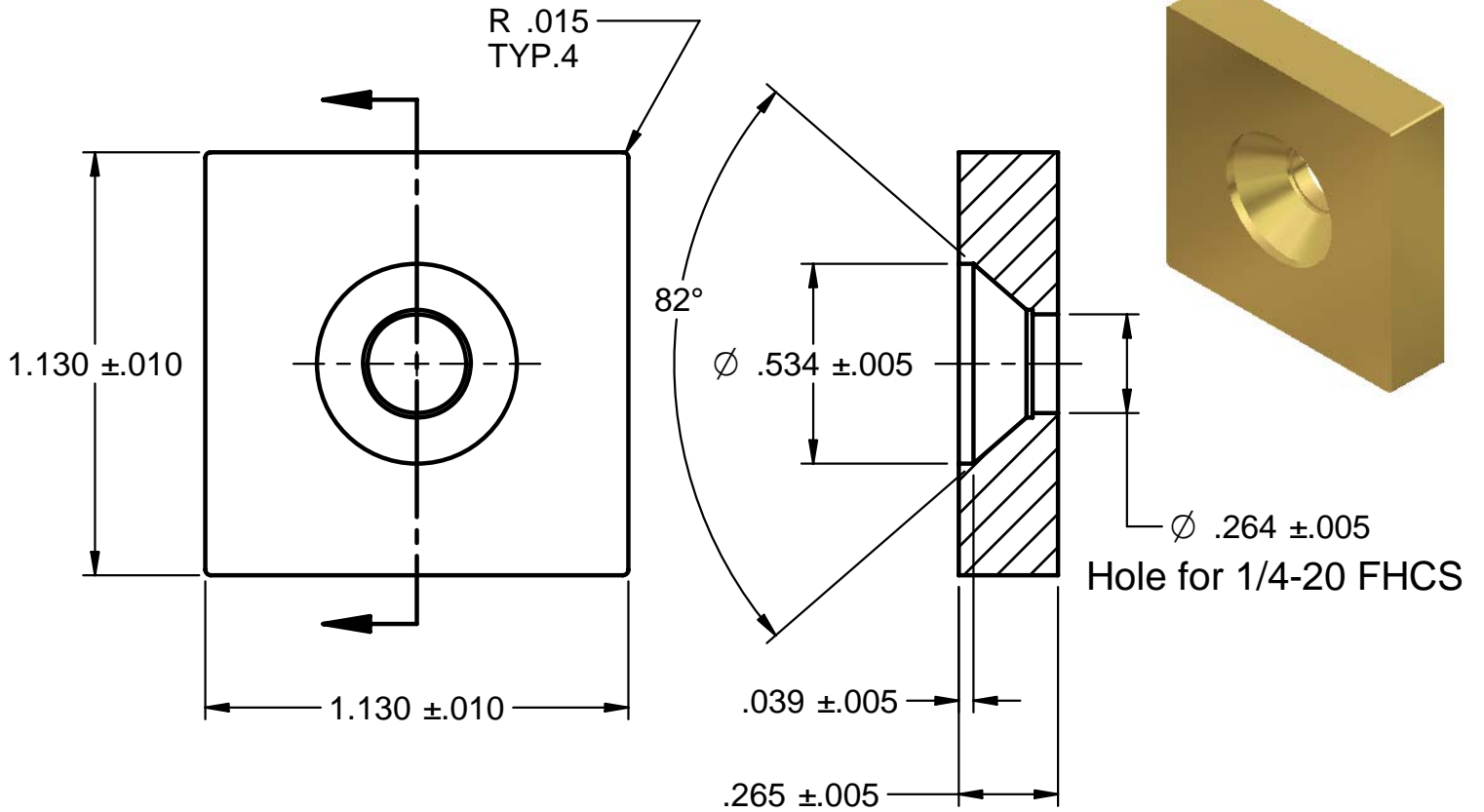
2539-3552-03



Tungste-Met

Style A-1788-B

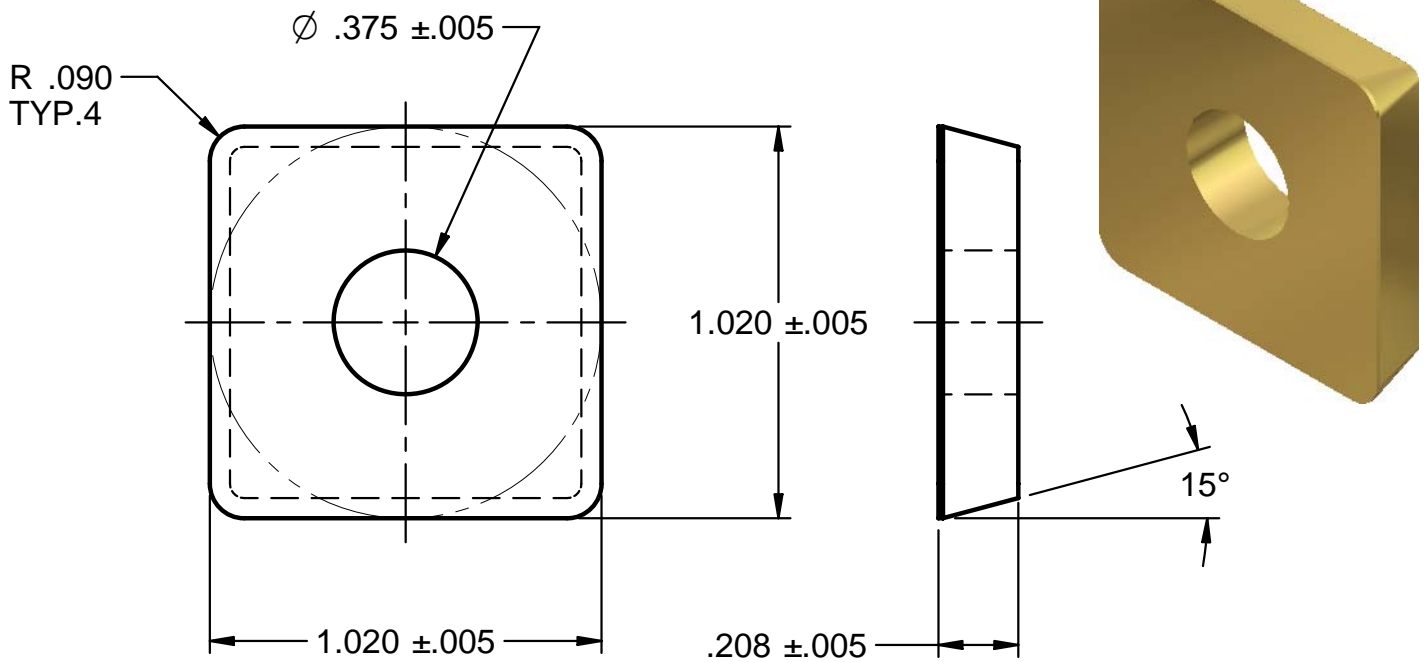
D-19224-P1



Tungste-Met

Style R-15381-2-3

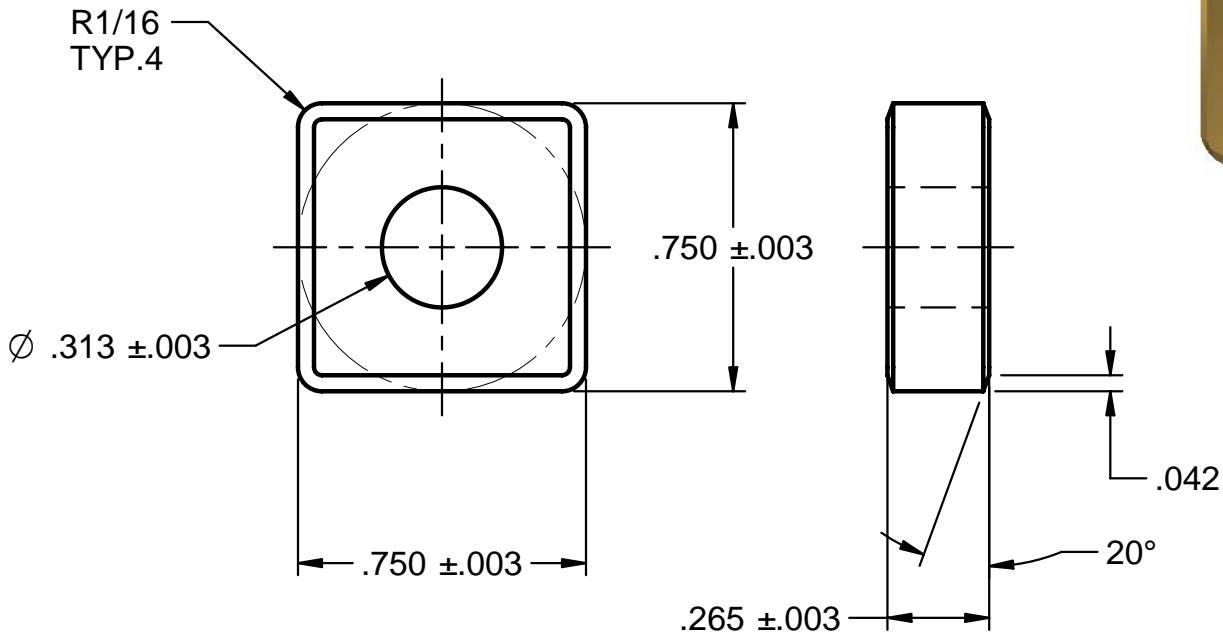
D-19071-P1



Tungste-Met

Style SNSA644T020-20

D-16240-P7 C217



Tungste-Met

Style SNRX320

D-05509-P4 A60

